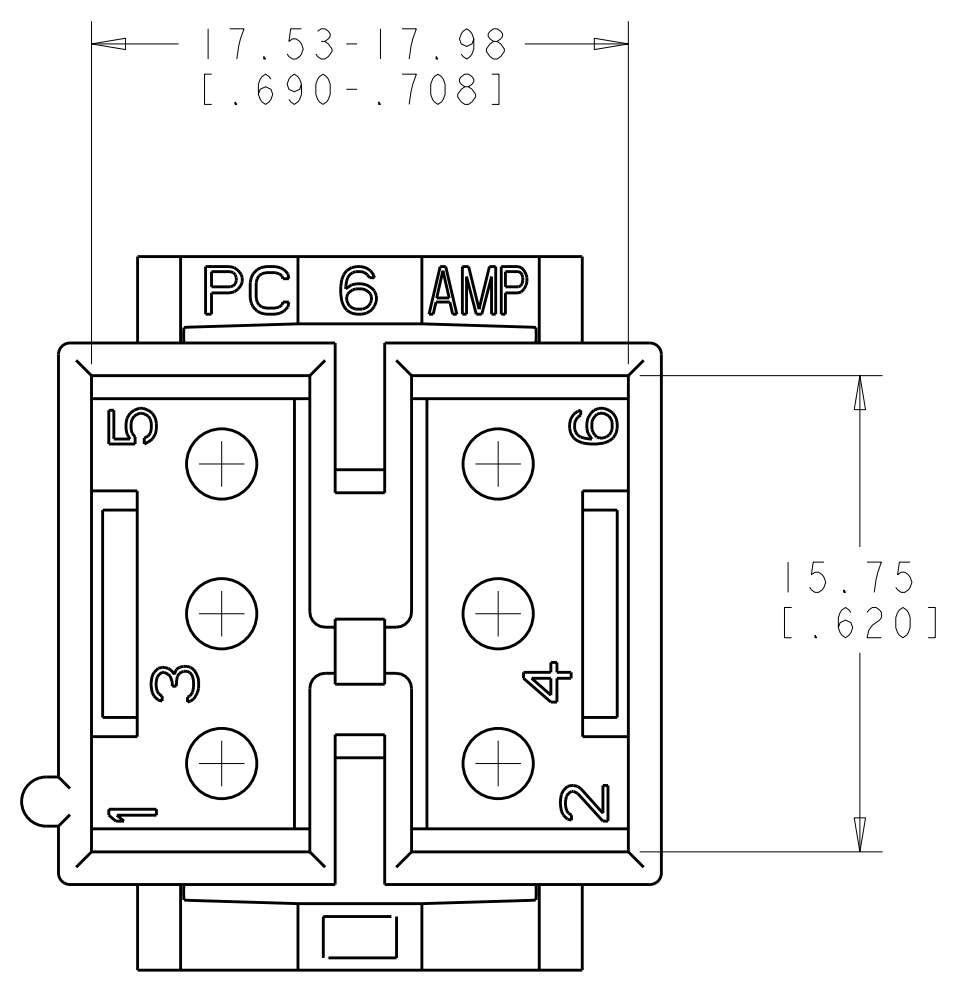
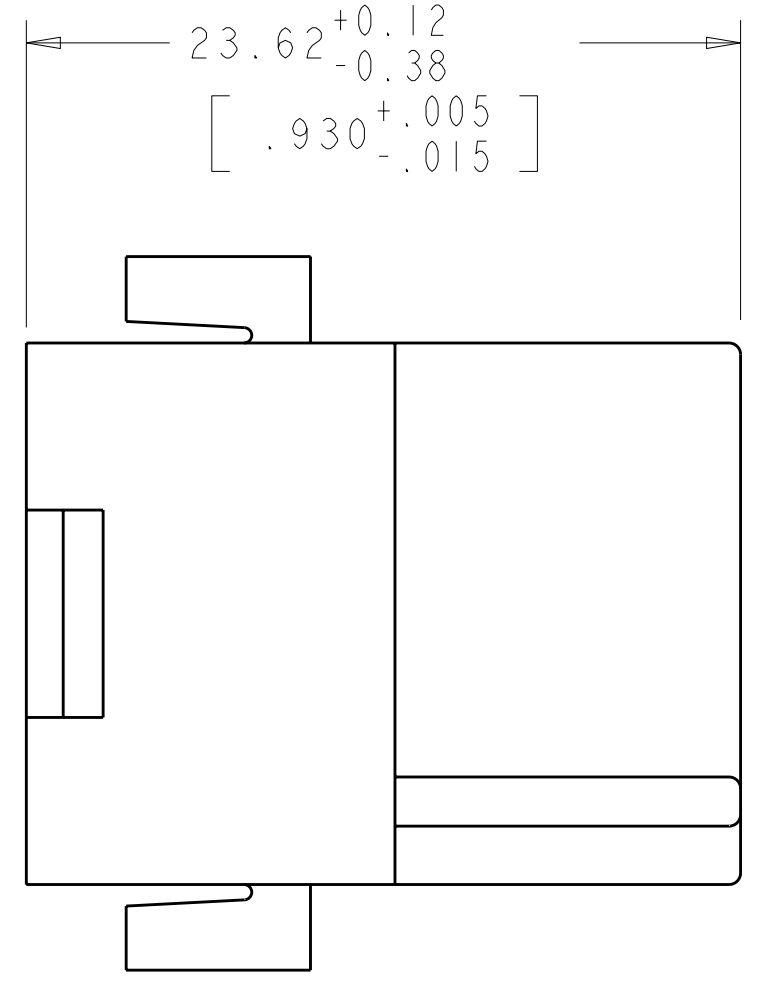
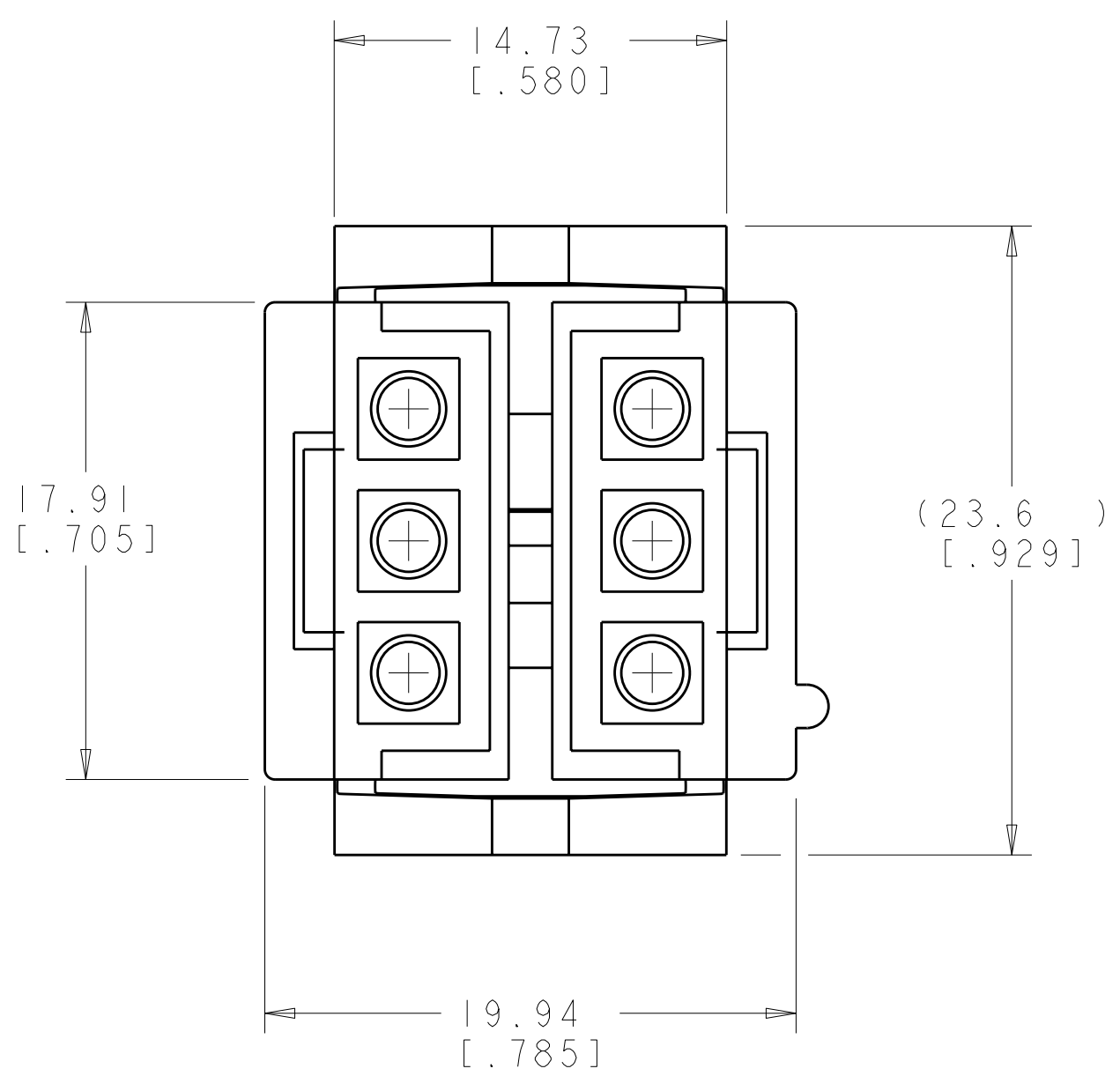
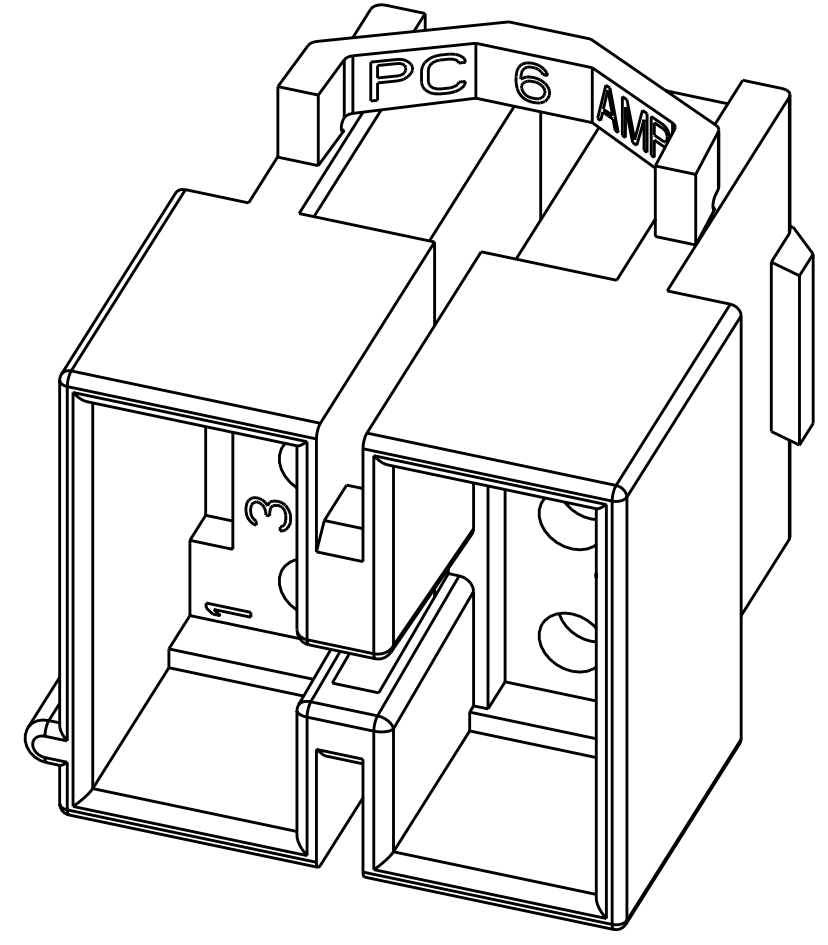
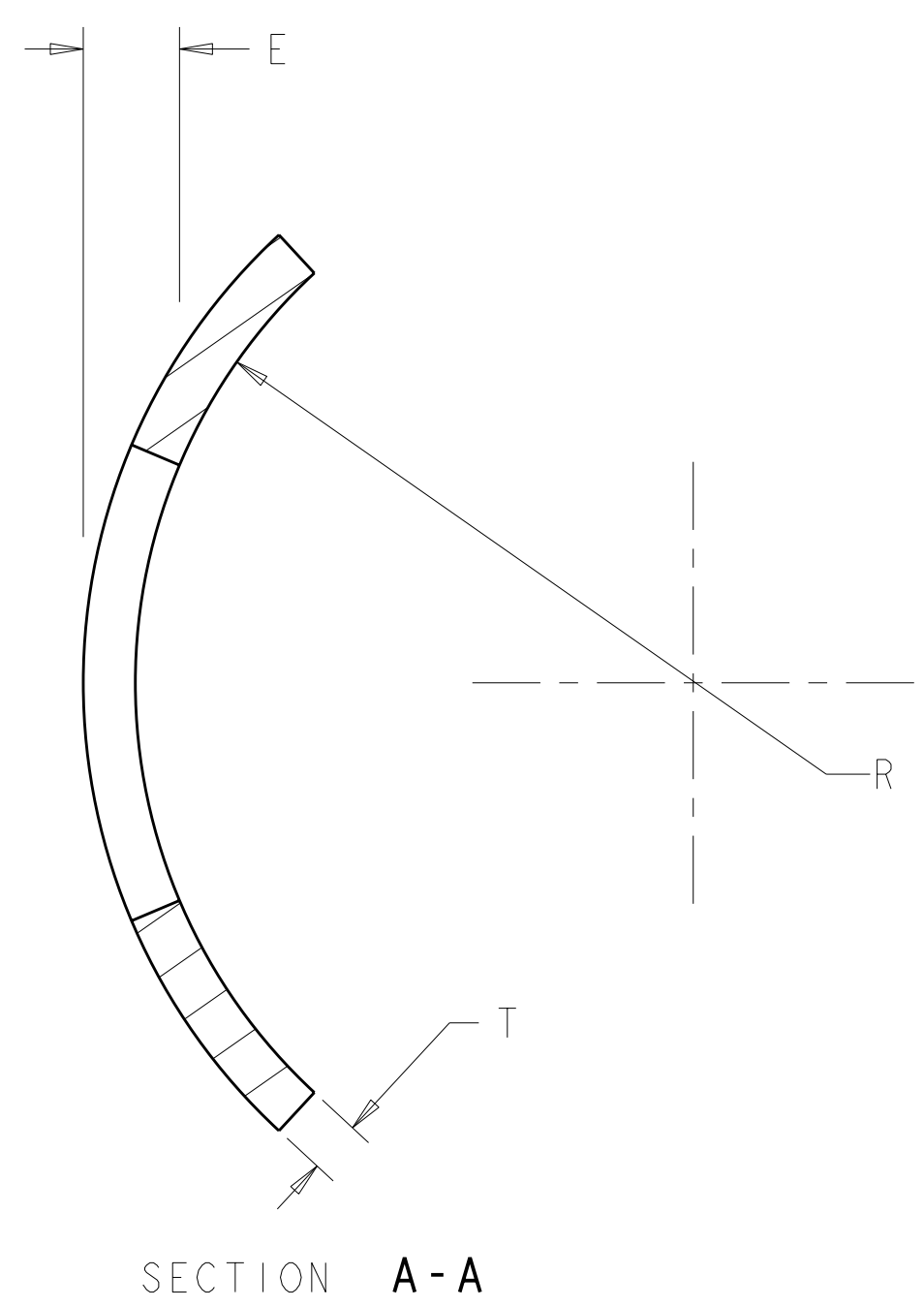
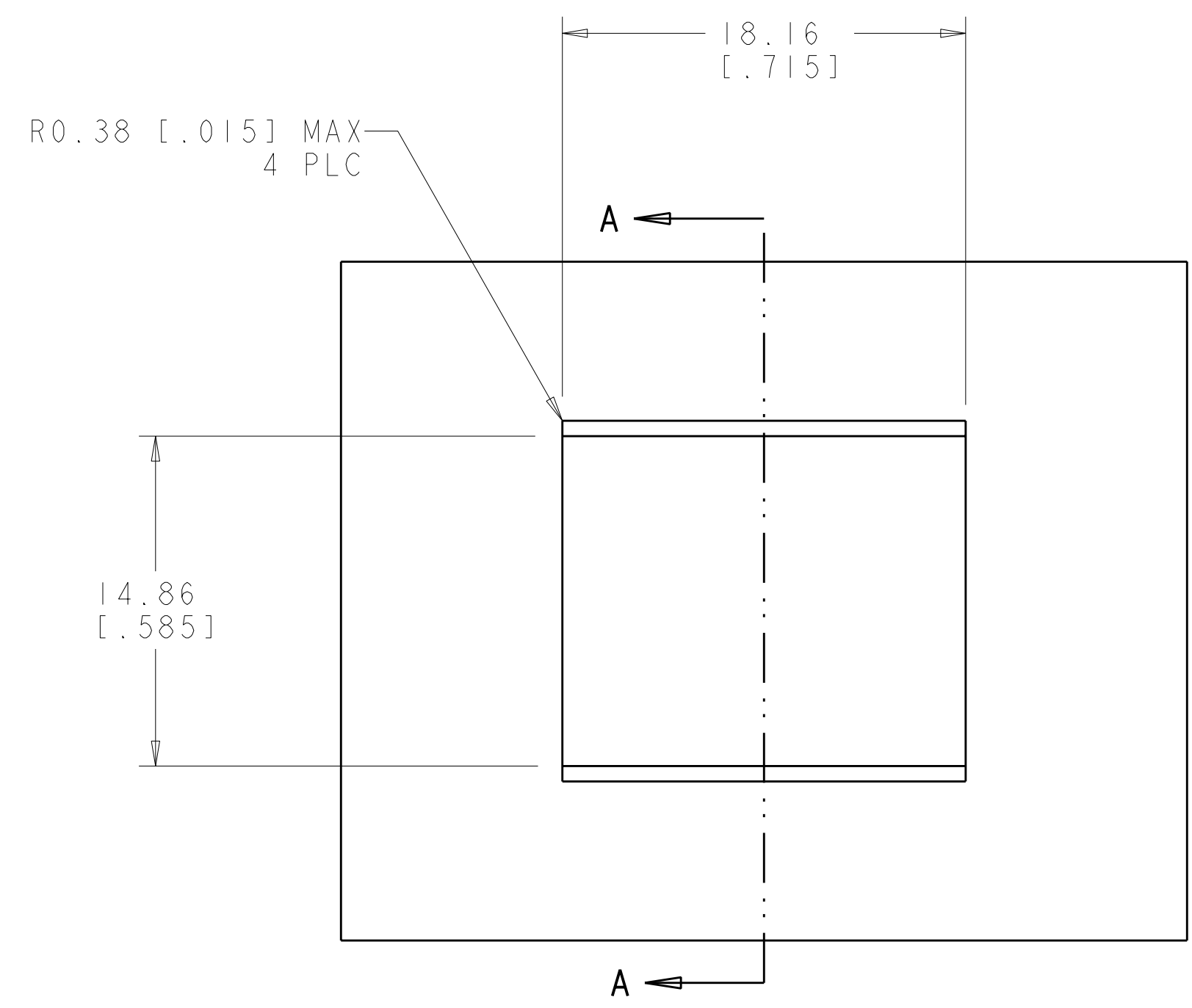
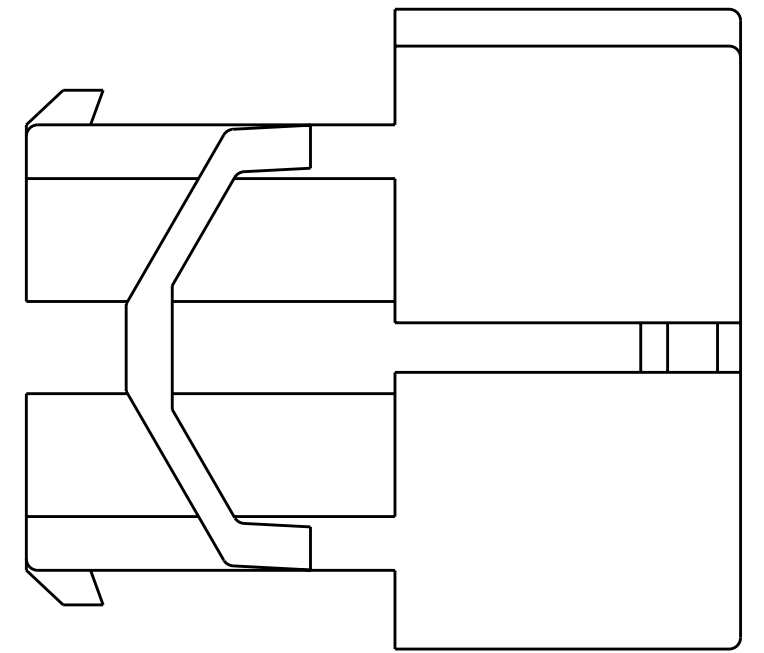


LOC	DIST	REVISIONS					
		P	LT#	DESCRIPTION	DATE	DWN	APVD
CM	00	AE		ECO-07-026122	05NOV2007	KW	CC
		AF		ECO-07-028172	28NOV2007	KW	CC



1. TO BE USED WITH COMMERCIAL MATE-N-LOK™ PINS.
2. TO BE USED WITH PLUG 480270.
3. RECOMMENDED PANEL THICKNESS "E" IS 1.02-2.54 [.040-.100] AND IS DEPENDENT ON "T" AND "R".
4. HOUSING MUST BE INSERTED IN A ROCKING MANNER.
5. THE PANEL MUST BE PUNCHED SO THAT THE HOUSING ENTERS THE PANEL IN THE SAME DIRECTION AS THE PUNCH.
6. MOTOR MOUNT HOUSINGS MAY BE USED IN FLAT PANELS.



RECOMMENDED CUT OUT

0.192 IN ³	1-480271-0
VOLUME	PART NUMBER

METRIC

<small>THIS DRAWING IS UNPUBLISHED. RELEASED FOR PUBLICATION BY TYCO ELECTRONICS CORPORATION. ALL RIGHTS RESERVED.</small>		DWN: R. WHITAKER 01NOV2007 CHK: C. CASH 01NOV2007 APVD: C. CASH 01NOV2007	Tyco Electronics Harrisburg, PA 17105-3608
DIMENSIONS: mm [INCHES]		PRODUCT SPEC: CAP. APPLICATION SPEC: 6 CIRCUIT, MOTOR MOUNT, COMMERCIAL MATE-N-LOK (TM)	NAME: A100779C=480271 SIZE: CAGE CODE: DRAWING NO: 480271
TOLERANCES UNLESS OTHERWISE SPECIFIED: 0 PLC ± 1 PLC ± 2 PLC ±0.13 (1.005) 3 PLC ± 4 PLC ± ANGLES ±40°30'		FINISH: - MATERIAL: NYLON UL 94V-2 NATURAL	RESTRICTED TO: - SCALE: 4:1 SHEET 1 OF 1 REV: AF
CUSTOMER DRAWING		Tyco Electronics logo	