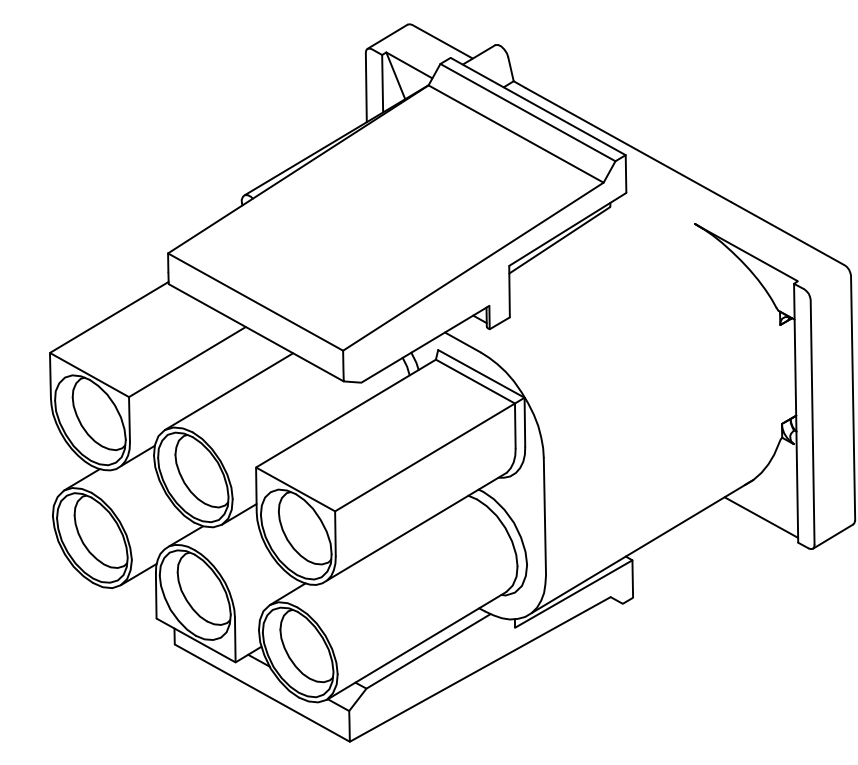


DETAIL A
OPTIONAL CONSTRUCTIONS

- MATES WITH APPROPRIATE UNIVERSAL MATE-N-LOK™ CAP OR HEADER.
 - SMALL NICKS ARE PERMITTED ON THE CIRCUIT TOWERS WHICH COULD INCREASE THE INITIAL HOUSING MATING FORCE BY UP TO 4.4 NEWTONS [1.0 LBS]. NO INDIVIDUAL NICKED TOWER SHALL INCREASE THIS FORCE BY OVER 2.2 NEWTONS [.5 LBS].
 - DIMENSIONS SHOWN REPRESENT PRODUCT IN DRY, AS MOLDED, CONDITION. ADDITIONAL 2% GROWTH DUE TO SUBSEQUENT MOISTURE ABSORPTION MAY OCCUR AND SHOULD BE ACCOUNTED FOR.
- △4 FOUR RIBS EQUALLY SPACED, NO SPECIFIC ORIENTATION. NO RIBS OR SIX RIBS EQUALLY SPACED, NO SPECIFIC ORIENTATION, OPTIONAL.
 - △5 UNDERWRITERS RECOGNIZED COMPONENT LOGO AND CSA CERTIFICATION LOGO TO BE LOCATED ONCE EACH ON SIDE OF HOUSING.
 - 6. MANUFACTURING LOCATION ID ON SIDE OF HOUSING (OPTIONAL).
 - △7 TRADEMARK LOCATION (AMP OR TE CONNECTIVITY).
 - △8 OBSOLETE PARTS: OBSOLETE CIS STREAMLINING PER D.RENAUD/D.SINISI

27.43	1.080
20.32	.800
13.97	.550
11.68	.460
0.38	.015
0.13	.005
MM	IN

CONVERSION TABLE



3-DIMENSIONAL MODEL NTS

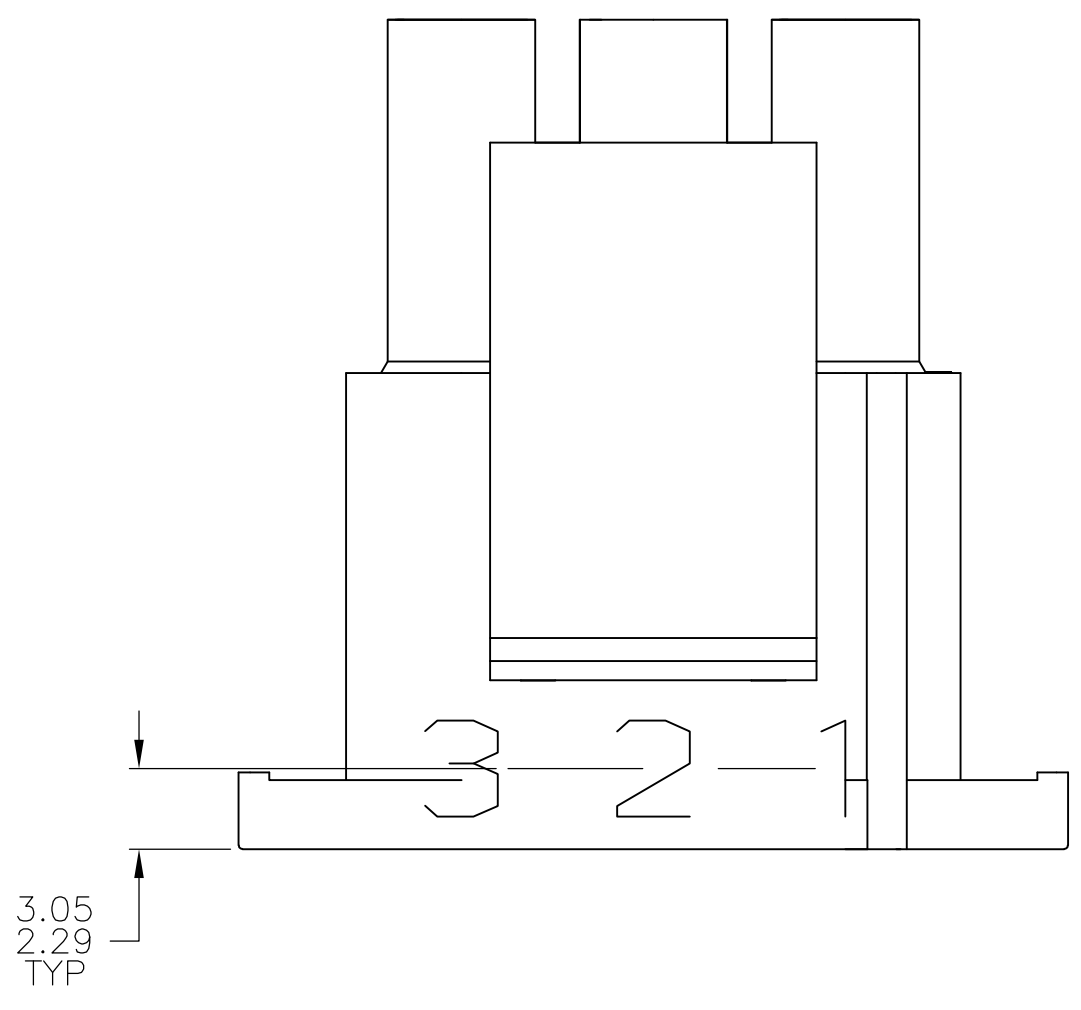
△8 OBSOLETE	BLACK	1-480704-9
△8 OBSOLETE	GRAY	-1-480704-8
△8 SUPERSEDED BY 1-480704-0	BLUE	-1-480704-6
△8 OBSOLETE	GREEN	-1-480704-5
	YELLOW	1-480704-4
△8 OBSOLETE	ORANGE	-1-480704-3
	RED	1-480704-2
	BROWN	1-480704-1
	NATURAL	1-480704-0
	COLOR	PART NUMBER

THIS DRAWING IS A CONTROLLED DOCUMENT.

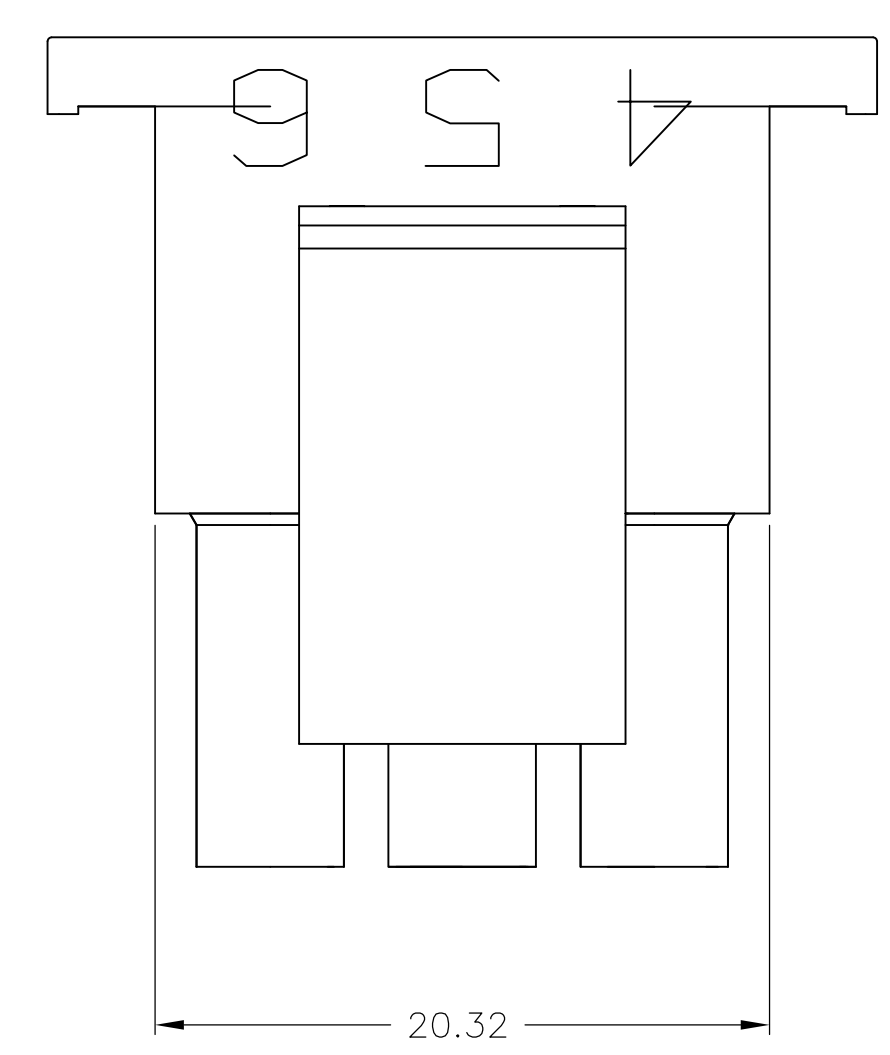
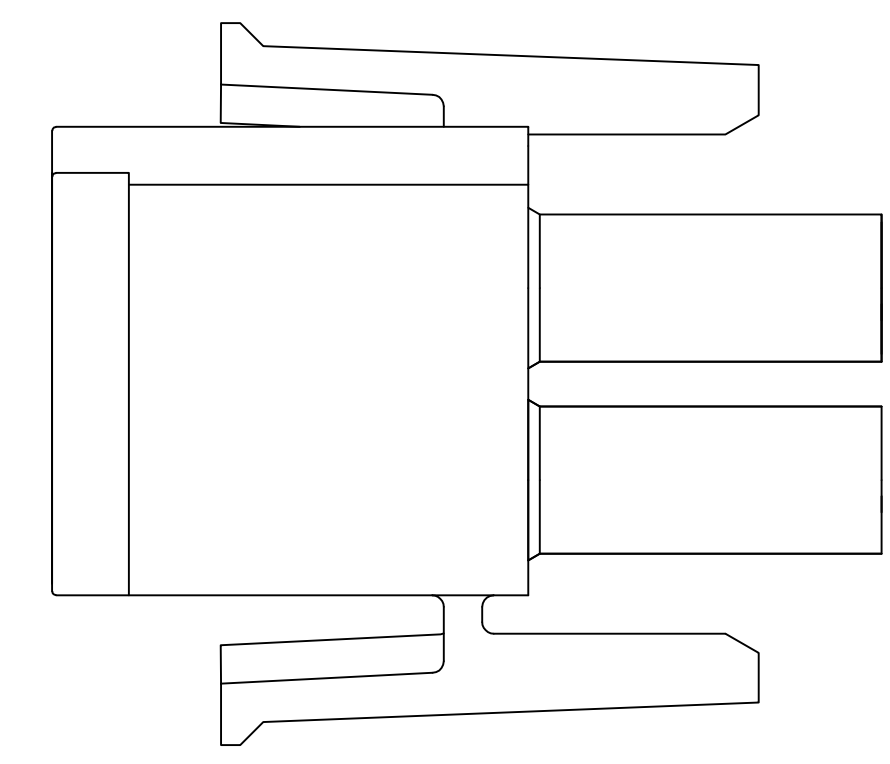
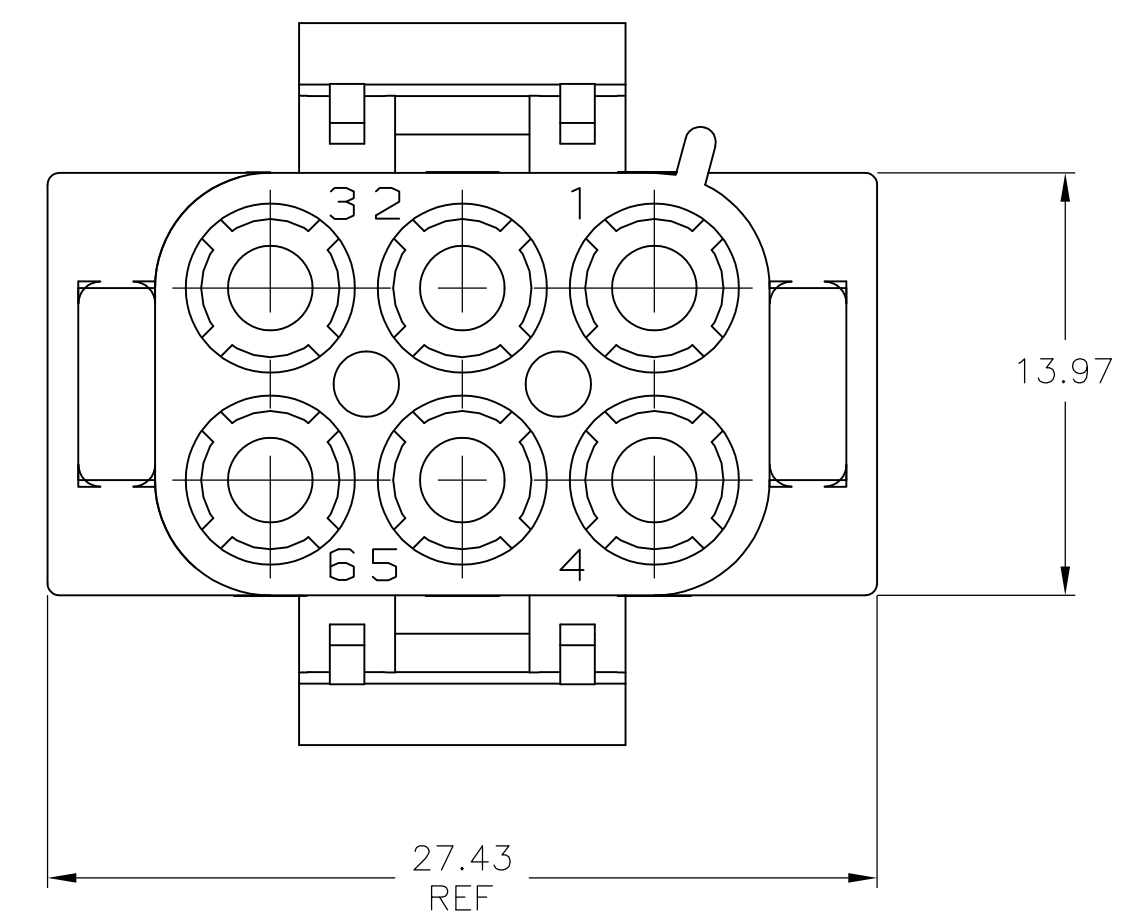
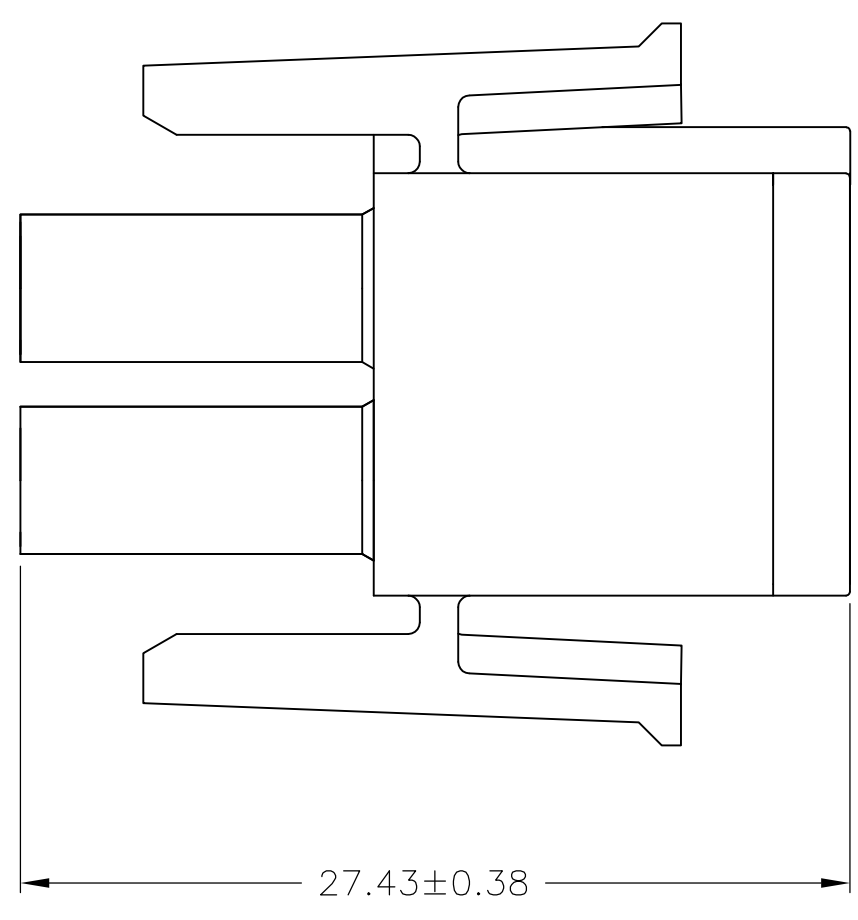
DIMENSIONS: mm	TOLERANCES UNLESS OTHERWISE SPECIFIED:	DIN K. WHITAKER 23MAR05	CHK S. RIDGILL 23MAR05	APVD S. RIDGILL 23MAR05	NAME
0 PLC ± -	1 PLC ± -	2 PLC ± 0.13	3 PLC ± -	4 PLC ± -	ANGLES ± 0°30'
MATERIAL NYLON,UL 94V-2	FINISH -	WEIGHT	SIZE A1	CAGE CODE 00779	DRAWING NO. C=480704
CUSTOMER DRAWING			SCALE 4:1	SHEET 1 OF 2	REV AP4

STE TE Connectivity

PLUG, 6 CIRCUIT, UNIVERSAL MATE-N-LOK(TM)



1. STAMP NUMBERS 3.18 HIGH AT WIRE END OF HOUSING (12 POINT DAVID TYPE).
2. CHARACTERS TO BE POSITIONED ON HOUSING TO BE READ FROM WIRE END ONLY.
3. VIOLET, BLACK, BROWN, AND BLUE COLORED BLOCKS TO BE STAMPED WITH WHITE CHARACTERS. ALL OTHER COLORED BLOCKS TO BE STAMPED WITH BLACK CHARACTERS.



3.05	.120	27.43	1.080
2.29	.090	20.32	.800
0.38	.015	13.97	.550
0.13	.005	3.18	.125
MM	IN	MM	IN

CONVERSION TABLE

NATURAL	2-480704-0
COLOR	PART NUMBER

THIS DRAWING IS A CONTROLLED DOCUMENT.		DWG K. WHITAKER 23MAR05	NAME	
DIMENSIONS:		CHK S. RIDGILL 23MAR05	PLUG, 6 CIRCUIT, UNIVERSAL MATE-N-LOK(TM)	
TOLERANCES UNLESS OTHERWISE SPECIFIED:		APPV S. RIDGILL 23MAR05	APPLICATION SPEC	
0. PLC ± -		SIZE		
1. PLC ± -		CAGE CODE		
2. PLC ± 0.13		DRAWING NO		
3. PLC ± -		RESTRICTED TO		
4. PLC ± -		A1 00779		
ANGLES ± 0°30'		C=480704		
MATERIAL	FINISH	WEIGHT	CUSTOMER DRAWING	
-	-	-	SCALE 4:1	SHEET 2 OF 2