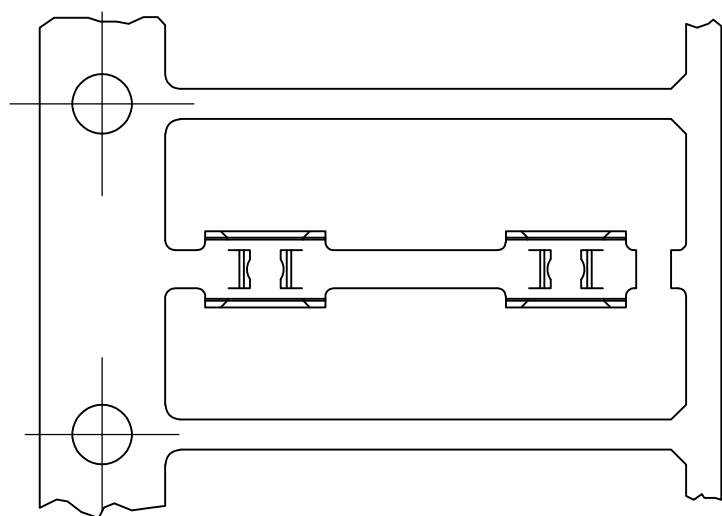
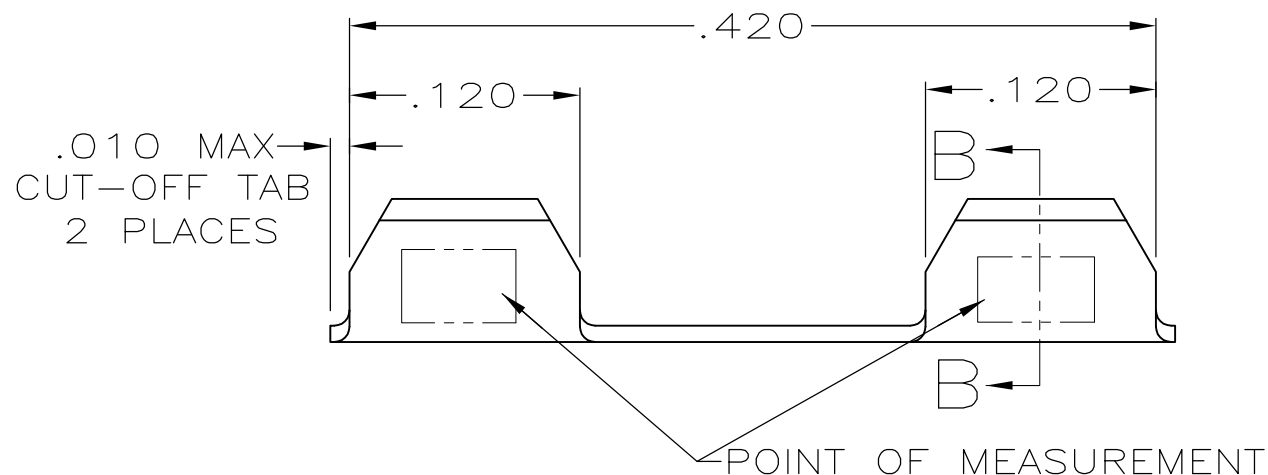


THIS DRAWING IS UNPUBLISHED. RELEASED FOR PUBLICATION
 © COPYRIGHT BY TYCO ELECTRONICS CORPORATION. ALL RIGHTS RESERVED.

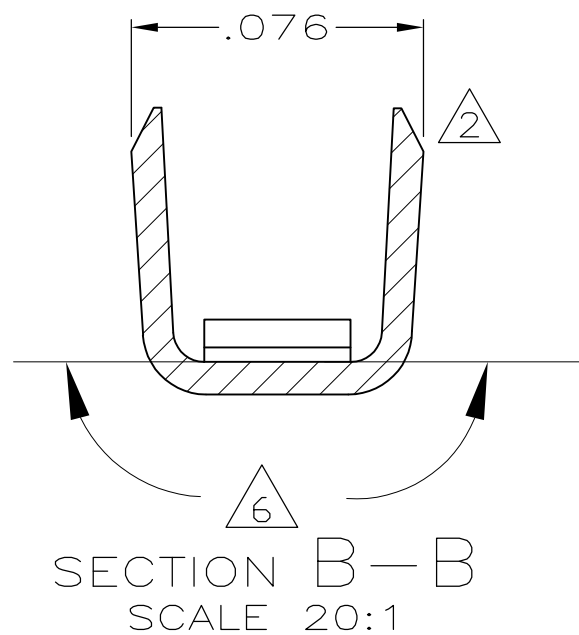
LOC	DIST	REVISIONS					
		P	LTR	DESCRIPTION	DATE	DWN	APVD
GP	00		H1	REVISED PER ECO-09-021510	09SEP09	KK	AEG
			H2	REVISED PER ECO-12-011709	26JUN12	RW	SY



- 1 .000100-.000200 BRIGHT TIN-LEAD OVER .000050 MIN. NICKEL.
- 2 SPLICE WILL ACCOMMODATE FLEXIBLE FLAT CABLE .050 OR .062 WIDE CONDUCTORS ON .100 CENTERS (CABLE=.015 MAX THK).
- 3 FOR FFC MACHINE.
- 4 GOLD FLASH IN CRIMP BARRELS OVER .000050 MIN NICKEL ON ENTIRE CONTACT.
- 5 OBSOLETE PARTS: OBSOLETE CIS STREAMLINING PER D.RENAUD/D.SINISI
- 6 GOLD PLATING MAY OR MAY NOT BE PRESENT ON THE BOTTOM OF THE CRIMP BARREL IN THIS AREA



REMARKS	FINISH	PART NUMBER
5 OBSOLETE	4	487787-5
	3	487787-4
	1	487787-3
	3	487787-2



THIS DRAWING IS A CONTROLLED DOCUMENT.		DWN J. GALLUCCI 3-23-89	Tyco Electronics Corporation Harrisburg, PA 17105-3608	
DIMENSIONS: INCHES		CHK D.L. ROCKER 3-23-89	NAME	
TOLERANCES UNLESS OTHERWISE SPECIFIED:		APVD 4-6-89 - W.T. PARKER	SPLICE, FFC TO FFC, .100CL	
0 PLC ± -		PRODUCT SPEC 4-6-89 G.D. MILLER	-	
1 PLC ± -		APPLICATION SPEC	-	
2 PLC ± -		114-16002	SIZE A3	CAGE CODE 00779
3 PLC ± .005		WEIGHT -	DRAWING NO	RESTRICTED TO
4 PLC ± -		CUSTOMER DRAWING	C-487787	-
ANGLES ± -		SCALE 10:1	SHEET 1 OF 1	REV H2
MATERIAL PHOS. BRONZE	FINISH SEE TABLE			