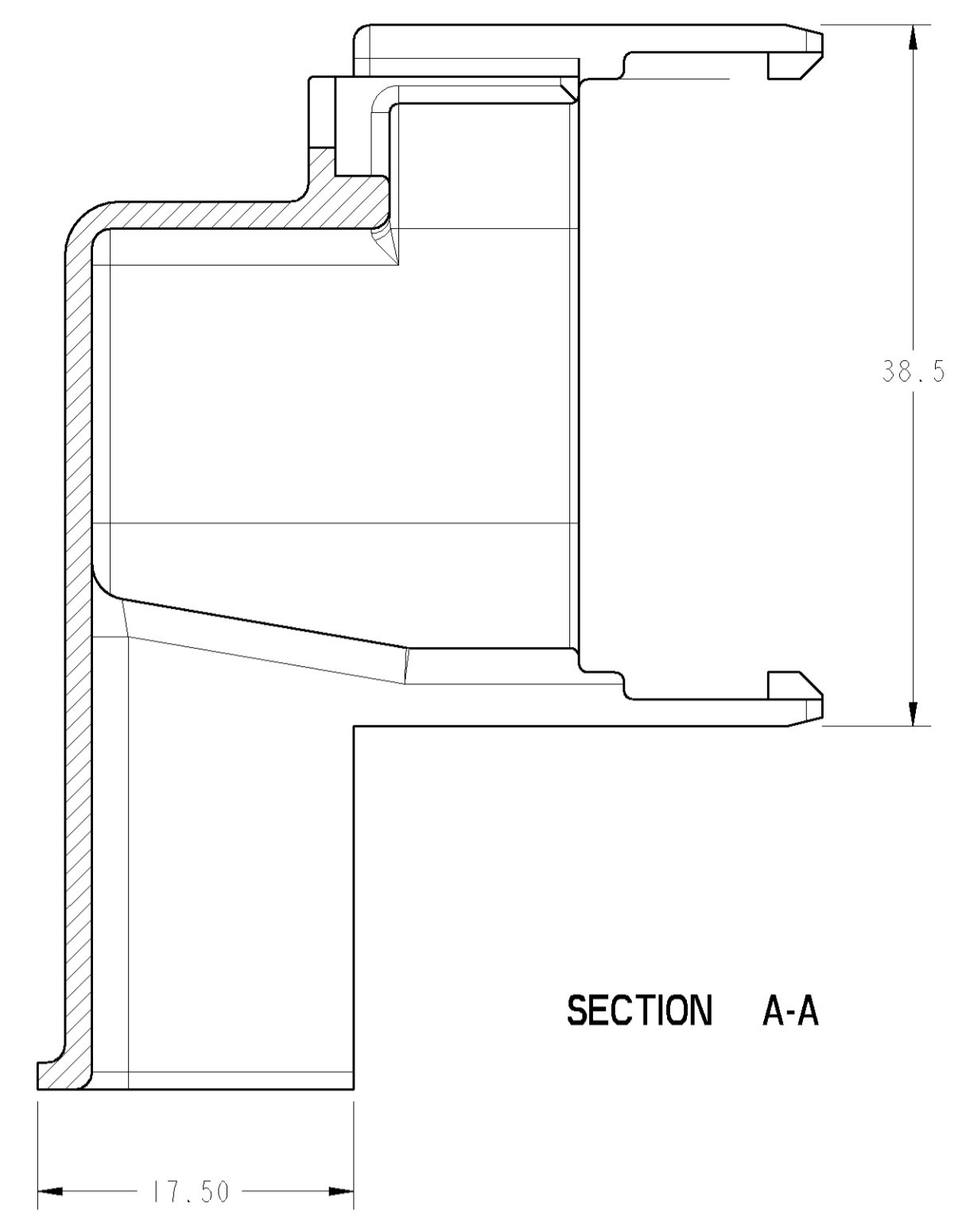
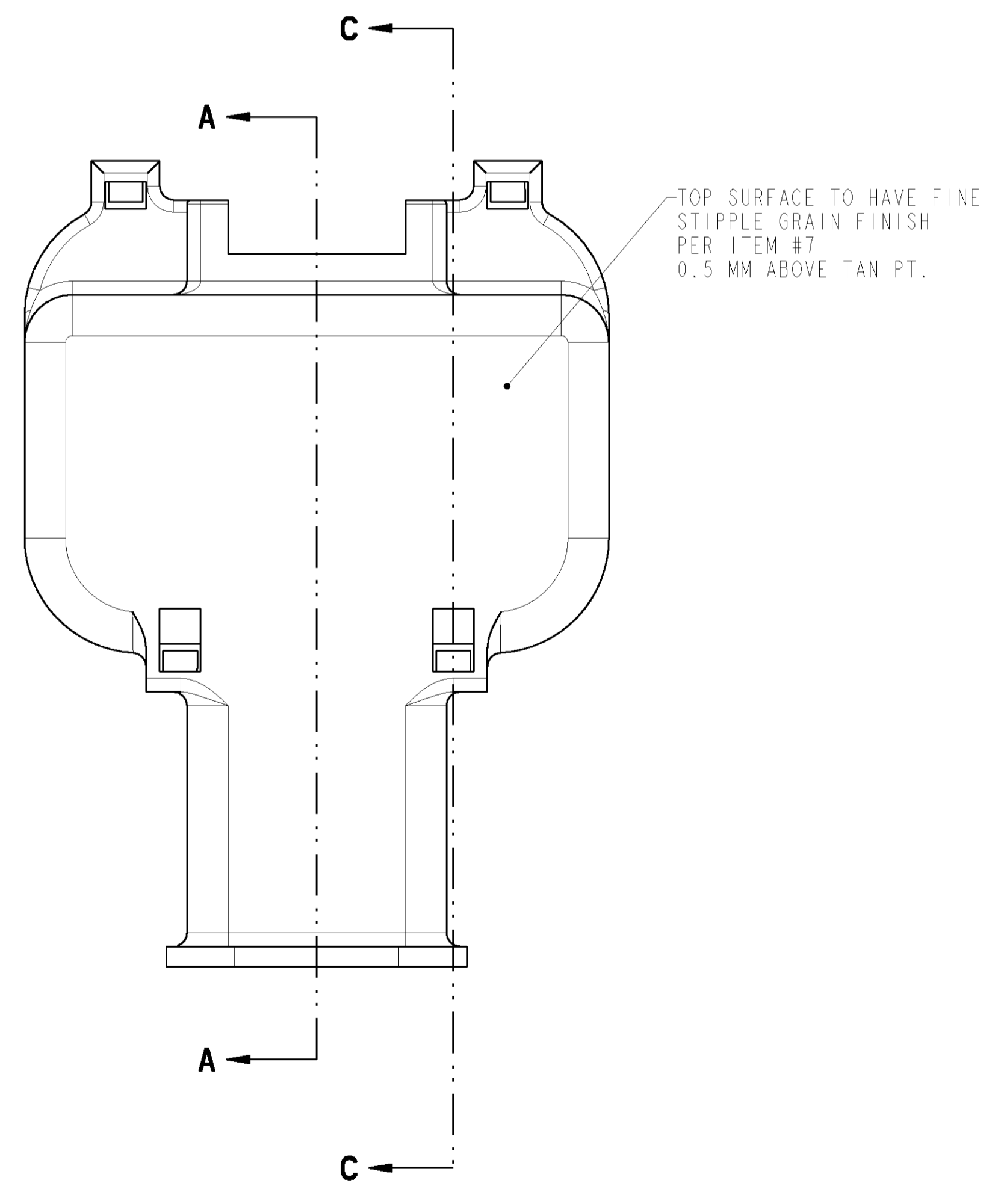
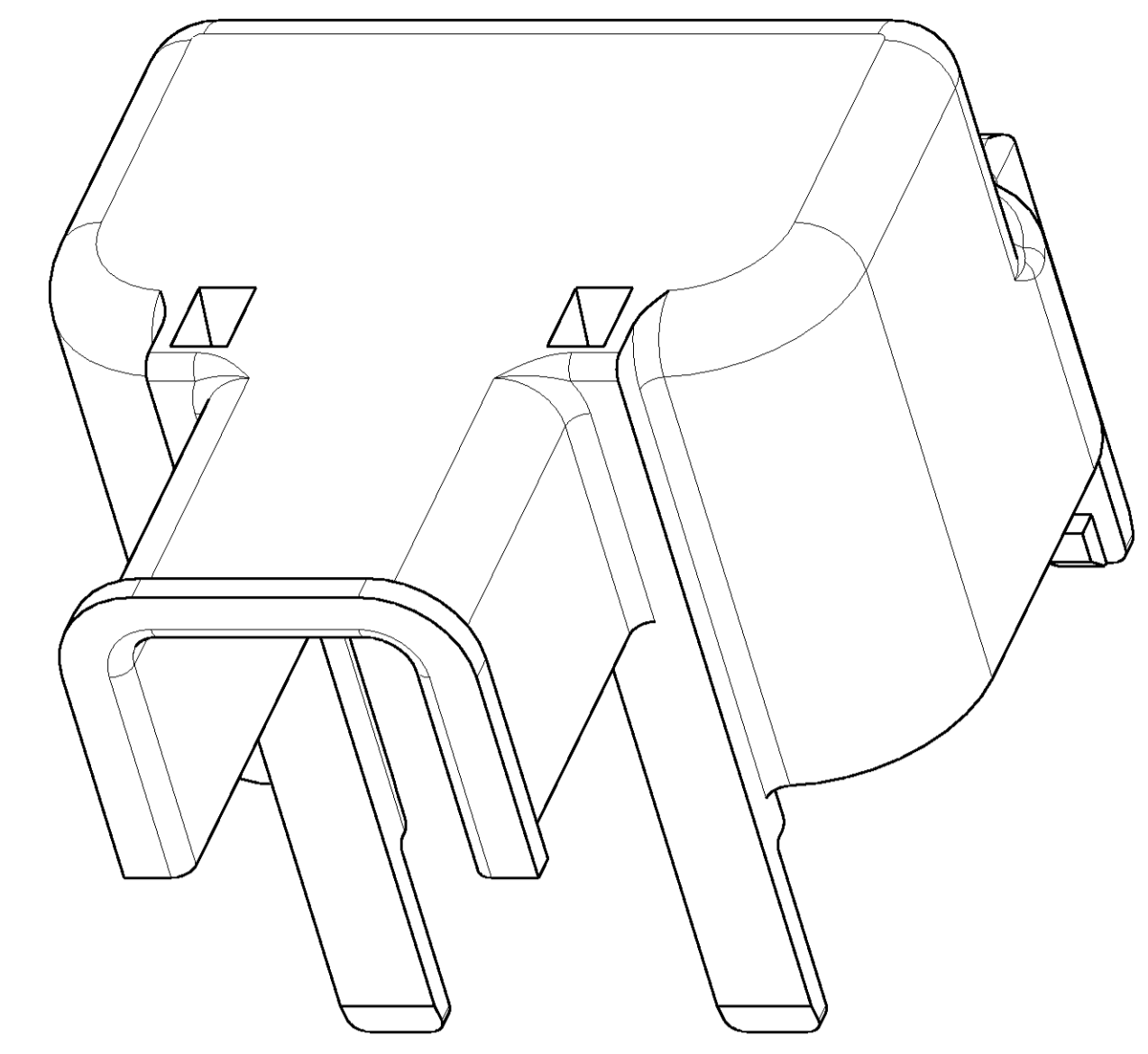
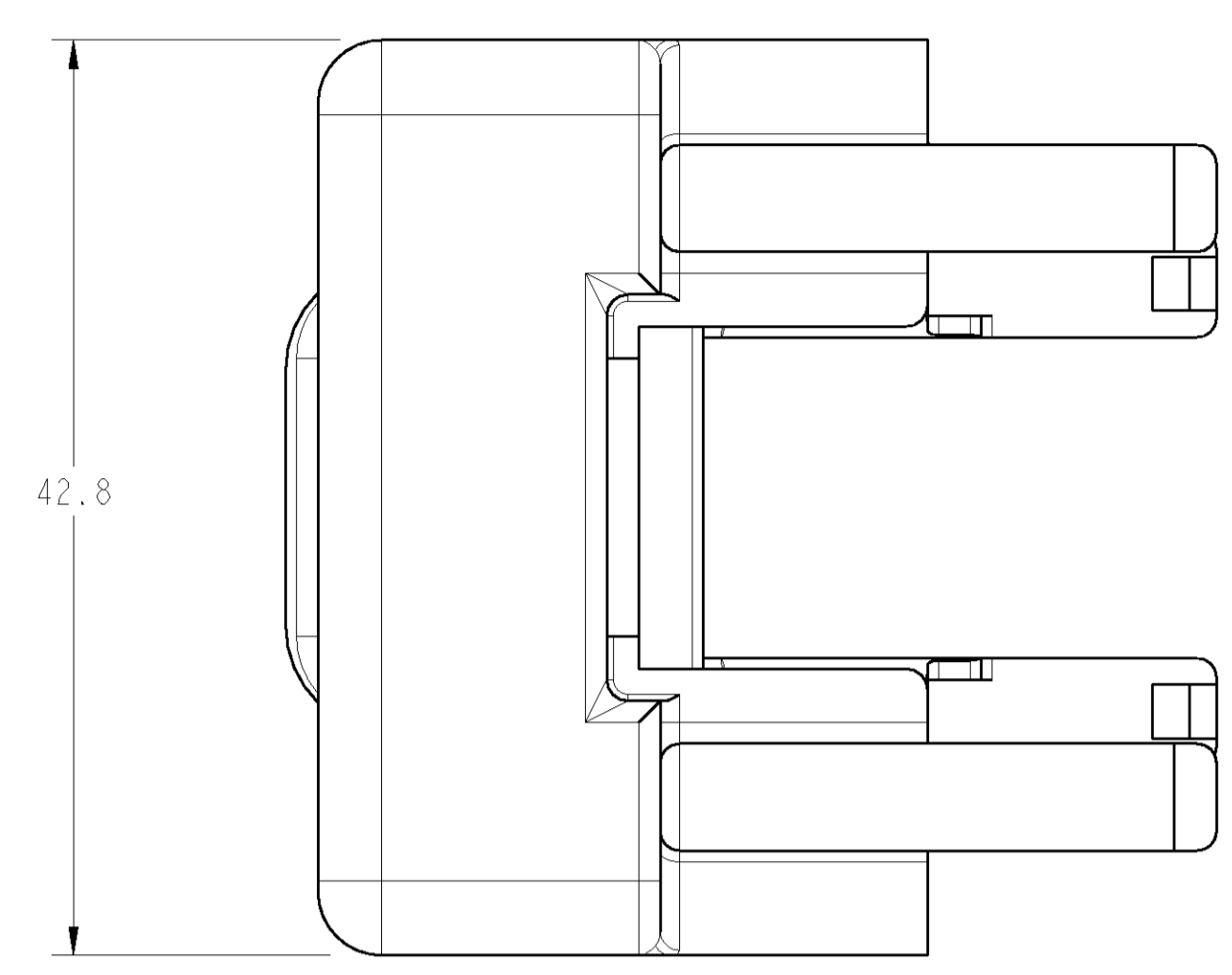


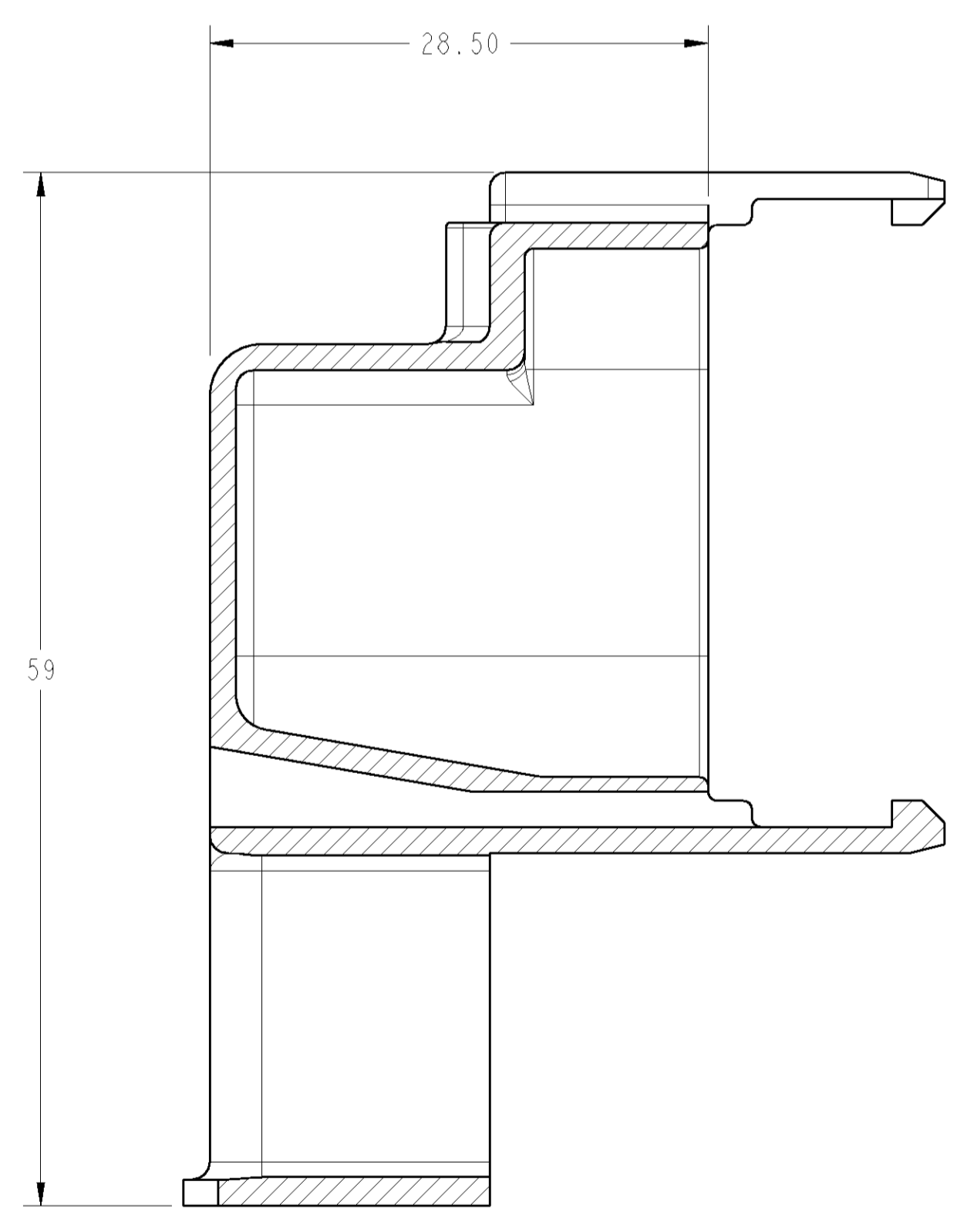
| REV. NO. |     | REVISIONS |                              |           |     |      |
|----------|-----|-----------|------------------------------|-----------|-----|------|
| LOC      | QTY | P. LTR    | DESCRIPTION                  | DATE      | DWN | APVD |
| HK       | 00  | A         | INITIAL RELEASE - EC 0065-03 | 27MAR2002 | SAK | RMP  |
|          |     | B         | REVISED PER EC 0K40-0008-04  | 09FEB2004 | DLD | JLT  |
|          |     | C         | REVISED PER EC 0K40-0326-04  | 14OCT2004 | DLD | KLC  |
|          |     | C1        | REVISED PER EC 0K40-0379-04  | 03NOV2004 | DLD | KLC  |



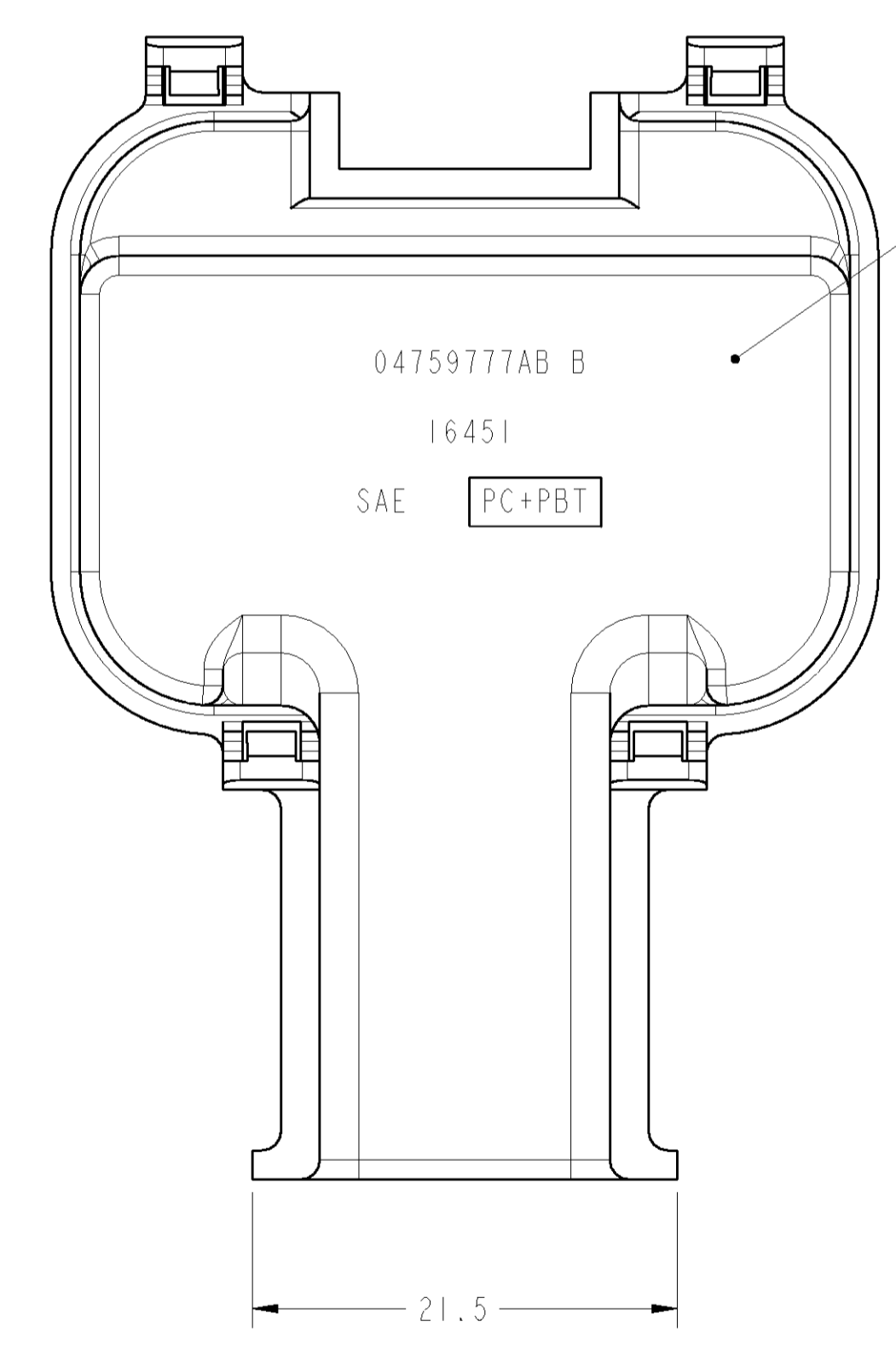
SECTION A-A



TOP SURFACE TO HAVE FINE STIPPLE GRAIN FINISH PER ITEM #7 0.5 MM ABOVE TAN PT.



SECTION C-C



VENDOR ID, MOLD CAVITY NO. AND CUSTOMER PART NO. WITH CUSTOMER REV LEVEL PER ITEM 2  
 TOOLING NOTE: PART NO. WITH REV LEVEL MUST BE INSERTED

NOTES:

- ALL DIMENSIONS TO SHARP CORNERS WITH A RADIUS ARE TAKEN FROM THEORETICAL SHARP CORNERS UNLESS EXPLICITLY SHOWN OTHERWISE.
- MATERIAL: GE PLASTICS VALOX 508-BK1066.
- TO BE USED WITH P/N 04759556AG, 04759557AG, 04759558AG, AND 04759559AG.
- TYCO P/N 5-1437839-4. DAIMLER CHRYSLER P/N 04759777AB.

| INFORMATION TO BE PRINTED ON INSIDE OF COVER |             |                      |            |
|----------------------------------------------|-------------|----------------------|------------|
| TYCO PART NUMBER                             | 5-1437839-4 | CUSTOMER PART NUMBER | 04759777AB |
| CUSTOMER REVISION LEVEL                      | B           |                      |            |

|             |             |                                        |             |                         |             |                                               |      |
|-------------|-------------|----------------------------------------|-------------|-------------------------|-------------|-----------------------------------------------|------|
| DIMENSIONS: |             | TOLERANCES UNLESS OTHERWISE SPECIFIED: |             | DWN S. KEENER 27MAR2002 |             | Tyco Electronics<br>Harrisburg, PA 17105-3608 |      |
| mm          | 0 PLC ±1.00 | 1 PLC ±0.50                            | 2 PLC ±0.30 | 3 PLC ±0.10             | 4 PLC ±0.05 | APVD R. PETROSKIT 27MAR2002                   | NAME |
|             | ANGLES      | FINISH                                 |             | MATERIAL                |             | PRODUCT SPEC                                  |      |
|             |             | SEE NOTES                              |             | SEE NOTES               |             | APPLICATION SPEC                              |      |
| MATERIAL    |             | FINISH                                 |             | WEIGHT                  |             | SIZE                                          |      |
| SEE NOTES   |             | SEE NOTES                              |             | -                       |             | CAGE CODE                                     |      |
|             |             |                                        |             | -                       |             | DRAWING NO                                    |      |
|             |             |                                        |             | -                       |             | RESTRICTED TO                                 |      |
|             |             |                                        |             | -                       |             | CUSTOMER DRAWING                              |      |
|             |             |                                        |             | -                       |             | SCALE                                         |      |
|             |             |                                        |             | -                       |             | 3                                             |      |
|             |             |                                        |             | -                       |             | SHEET                                         |      |
|             |             |                                        |             | -                       |             | 1                                             |      |
|             |             |                                        |             | -                       |             | OF                                            |      |
|             |             |                                        |             | -                       |             | REV                                           |      |
|             |             |                                        |             | -                       |             | C1                                            |      |