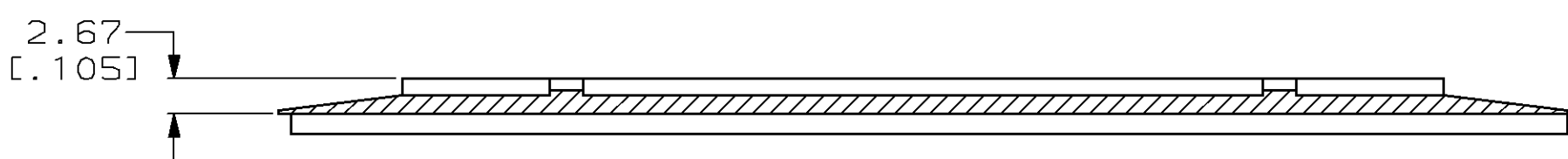
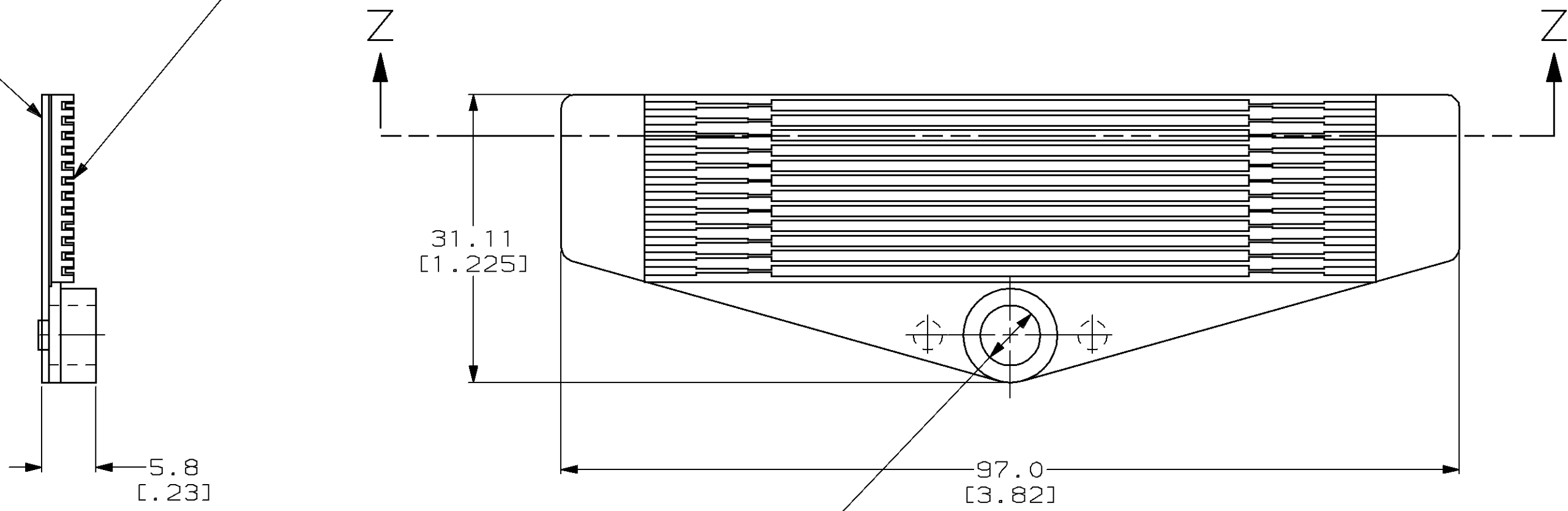


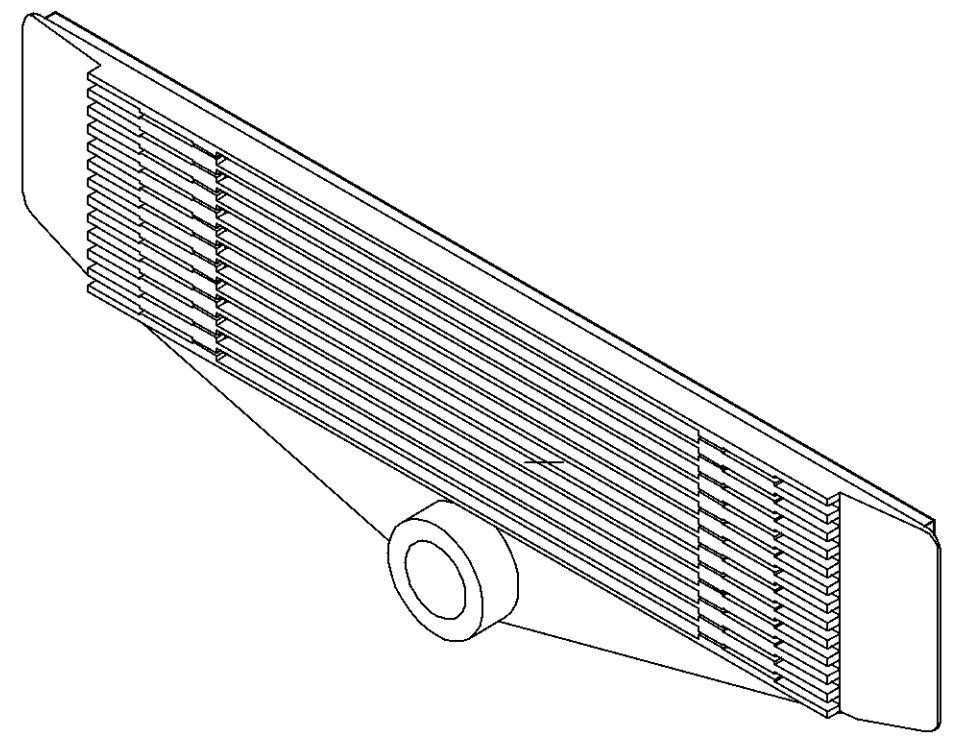
LOC	DIST	P	F	REVISIONS			DATE	APPD
EW	17			ZONE	LTR	DESCRIPTION		
					0	REL PER NPR 94-106	12-94	JD/MF

HOLDER, FUSION SPLICE

DOUBLE SIDED TAPE



SECTION Z-Z



503086-1

PART NO

DO NOT SCALE PRINT. UNLESS SPECIFIED DIMENSIONS IN mm [INCHES] TOLERANCES ON: 2 PLC DEC ± .5 [.02] 3 PLC DEC ± .12 [.005] ANGLES ± -	DR 12-2-94 J W DAVIS	AMP Incorporated Harrisburg, PA 17105-3608
	CHK 12-2-94 M FASNACHT	
MATERIAL HOLDER MINDEL B-322 (BLACK)	APPD 12-2-94 J EBERLE	NAME
	APPD - PRODUCT SPEC -	FUSION SPLICE HOLDER ASSY
FINISH -	APPLICATION SPEC -	SIZE CAGE CODE DRAWING NO
	WEIGHT -	C 00779 C=503086

SCALE	2:1	SHEET	1 OF 1
-------	-----	-------	--------

THIS DRAWING IS A CONTROLLED DOCUMENT FOR AMP INCORPORATED. IT IS SUBJECT TO CHANGE AND THE CONTROLLING ENGINEERING ORGANIZATION SHOULD BE CONTACTED FOR THE LATEST REVISION.