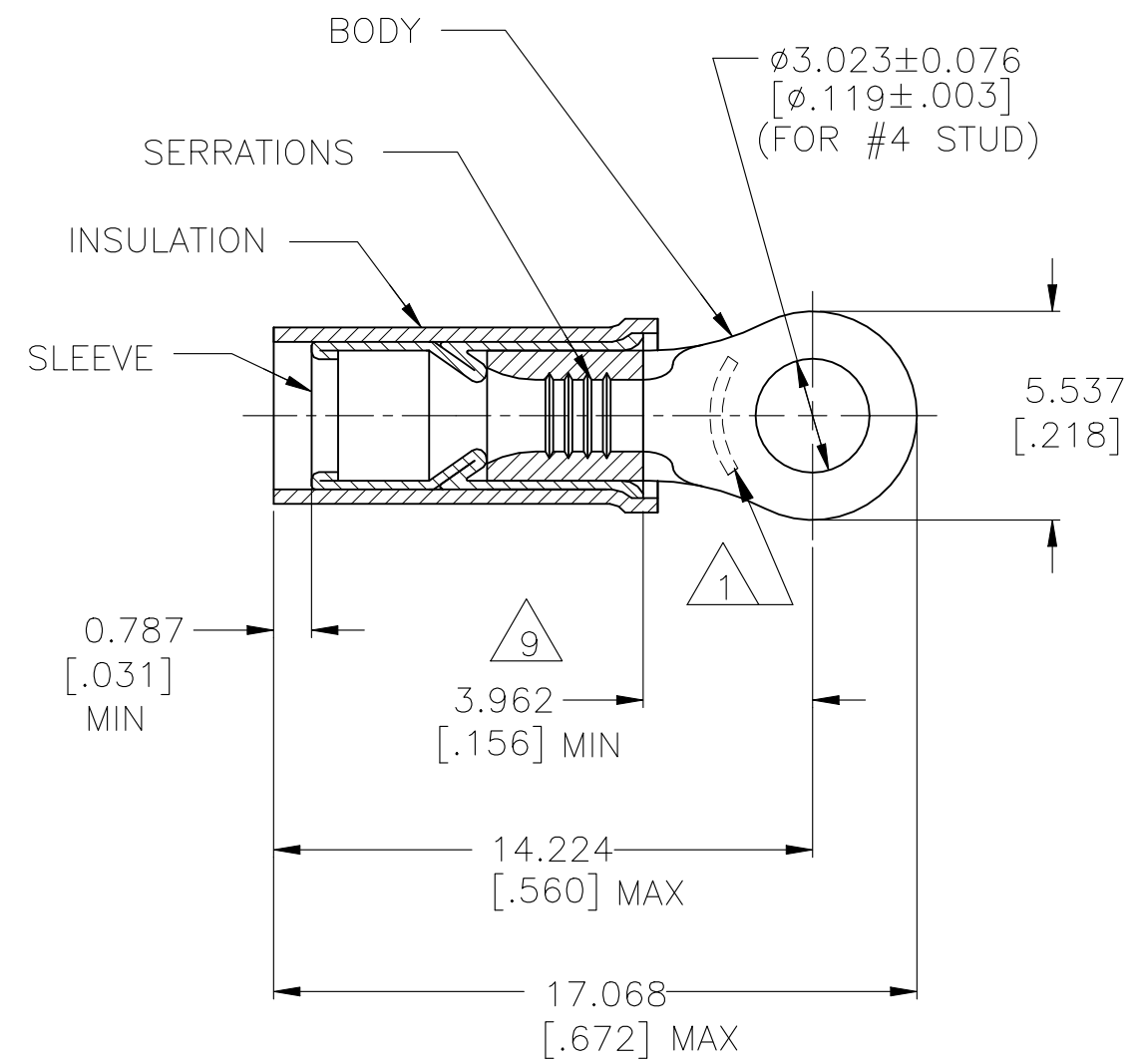


© - TE Connectivity. All Rights Reserved.

REVISIONS				
P	LTR	DESCRIPTION	DATE	APVD
	K7	ECR-22-138429	19MAY2022	LP DSC

AMP
WIRE RANGE

18-16 AWG
STRANDED ONLY



- 1 STAMP "AMP 18-16*" APPROX AS SHOWN
- 2 FOR 1.397 [.055] TO 3.429 [.135] WIRE INSULATION DIA.
- 3 BODY MATERIAL THK: 0.787 ± 0.051 [.031 ± .002]
- 4 MATERIAL: BODY & SLEEVE - COPPER PER ASTM B152; INSULATION - PTFE PER ASTM D4895
- 5 FINISH: BODY - NICKEL PLATE 0.00762 [.00030] AVG EXT THK PER SAE AMS-QQ-N-290; SLEEVE - NICKEL PLATE 0.001651 [.000065] AVG EXT THK PER SAE AMS-QQ-N-290; INSULATION COLOR - ORANGE
- 6 NOTE DELETED
- 7 NOTE DELETED
- 8 NOTE DELETED
- 9 DIMENSION APPLIES FROM EDGE OF METAL WIRE BARREL TO CENTER OF STUD HOLE

1000	LOOSE PIECE	50834
QTY	PACKAGE TYPE	PART NO.

AMP INCORPORATED CUSTOMER SERVICE SYSTEMS		MAX RECOMMENDED OPERATING TEMPERATURE: 288°C [550° F]	THIS DRAWING IS A CONTROLLED DOCUMENT.		DWN JR RUTH 05JAN99	STE TE Connectivity			
FOR ADDITIONAL PRODUCT INFORMATION OR COPIES OF DRAWINGS AND TECHNICAL DOCUMENTS	PRODUCT INFORMATION CENTER 1-800-522-6752	VOLTAGE RATING: 300V MAX	DIMENSIONS: mm [INCHES]	TOLERANCES UNLESS OTHERWISE SPECIFIED:	CHK RE HERSEY 05JAN99				NAME T MICHELUTTI
FOR APPLICATION TOOLING INFORMATION	TOOLING ASSISTANCE CENTER 1-800-722-1111	CIRCULAR MIL AREA: 0.81-1.42mm² [1600-2800] STRANDED WIRE ONLY		0 PLC ± - 1 PLC ± - 2 PLC ± - 3 PLC ± 0.127 [.005] 4 PLC ± - ANGLES ± -	APVD T MICHELUTTI 05JAN99	PRODUCT SPEC -			
FOR ORDER ENTRY	1-800-526-5142		MATERIAL	FINISH	APPLICATION SPEC 114-2162	SIZE A3	CAGE CODE 00779	DRAWING NO C-50834	RESTRICTED TO -
CUSTOMER DRAWING					WEIGHT -	SCALE 5:1			SHEET 1 OF 1
					REV K7				