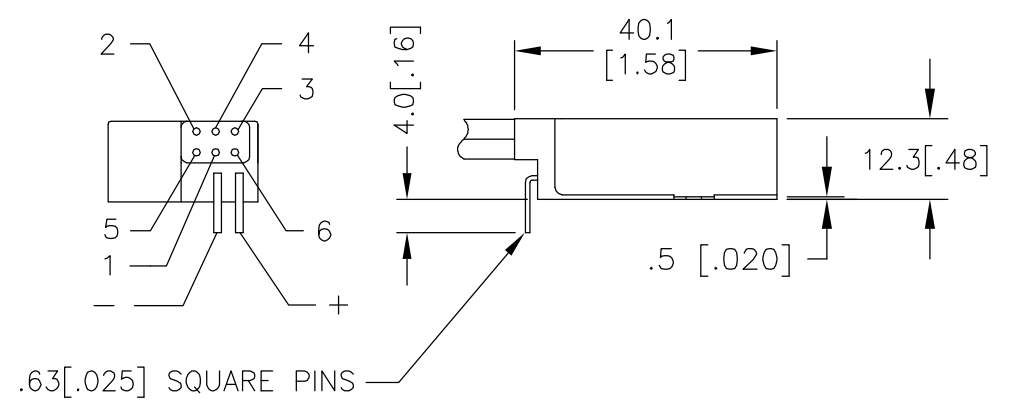
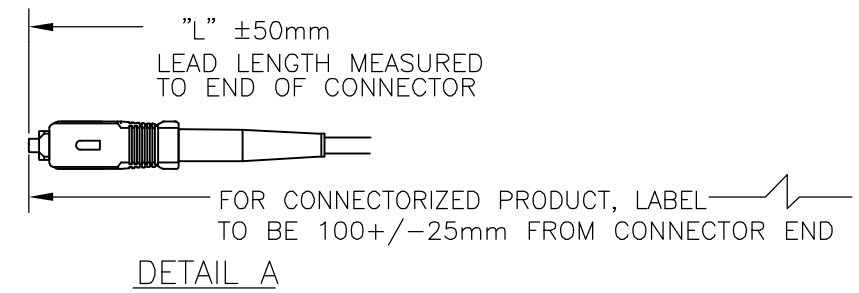


SEE DETAIL -A- FOR CONNECTORIZED VERSIONS

| PART NO.    | FIBER TYPE   | CONNECTOR TYPE |
|-------------|--------------|----------------|
| 5099974-1   | 50/125/250   | NONE           |
| 5099974-2   | 62.5/125/250 | NONE           |
| 1-5099974-2 | 62.5/125/250 | SC STYLE       |
| 8-5099974-1 | 50/125/250   | SC STYLE       |
| 8-5099974-2 | 62.5/125/250 | SC STYLE       |



**NOTES:**

1. DIMENSIONS IN [ ] ARE IN INCHES.
2. PERFORMANCE SPECIFICATIONS

TESTED PER FOTP-34 METHOD A2  
 INSERTION LOSS DATA INCLUDES TWO CONNECTED PAIRS

|   | UNCONNECTORIZED                          | CONNECTORIZED |
|---|--|---------------|
| INSERTION LOSS POWER OFF, 1 TO 2 & 4 TO 5 | 0.8dB MAX                                | 1.8dB MAX     |
| INSERTION LOSS POWER ON, 1 TO 3 & 4 TO 6  | 0.8dB MAX                                | 1.8dB MAX     |
| OPTICAL CROSSTALK                         | </=-45dB MAX                             |               |
| SWITCHING SPEED                           | 10 MILLISECONDS MAX                      |               |
| POWER REQUIREMENTS                        | 4.0 TO 5.5 VOLTS, 80 ma MAX AT 5.0 VOLTS |               |
| OPERATING WAVELENGTH                      | 750nm TO 1450nm                          |               |
| TESTED WAVELENGTH                         | 1300nm                                   |               |

3. THIS PRODUCT HAS NOT COMPLETED VALIDATION TESTING.

|                |             |
|----------------|-------------|
| 1000 mm (39.5) | 8-5099974-2 |
| 1000 mm (39.5) | 8-5099974-1 |
| 400 mm (15.7)  | 1-5099974-2 |
| 1000 mm (39.5) | 5099974-2   |
| 1000 mm (39.5) | 5099974-1   |
| "L" LENGTH     | PART NUMBER |

**PRELIMINARY**

|  |  |                             |   |                           |
|--|--|-----------------------------|---|---------------------------|
| THIS DRAWING IS A CONTROLLED DOCUMENT.   |  | DWN S. MONGOLD 17JAN06      | Tyco Electronics Corporation<br>Harrisburg, PA 17105-3608 |                           |
| DIMENSIONS: mm [INCHES]  |  | CHK R. PAUL 17JAN06         |   |                           |
| TOLERANCES UNLESS OTHERWISE SPECIFIED:   |  | APVD F. ABENDSCHEIN 17JAN06 | NAME  |                           |
| 0 PLC ± -<br>1 PLC ± 0.5<br>2 PLC ± -<br>3 PLC ± -<br>4 PLC ± -<br>ANGLES ± 2' |  | PRODUCT SPEC                |   | SWII D1X2 TIN (BENT PIN)  |
| MATERIAL   |  | APPLICATION SPEC            |   | RESTRICTED TO             |
| FINISH   |  | WEIGHT                      |   | SIZE CAGE CODE DRAWING NO |
|  |  | A3 00779                    |   | C=5099974                 |
| CUSTOMER DRAWING   |  | SCALE 1:1                   |   | SHEET 1 OF 1 REV 2        |