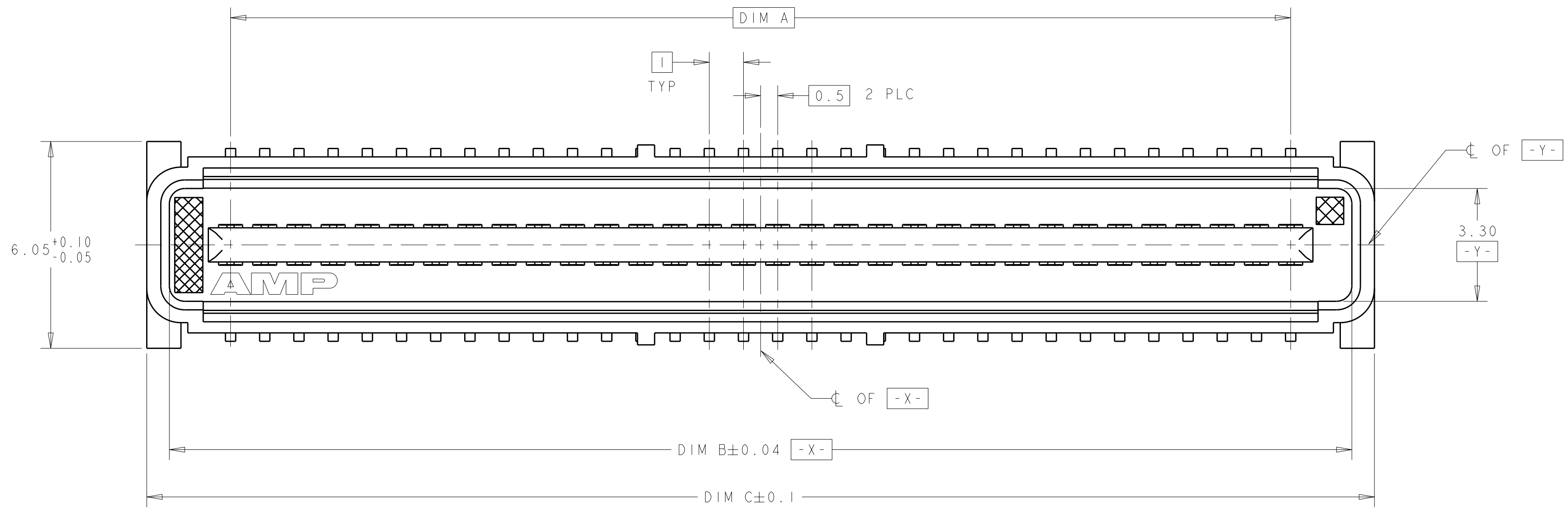
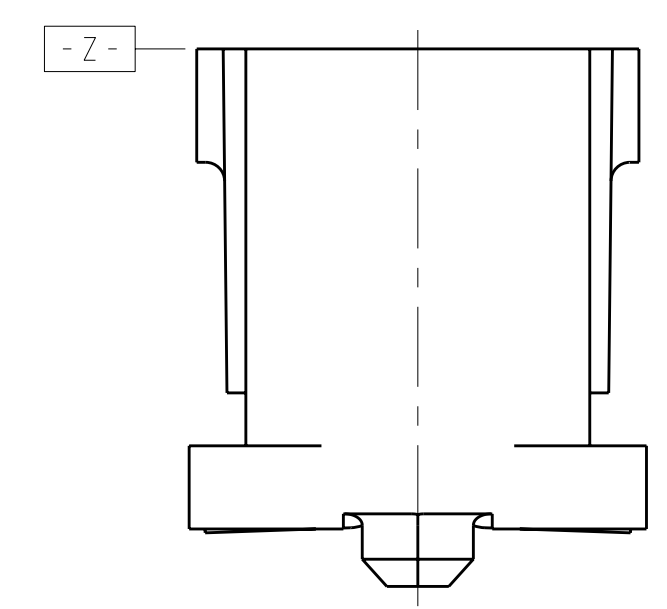
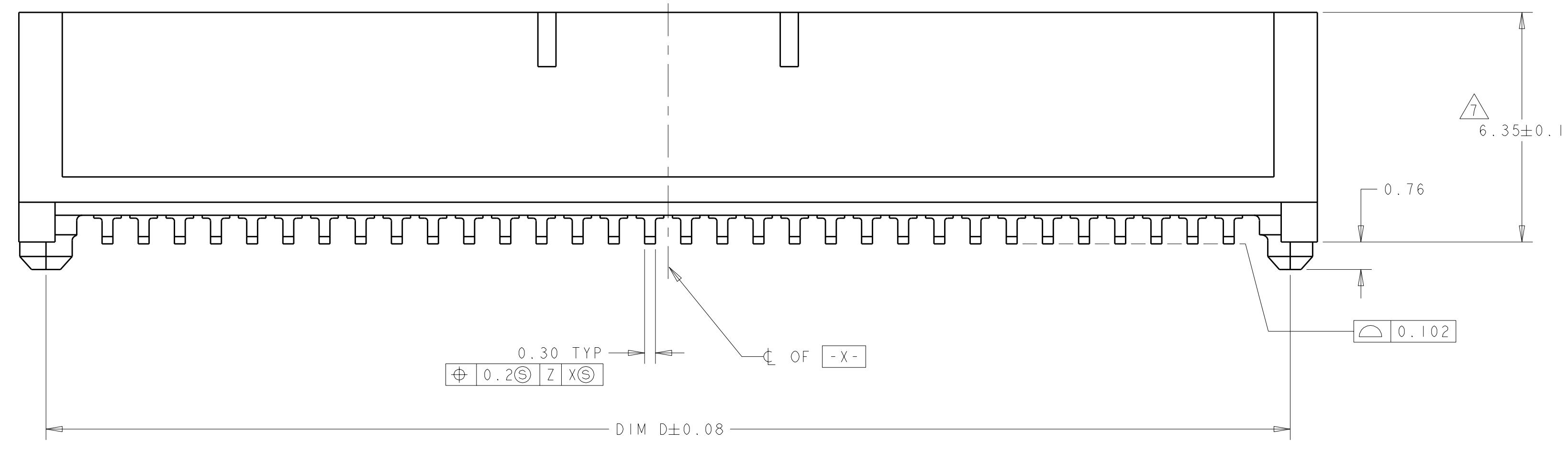


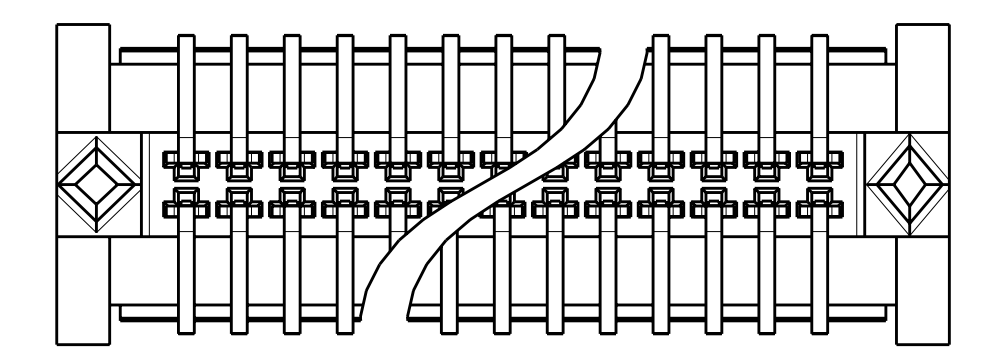
LOC	DIST	REVISIONS			
AD	00	REV	DATE	BY	APP'D
		0	REV PER EC 0512-0235-04	30SEP2004	BC RW
		A	REV PER EC 0512-0213-05	16SEP2005	BC RW
		B	REVISED PER ECO-08-008615	10JUL2008	DH DB
		B1	REV PER ECO-09-018460	12SEP2009	AEG HM



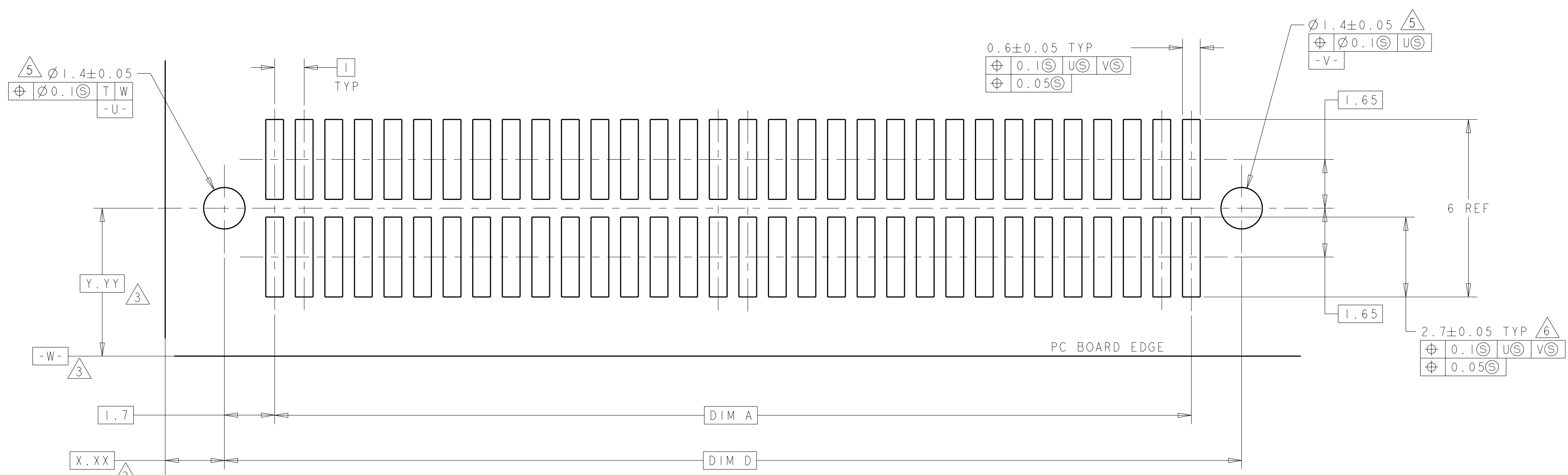
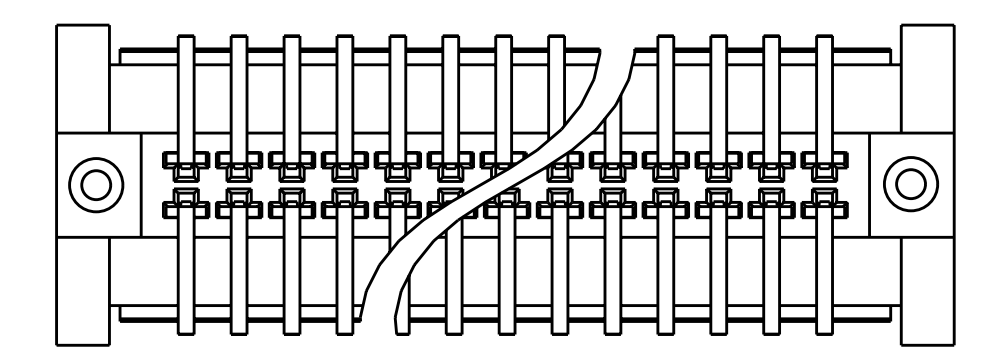
- 1 HOUSING MATERIAL: LIQUID CRYSTAL POLYMER. COLOR; BLACK. CONTACT MATERIAL: PHOSPHOR BRONZE.
- 2 CONTACT FINISH: NICKEL UNDERPLATE ALL OVER, MATING SURFACES PLATED TO MEET PLI PERFORMANCE REQUIREMENTS OF INDUSTRY SPECIFICATION EIA-700AAAB, SOLDER TAILS PLATED TIN.
- 3 DATUM LOCATIONS AND BASIC DIMENSIONS TO BE ESTABLISHED BY THE CUSTOMER. CONSULT AMP ENGINEERING WHEN PLACING MULTIPLE CONNECTORS ON A PC BOARD.
- 4 PACKAGED IN TAPE ON REELS PER EIA-481.
- 5 1.5 MIN DIAMETER HOLE SHOULD BE USED IF USING POST STYLE "A" AND PLACING ON PCB WITH VACUUM PLACEMENT EQUIPMENT.
- 6 SHORTER SOLDER LANDS MAY BE USED PER EIA 700AAAB, HOWEVER 2.7 LENGTH ASSURES OPTIMUM SOLDER FILLET REGARDLESS OF MANUFACTURER OF CONNECTOR.
- 7 REFERRED TO AS DIM N IN EIA 700AAAB SPECIFICATION.
- 8 CONTACT FINISH: 0.00381 MINIMUM MATTE TIN PER ASTM B 545 ON SOLDER AREA, 0.00127 MINIMUM GOLD PER ASTM B 488 ON MATING AREA, BOTH OVER 0.00127 MINIMUM NICKEL PER SAE-AMS-QQ-N-290 ON ENTIRE CONTACT.
- 9 SQUARE AND DIAMOND SHAPED POSTS
- 10 ROUND SHAPED POSTS



9 STYLE A POSTS



10 STYLE B POSTS



RECOMMENDED PC BOARD LAYOUT

POST STYLE	FINISH	DIM D	DIM C	DIM B	DIM A	STACK HGTS	POS	PART NO
9	10	44.4	45.9	44.58	41	8	84	3-5120525-2
10	10	34.4	35.9	34.58	31	8	64	3-5120525-1
9	2	44.4	45.9	44.58	41	8	84	2-5120525-2
10	2	34.4	35.9	34.58	31	8	64	2-5120525-1
9	8	44.4	45.9	44.58	41	8	84	1-5120525-2
10	8	34.4	35.9	34.58	31	8	64	1-5120525-1
9	2	44.4	45.9	44.58	41	8	84	5120525-2
10	2	34.4	35.9	34.58	31	8	64	5120525-1

OBSELETE

DIMENSIONS: mm 9 PLC ± 1 PLC ±0.03 5 PLC ±0.003 4 PLC ± ANGLES ±0°30'	TOLERANCES UNLESS OTHERWISE SPECIFIED: DIM A ±0.04 DIM B ±0.04 DIM C ±0.1 DIM D ±0.08	DWN B. CARBO 30SEP04 CHK R. WERTZ APVD R. WERTZ 30SEP04	Tyco Electronics Corporation Harrisburg, PA 17105-3608
MATERIAL SEE TABLE	FINISH SEE TABLE	PRODUCT SPEC 502-1079 APPLICATION SPEC 114-25045 WEIGHT CUSTOMER DRAWING	NAME PLUG ASSY, 1.0mm FH (IEEE1386) CONNECTOR SIZE CAGE CODE DRAWING NO RESTRICTED TO A11 00779 C=5120525 SCALE 10:1 SHEET 1 OF 1 REV B1