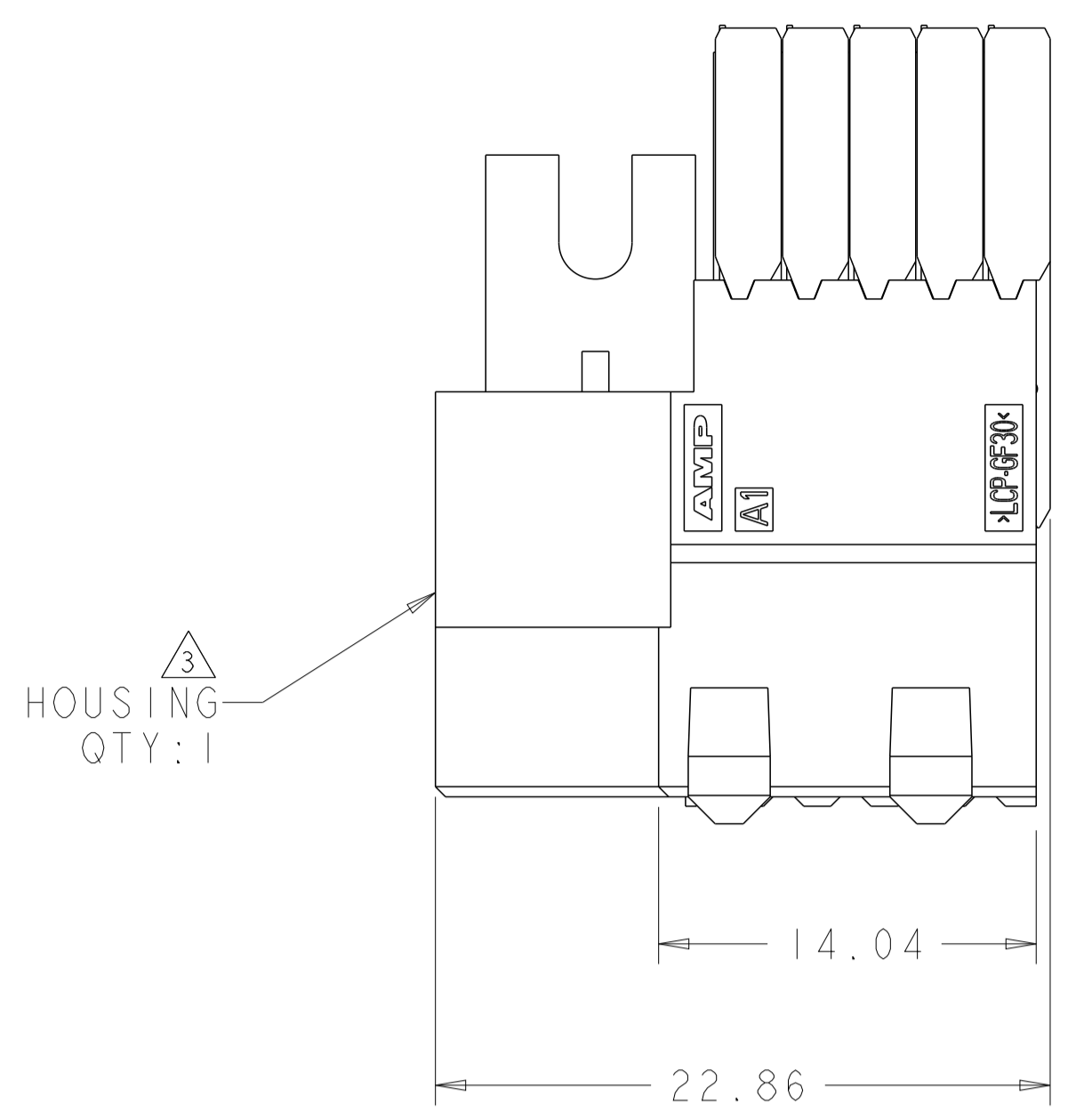
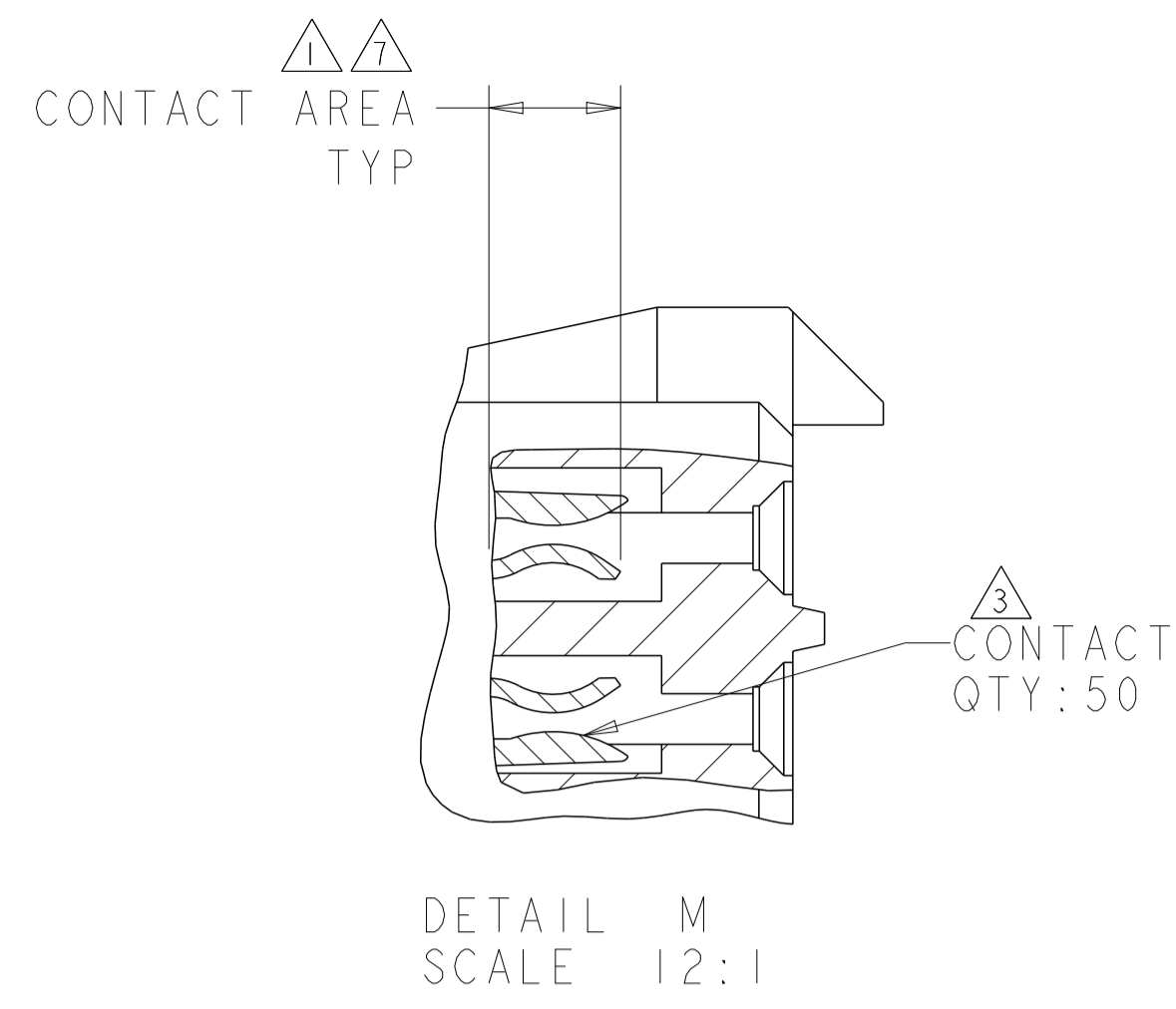
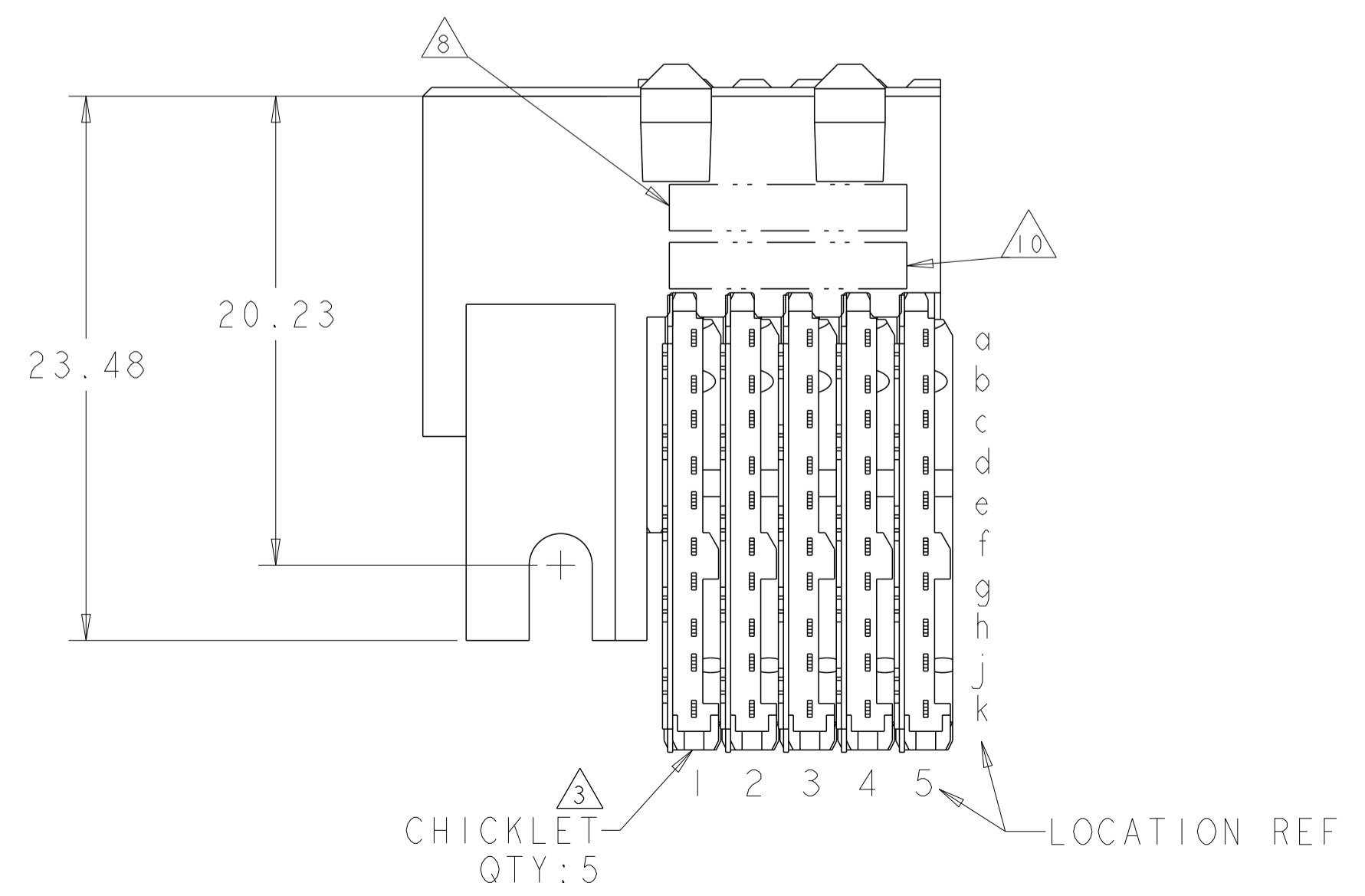
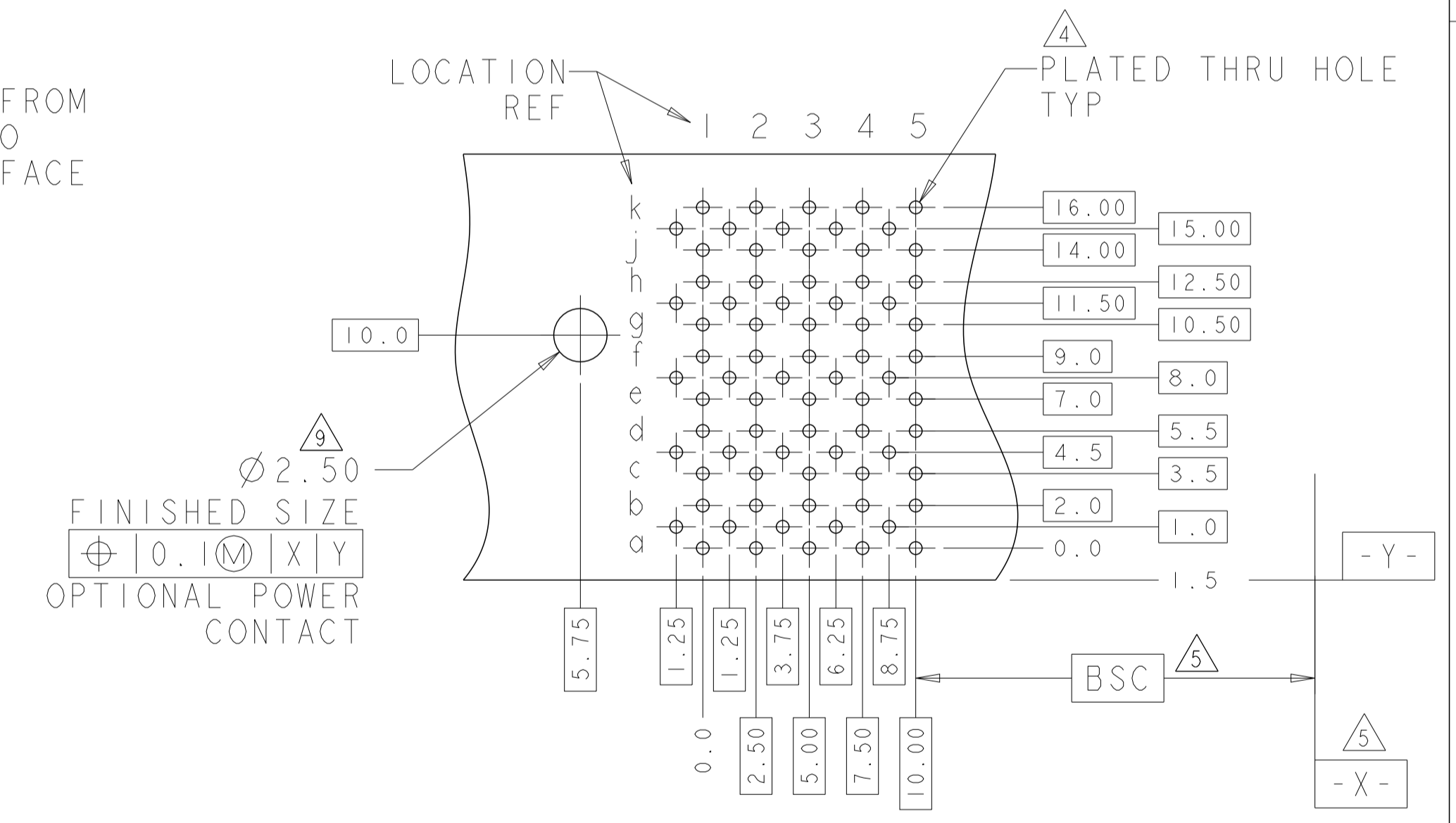
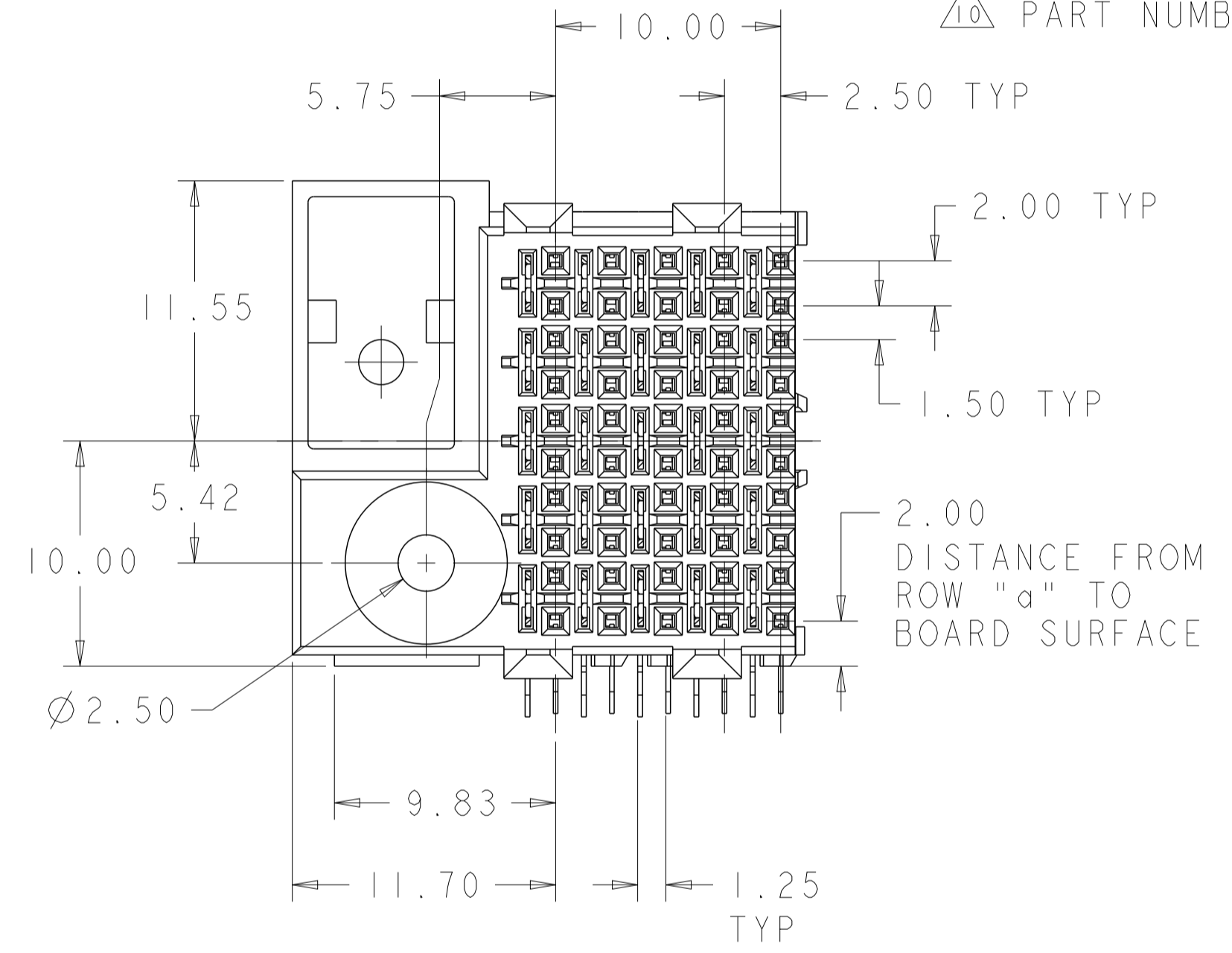
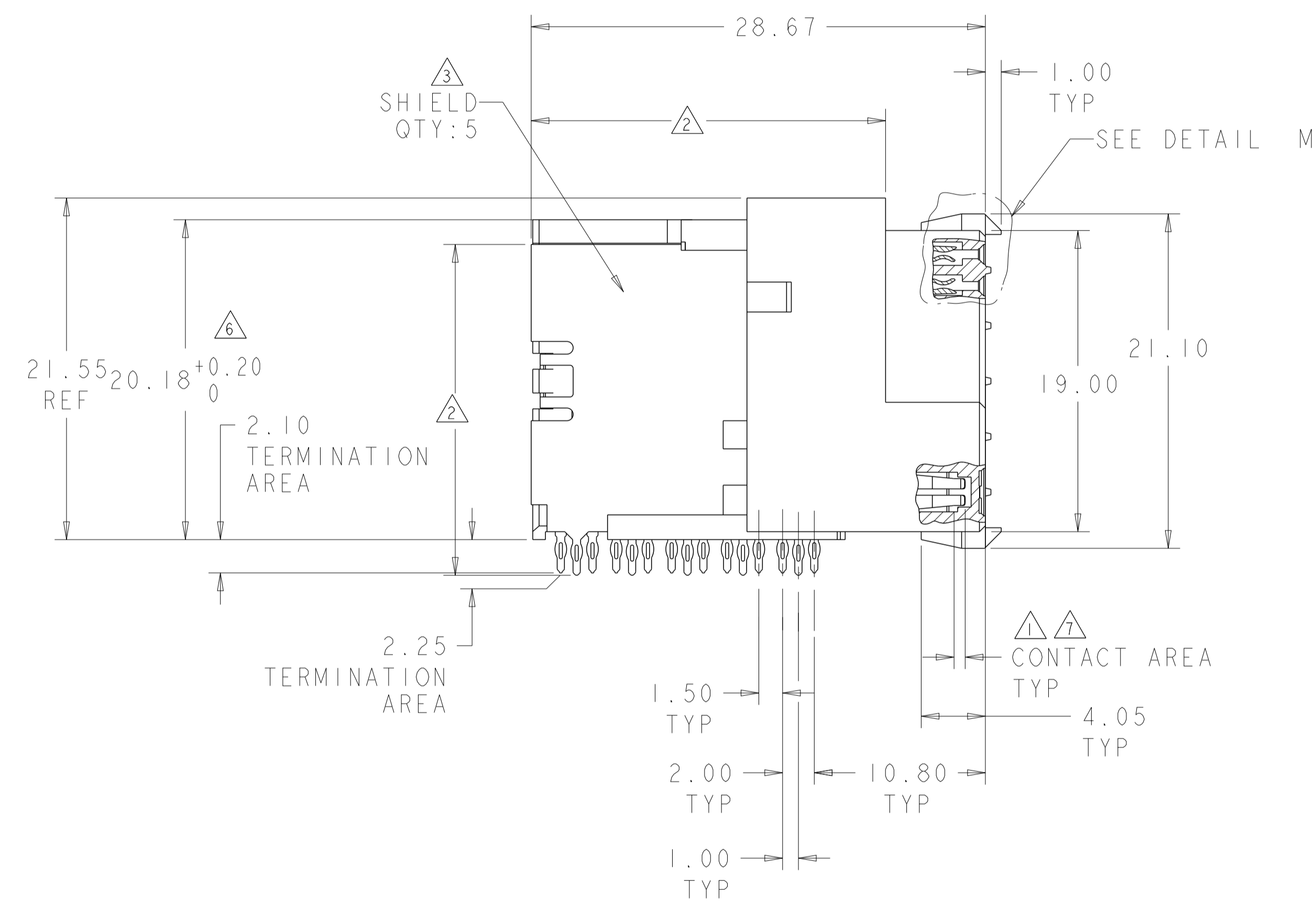


LOC		DIST		REVISIONS			
AD	00	P	LTN	DESCRIPTION	DATE	DWN	APVD
		B		REVISED PER ECO-18-020072	26DEC2018	R.L	H.L



- 1 CONTACT MATING AREA MEETS THE PERFORMANCE REQUIREMENTS OF TE CONNECTIVITY PRODUCT SPECIFICATION 108-1957; BASED ON TELCORDIA GR-1217-CORE, APPLICATIONS IN UNCONTROLLED ENVIRONMENTS.
- 2 0.76µm MIN TIN OVER 1.27µm MIN NICKEL
- 3 MATERIAL: CONTACT - COPPER ALLOY
SHIELD - PHOSPHOR BRONZE
HOUSING - LCP, UL94V-0
CHICKLET - GLASS FILLED POLYESTER
- 4 REFERENCE APPLICATION SPEC 114-13020 FOR RECOMMENDED PLATED THRU HOLE DIAMETER AND PLATING THICKNESS.
- 5 DATUM AND BASIC DIMENSION ESTABLISHED BY CUSTOMER.
- 6 SEATING HEIGHT TO BOARD SURFACE.
- 7 CONTACT AREA LUBRICATED WITH BELLCORE APPROVED LUBRICANT. TECHNICAL REFERENCE: GR-1217-CORE, ISSUE 1, NOVEMBER 1995.
- 8 DATE CODE
- 10 PART NUMBER



RECOMMENDED PRINTED
CIRCUIT BOARD LAYOUT
COMPONENT SIDE OF PRINTED CIRCUIT BOARD

OBSOLETE

5120793-1
PART NUMBER

THIS DRAWING IS A CONTROLLED DOCUMENT.		DWN B. CARBO	08DEC04	 TE Connectivity	NAME RECEPTACLE ASSEMBLY, 50 POSITION ESD/POWER GROUND PIN, LEFT HAND, 10 ROW, DUAL BEAM, Z-PACK HS3
DIMENSIONS:		CHK R. PATTERSON	08DEC04		
TOLERANCES UNLESS OTHERWISE SPECIFIED:		APVD R. PATTERSON	08DEC04	PRODUCT SPEC	
mm		108-1957		APPLICATION SPEC	
0 PLC ±		114-13020		SIZE	
1 PLC ±0.2		WEIGHT		RESTRICTED TO	
2 PLC ±0.13		SOLDER TAIL		A100779C=5120793	
3 PLC ±0.05		CONTACT		SCALE 4:1 SHEET 1 OF 1 REV B1	
4 PLC ±		CUSTOMER DRAWING			
ANGLES					