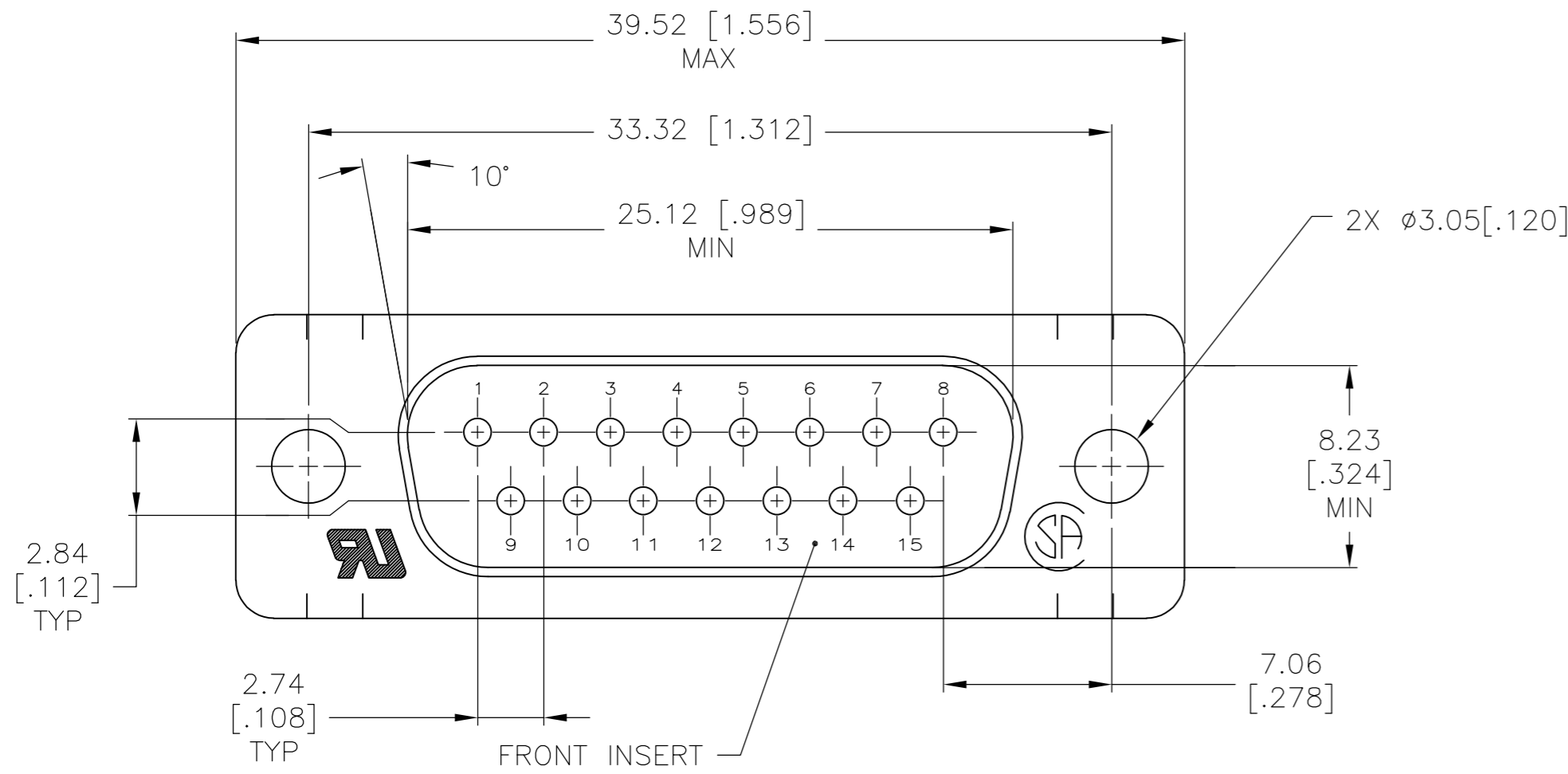


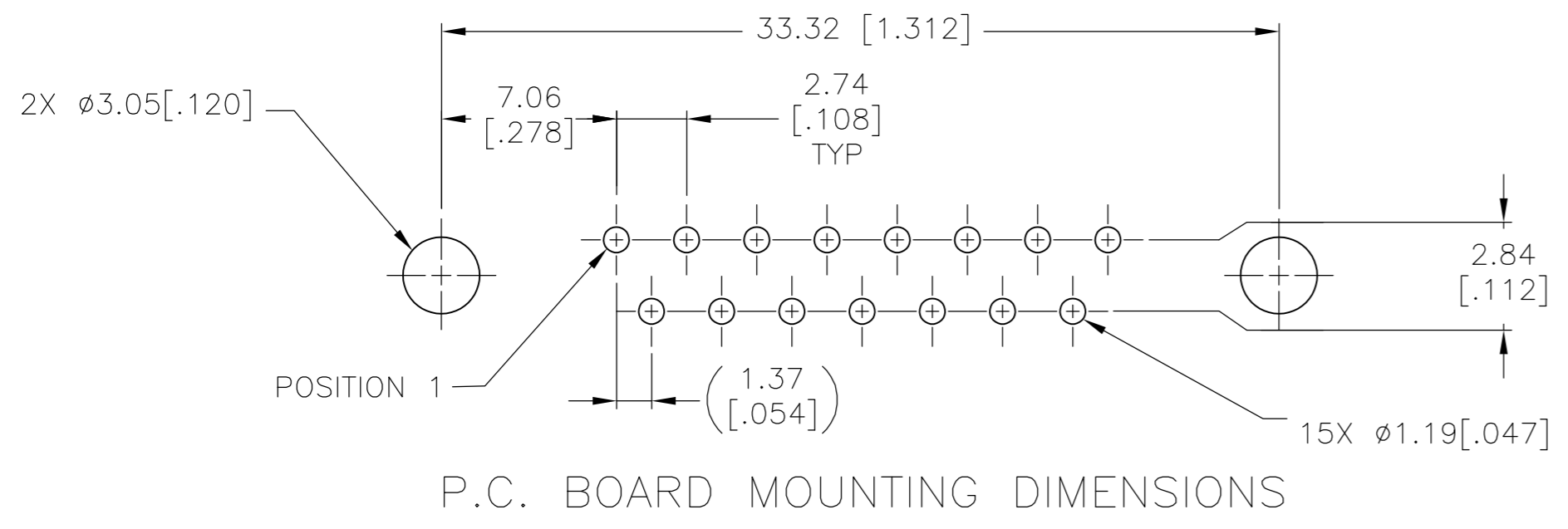
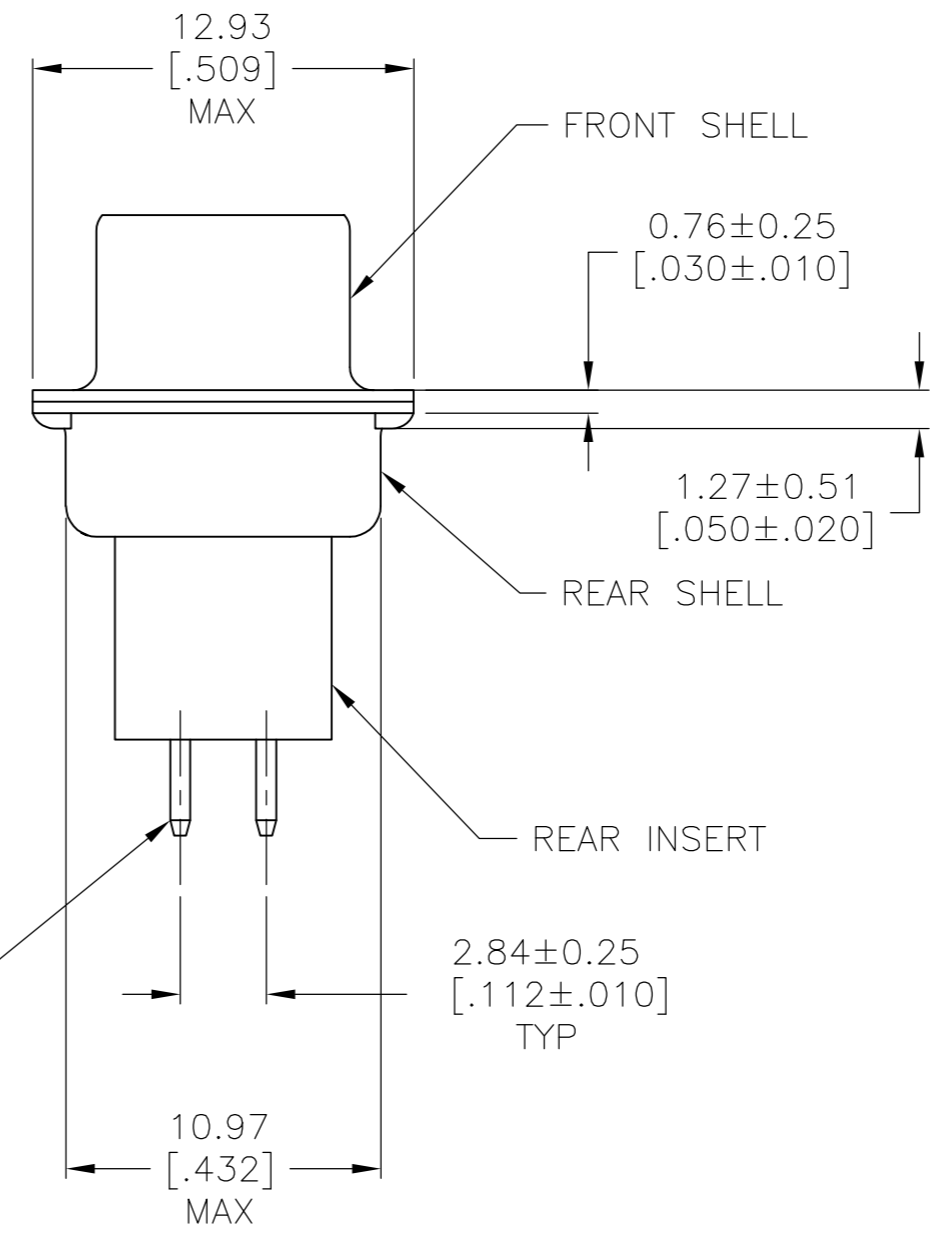
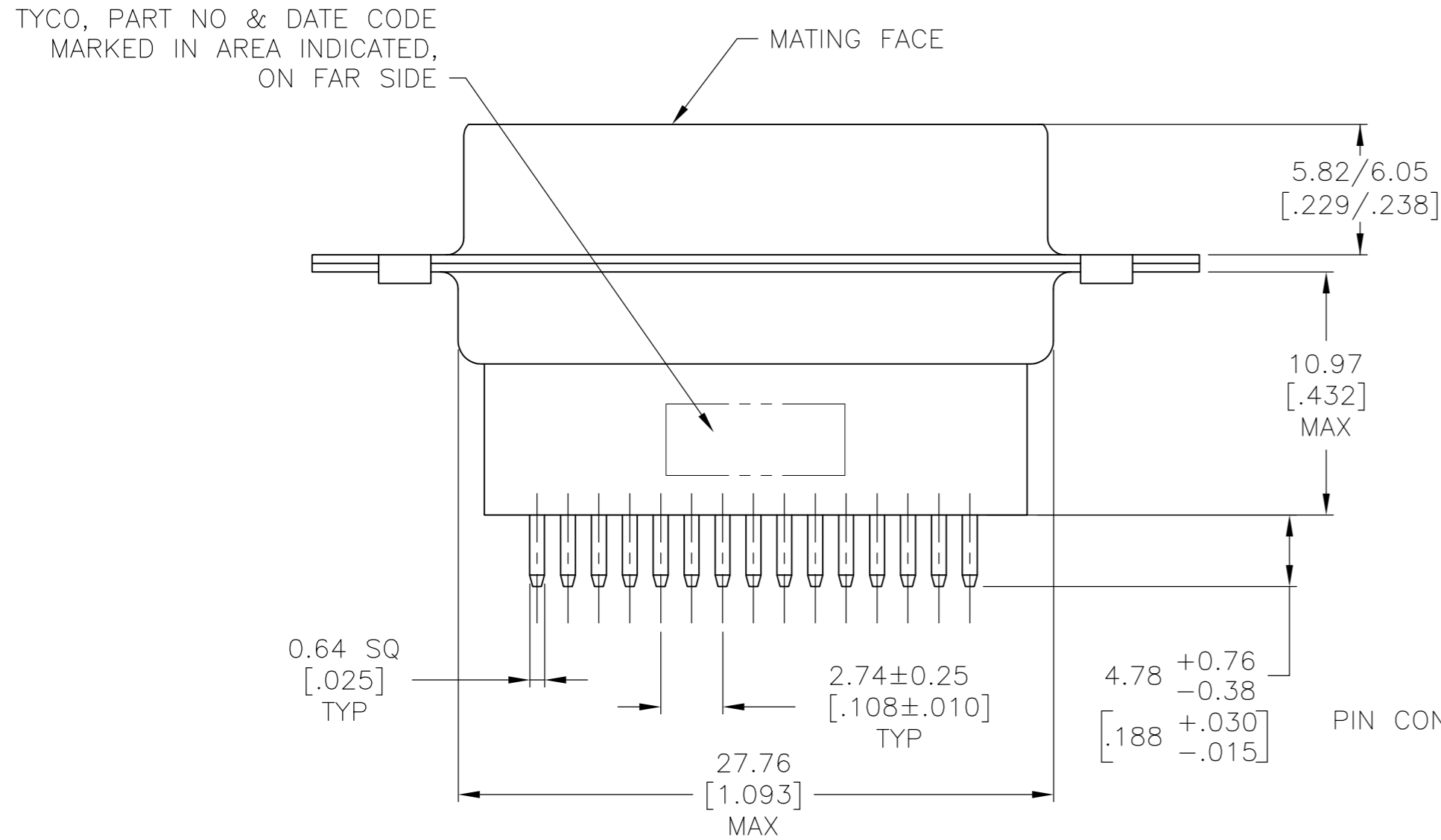
THIS DRAWING IS UNPUBLISHED. RELEASED FOR PUBLICATION
 © COPYRIGHT 2005 By - ALL RIGHTS RESERVED.

LOC		DIST		REVISIONS			
P	LTR	DESCRIPTION	DATE	DWN	APVD		
GP	00						
D		REVISED PER ECO-14-011808	09AUG2014	AP	SB		



MOLDED PARTS: GLASS-FILLED PBT OR GLASS-FILLED NYLON, UL94V-0 RATED. COLOR: BLACK
SHELLS: CARBON STEEL
CONTACTS: BRASS

SHELLS: 5.08 μ m [.000200] MIN ZINC WITH YELLOW CHROMATE COATING.
CONTACTS: GOLD PLATED FOR LENGTH OF 3.81 [.150] MIN FROM MATING END, 0.76 μ m [.000030] MIN GOLD IN MATED AREA, 2.54 μ m [.000100] MIN TIN ON SOLDER END, BOTH OVER 1.27 μ m [.000050] MIN NICKEL.
 OR
 GOLD FLASH OVER PALLADIUM-NICKEL PLATED FOR LENGTH OF 3.81 [.150] MIN FROM MATING END, 0.76 μ m [.000030] MIN TOTAL IN MATED AREA, 2.54 μ m [.000100] MIN TIN ON SOLDER END, BOTH OVER 1.27 μ m [.000050] MIN NICKEL.



5205735-7
 PART NUMBER

THIS DRAWING IS A CONTROLLED DOCUMENT.		DWN B. LATTUCA 02SEPT05			NAME	
DIMENSIONS: mm [INCHES]		CHK S. BOLASH 02SEPT05			PLUG ASSY, SIZE 2, 15 POS, VERTICAL, AMPLIMITE HDP	
TOLERANCES UNLESS OTHERWISE SPECIFIED:		APVD M. WALMSLEY 02SEPT05	PRODUCT SPEC		SIZE	CAGE CODE
0 PLC ± -		APPLICATION SPEC	108-40025		DRAWING NO	RESTRICTED TO
1 PLC ± -		114-40013	WEIGHT		A2	00779
2 PLC ± 0.13 [.005]			SCALE		NTS	SHEET
3 PLC ± -			CUSTOMER DRAWING		5205735	1 of 1
4 PLC ± -			FINISH		2	REV
ANGLES ± 2°						D
MATERIAL 1						