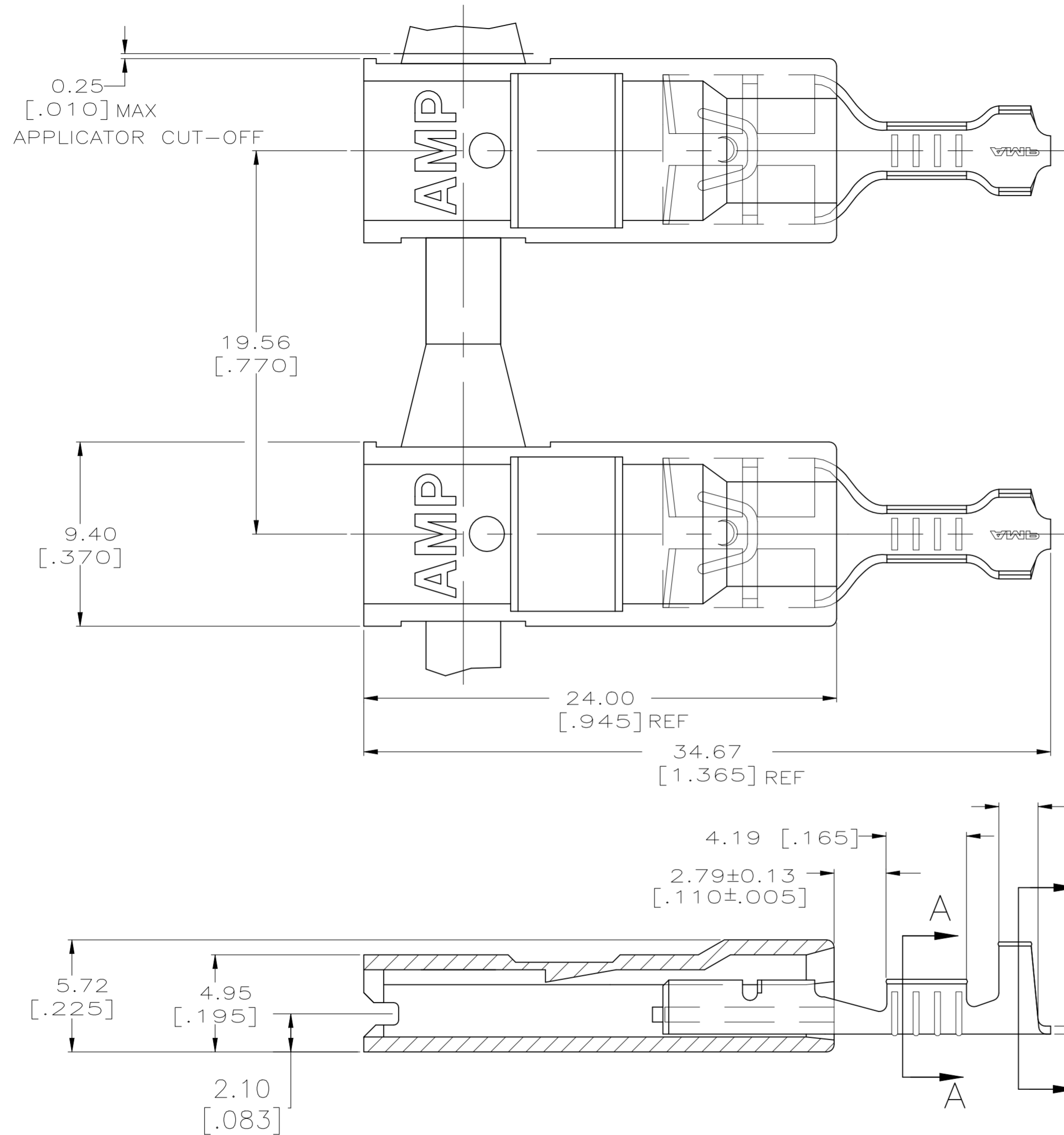
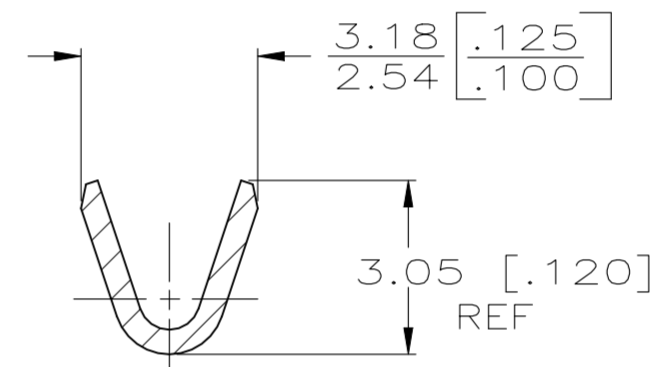


THIS DRAWING IS UNPUBLISHED. RELEASED FOR PUBLICATION  
 © COPYRIGHT - By - ALL RIGHTS RESERVED.

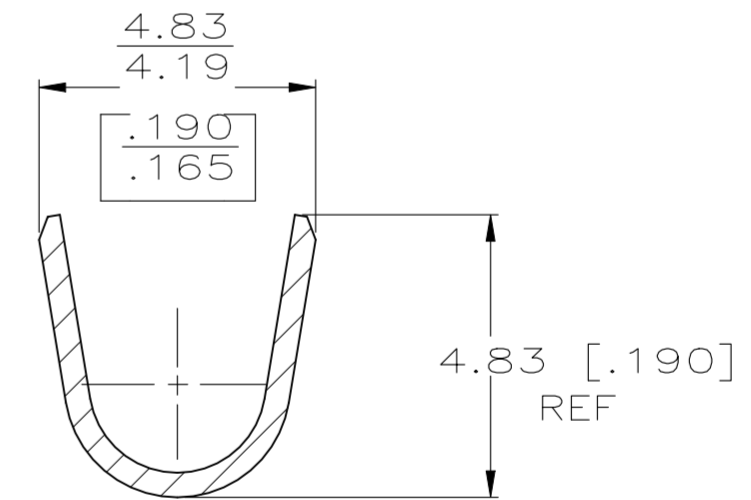
REVISIONS				
P	LTR	DESCRIPTION	DATE	APVD
F5		REVISED PER ECR-22-160893	14DEC2022	DB BW



- 1 TIN PER MIL-T-10727.
- 2 LOW-INSERTION FASTON TERMINALS, BASE PART NUMBER 63609, ARE USED IN THIS PRODUCT.
- 3 GLOW WIRE APPROVED, CONTACT TE ENGINEERING FOR SPECIFICATION



SECTION A-A  
SCALE 8:1



SECTION B-B  
SCALE 8:1

1 TIN PLATE	2.29-3.30 [.090-.130]	0.3-0.8 mm <sup>2</sup> [22-18]	0.81 [.032]	3	520988-3
1 TIN PLATE PLAIN	2.29-3.30 [.090-.130]	0.3-0.8 mm <sup>2</sup> [22-18]	0.81 [.032]		520988-2
TERMINAL FINISH	INSULATION RANGE	WIRE SIZE	MATING TAB THK ±0.025 [±.001]		520988-1
					PART NO

THIS DRAWING IS A CONTROLLED DOCUMENT.		DWN MICHAEL S. FEHER 5/14/91	<b>TE</b> TE Connectivity		
DIMENSIONS: mm [INCHES]		CHK JEFF R. RUTH 5/21/91			
TOLERANCES UNLESS OTHERWISE SPECIFIED:		APVD RICHARD FRANTZ 5/21/91	NAME ASSEMBLY, HOUSING & RECEPTACLE, 6.35 [.250] SERIES ULTRA-POD		
0 PLC ± - 1 PLC ± - 2 PLC ± 0.25 [.010] 3 PLC ± - 4 PLC ± - ANGLES ± -		PRODUCT SPEC 108-1285	SIZE A2	CAGE CODE 00779	DRAWING NO C=520988
MATERIAL TERMINAL - BRASS HOUSING - 6/6 NYLON		FINISH TERMINAL - SEE TABLE HOUSING - NATURAL	WEIGHT CUSTOMER DRAWING	RESTRICTED TO -	SCALE 5:1
			SHEET 1 OF 1	REV F5	