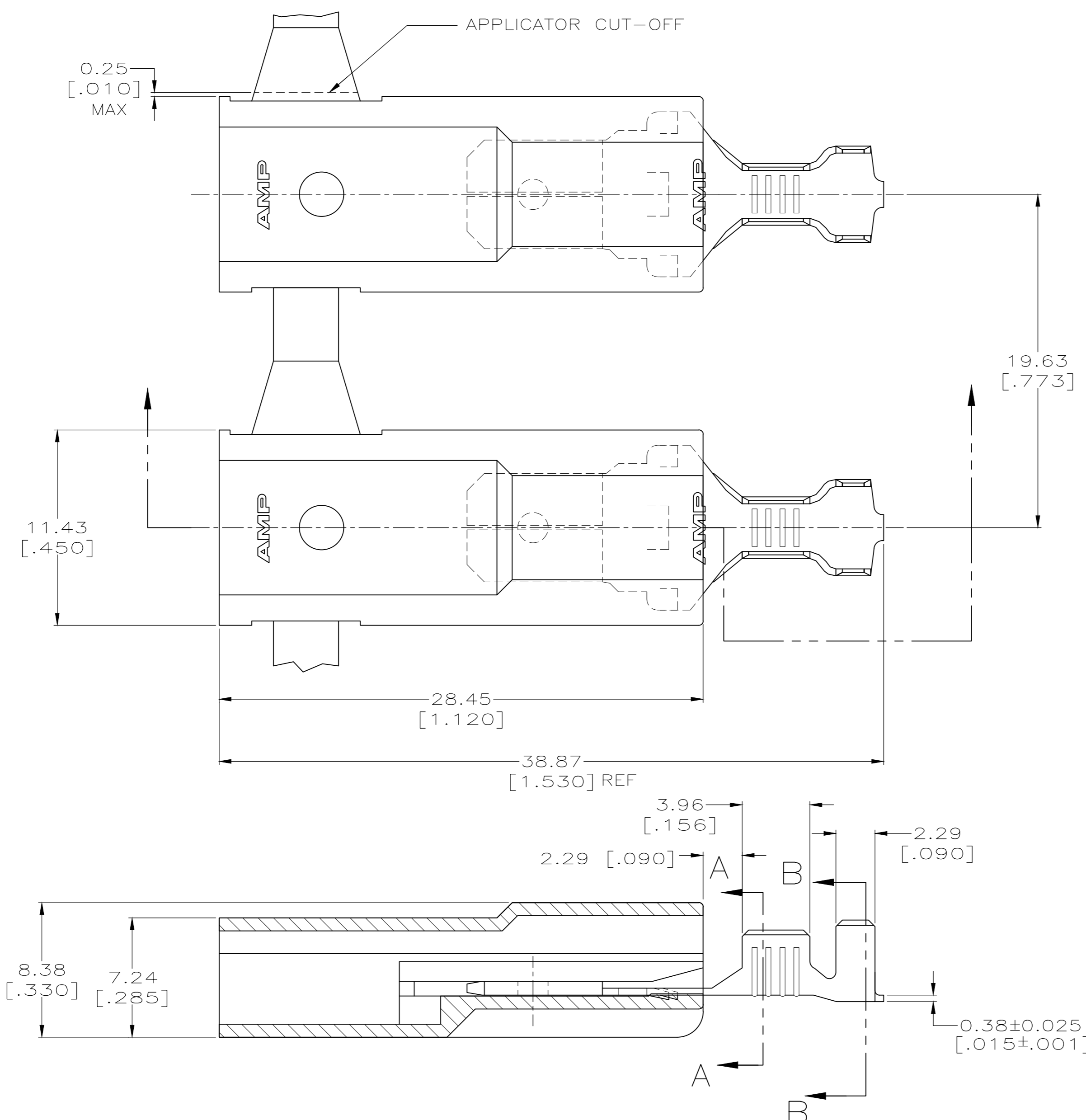
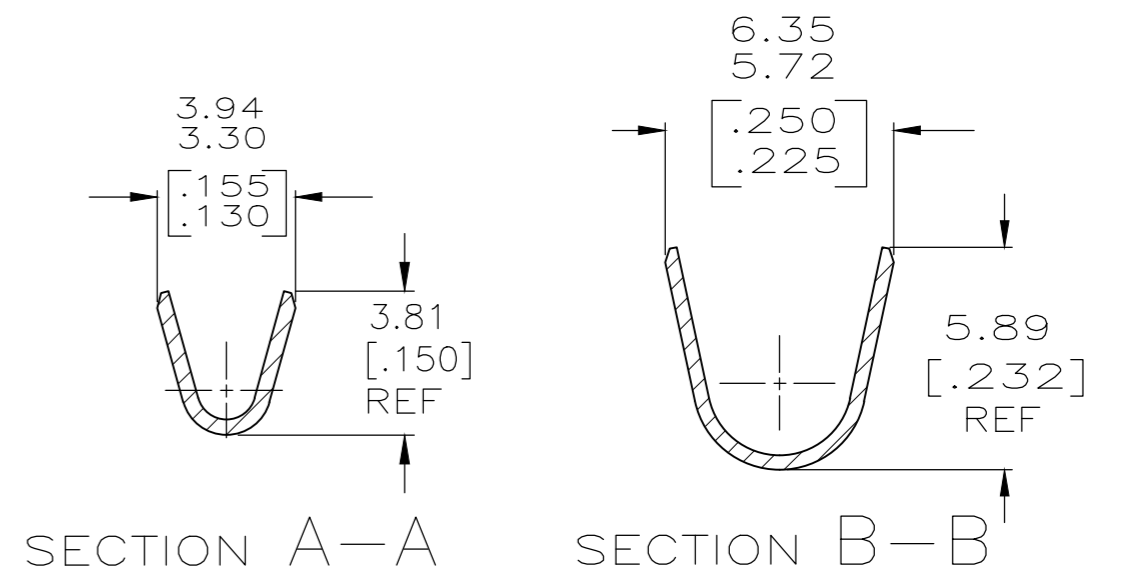


THIS DRAWING IS UNPUBLISHED. RELEASED FOR PUBLICATION  
 © COPYRIGHT - By - ALL RIGHTS RESERVED.

| LOC |     | DIST        |  | REVISIONS                 |         |      |    |
|-----|-----|-------------|--|---------------------------|---------|------|----|
| P   | LTR | DESCRIPTION |  | DATE                      | DWN     | APVD |    |
| AF  | 50  | G4          |  | REVISED PER ECR-19-018127 | 10AUG20 | AA   | EW |



- 1 FASTON TAB BASE #1217166, ARE USED IN THIS PRODUCT.
- 2 WIRE SIZE IS [#18-#14] AWG.
- 3 INSULATION RANGE IS 3.30-4.57 [.130-.180] DIA.
- 4 MATES WITH A 6.35 X 0.81 [.250 X .032] RECEPTACLE.
- 5 MATERIAL & FINISH  
 TERMINAL - BRASS, SEE TABLE  
 HOUSING - 6/6 NYLON, NATURAL
- 6 PRELIMINARY -NOT FOR PRODUCTION



|              |          |           |
|--------------|----------|-----------|
| NICKEL PLATE | 521217-3 | 6         |
| TIN PLATE    | 521217-2 |           |
| OBSOLETE     | -        | -521217-1 |
| FINISH       | PART NO. |           |

THIS DRAWING IS A CONTROLLED DOCUMENT.

|                  |          |         |
|------------------|----------|---------|
| DWN              | JR RUTH  | 20MAY99 |
| CHK              | MS FEHER | 20MAY99 |
| APVD             | J HUMMEL | 20MAY99 |
| PRODUCT SPEC     | 108-1285 |         |
| APPLICATION SPEC | 114-2124 |         |
| MATERIAL         | FINISH   | WEIGHT  |
| 5                | 5        | -       |

|                  |           |            |               |
|------------------|-----------|------------|---------------|
| SIZE             | CAGE CODE | DRAWING NO | RESTRICTED TO |
| A2               | 00779     | C=521217   | -             |
| CUSTOMER DRAWING |           | SCALE      | SHEET         |
|                  |           | 5:1        | 1 OF 1        |
|                  |           | REV        | G4            |

TE Connectivity  
 ASSEMBLY, TAB, ULTRA-POD, 6.35 [.250] SERIES