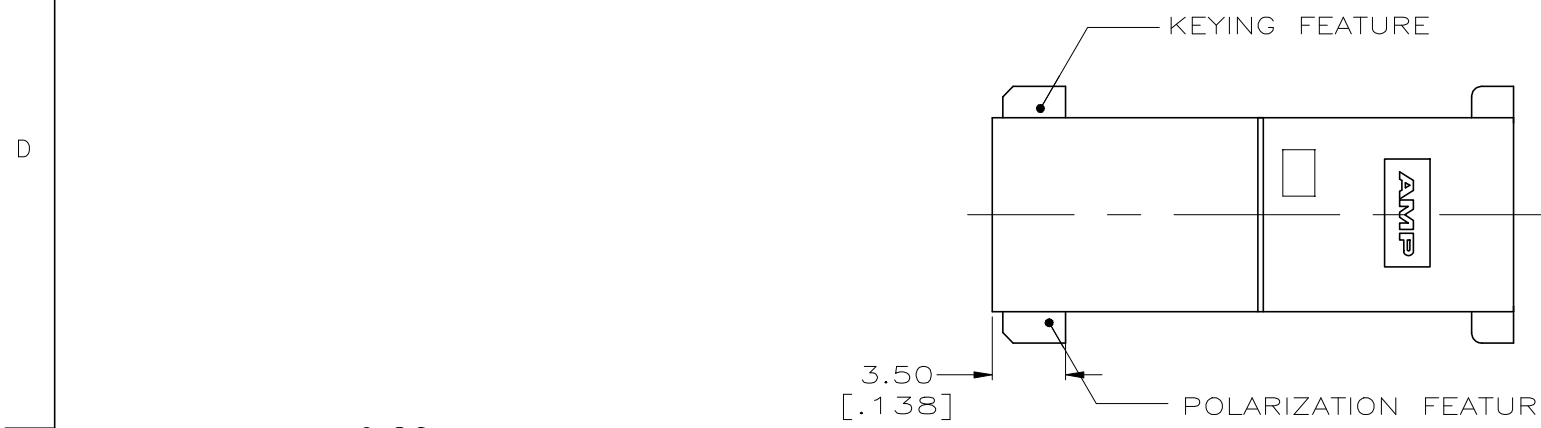
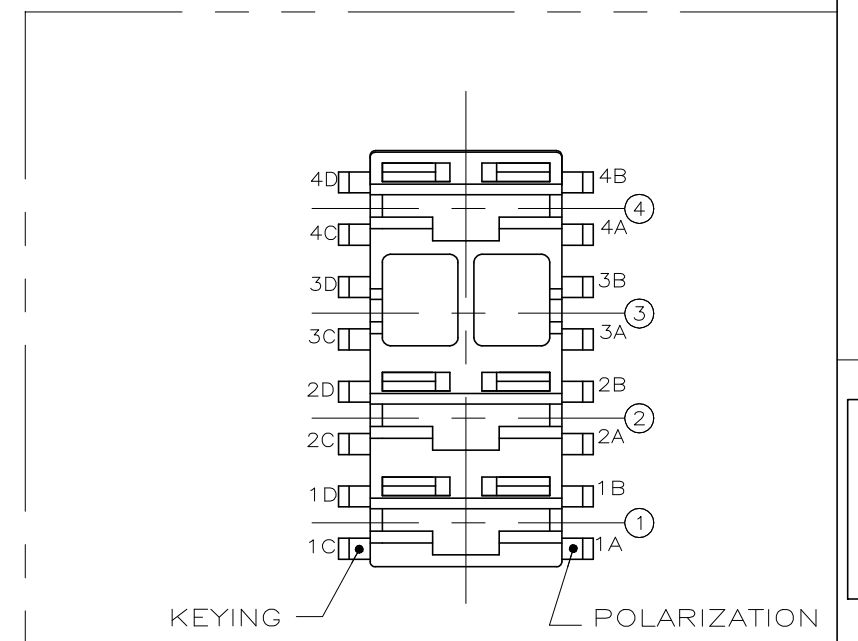
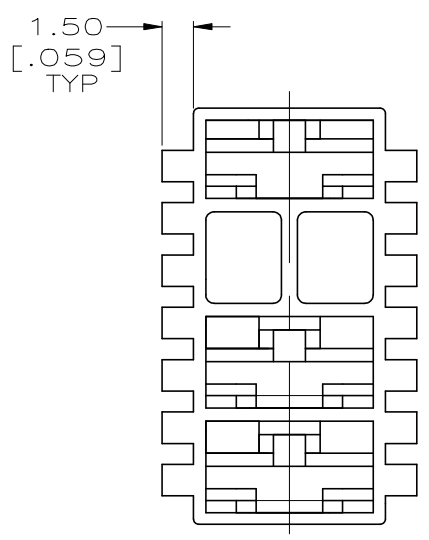
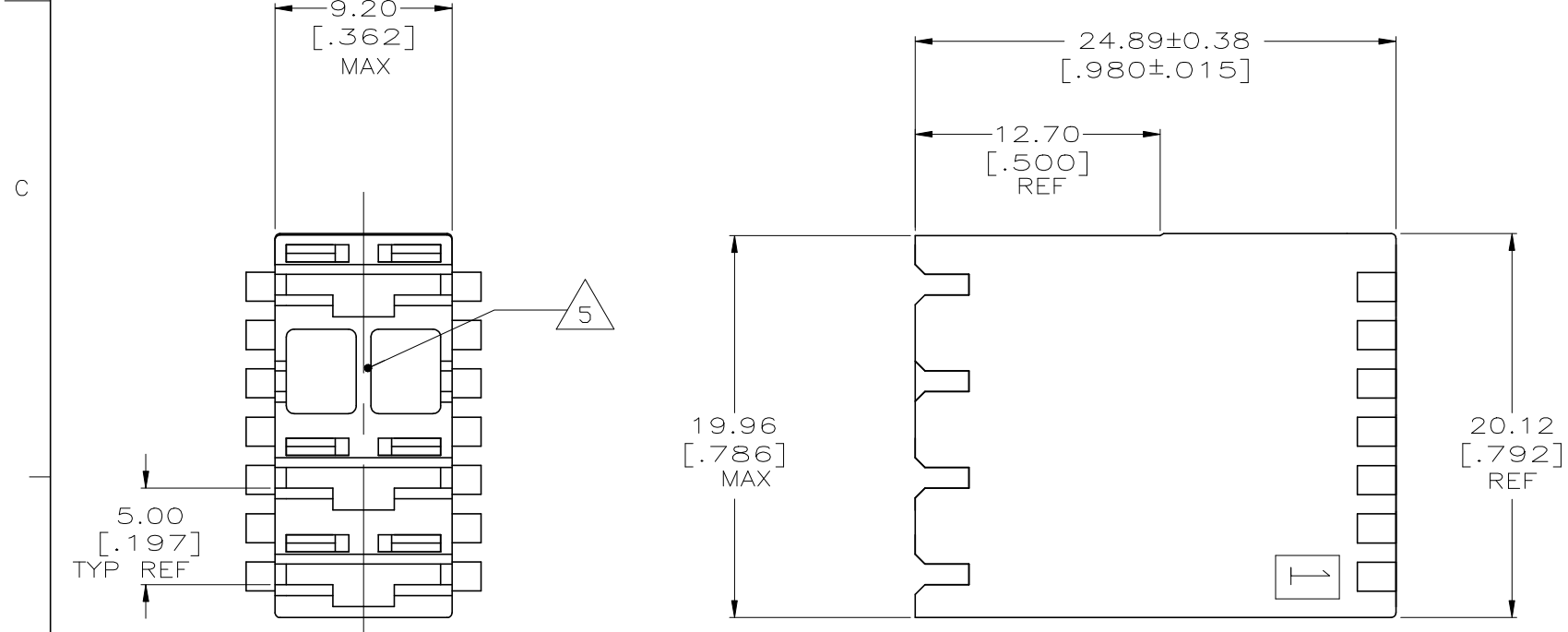


REVISIONS					
P	LTR	DESCRIPTION	DATE	DWN	APVD
	P2	ECR-19-008615	03JUN2019	KD	FL

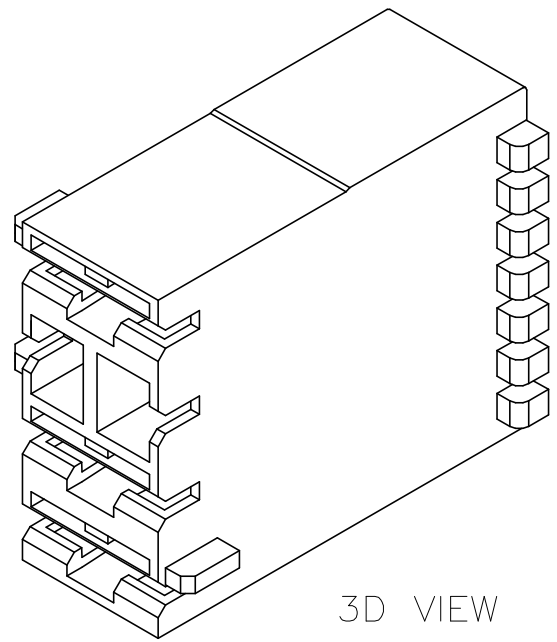


- ACCEPTS RAST P-LOCK CONTACTS. FOR EXAMPLE,
 - 1217378(#18-#22 AWG SINGLE WIRE)
 - 1217094(#18-#14 AWG SINGLE WIRE)
 - 1217095(2x #18'S, 2x #16'S, #16 + #18 COMBINATION).
 - 2238135(#16-#18 AWG SINGLE WIRE, 2x #18)
 - 2238136(#18-#22 AWG SINGLE WIRE)
- FRONT AND BACK VIEWS SHOW ONLY THE GRIPPERS. FOR KEYING AND POLARIZATION FEATURES, SEE SPECIAL FRONT VIEW.
- TAB SHOULDER SLOTS OPTIONAL ON BOTH SIDES OF DUMMY CIRCUIT.

- △ 4 MATERIAL: UL94 V0, GWPT 750°C NO FLAME ACCORDING TO IEC-60335-1
- △ 5 BLOCKED CAVITY LOCATION



KEYING & POLARIZATION CODING AND COMBINATIONS
 SPECIAL FRONT VIEW



3D VIEW

OBSOLETE	4	04-A	NATURAL	3C, 4D	1B	△ 4 1-521295-1
	3	---	BLUE	NONE	NONE	521295-3
	3	04-A	NATURAL	3C, 4D	1B	521295-2
	3	---	BLUE	NONE	NONE	521295-1
△ 5	BLOCKED CAVITY LOCATION	RAST 5 DESIGNATION	COLOR	KEYING FEATURE	POLARIZATION FEATURES	PART NO.

THIS DRAWING IS A CONTROLLED DOCUMENT.

DIMENSIONS: mm	TOLERANCES UNLESS OTHERWISE SPECIFIED:	DWN: JR RUTH 14APROO	TE Connectivity HOUSING, RECEPT, POSITIVE-LOCK, MKIII, 6.35[.250] SERIES, 4 POSITION/3 CIRCUIT
	0 PLC ± -	CHK: MS FEHER 14APROO	
	1 PLC ± -	APVD: D BRATINA 14APROO	
	2 PLC ± 0.25 [.010]	NAME: PRODUCT SPEC	
	3 PLC ± -	APPLICATION SPEC: 114-2074	SIZE: A2
	4 PLC ± -	WEIGHT: 00779	CAGE CODE: C-521295
	ANGLES ± -	CUSTOMER DRAWING	RESTRICTED TO: -
MATERIAL: NYLON	FINISH: SEE TABLE	SCALE: 4:1	SHEET: 1 OF 2
		REV: P2	

REVISIONS					
P	LTR	DESCRIPTION	DATE	DWN	APVD
-		SEE SHEET 1	-	-	-



P/N	521295-*	1-521295-1
FRONT VIEW		
BLOCKED CAVITY LOCATION	3	4

THIS DRAWING IS A CONTROLLED DOCUMENT.		DWN JR RUTH 14ARP2000		
DIMENSIONS: MM		CHK MS FEHER 14APR2000		
		APVD D BRATINA 14APR2000	NAME HOUSING, RECEPT, POSITIVE-LOCK, MKIII, 6.35(.250) SERIES, 4 POSITION/3CIRCUIT	
TOLERANCES UNLESS OTHERWISE SPECIFIED: 0 PLC ± 1 PLC ± 2 PLC ±0.25 (.010) 3 PLC ± 4 PLC ± ANGLES ±		PRODUCT SPEC -	SIZE A2	
MATERIAL NYLON		APPLICATION SPEC 114-2074	CAGE CODE 00779	DRAWING NO C=521295
FINISH -		WEIGHT -	SCALE 4:1	RESTRICTED TO -
CUSTOMER DRAWING			SHEET 2 OF 2	REV P2