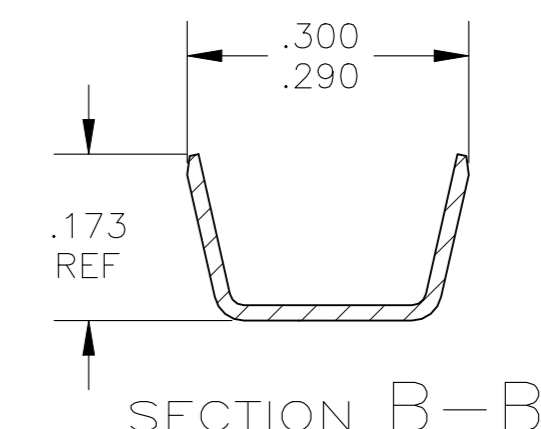
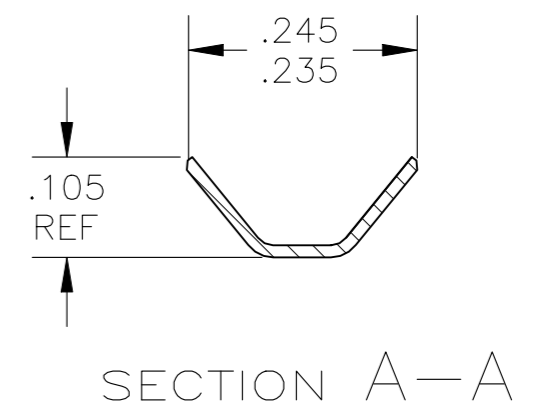
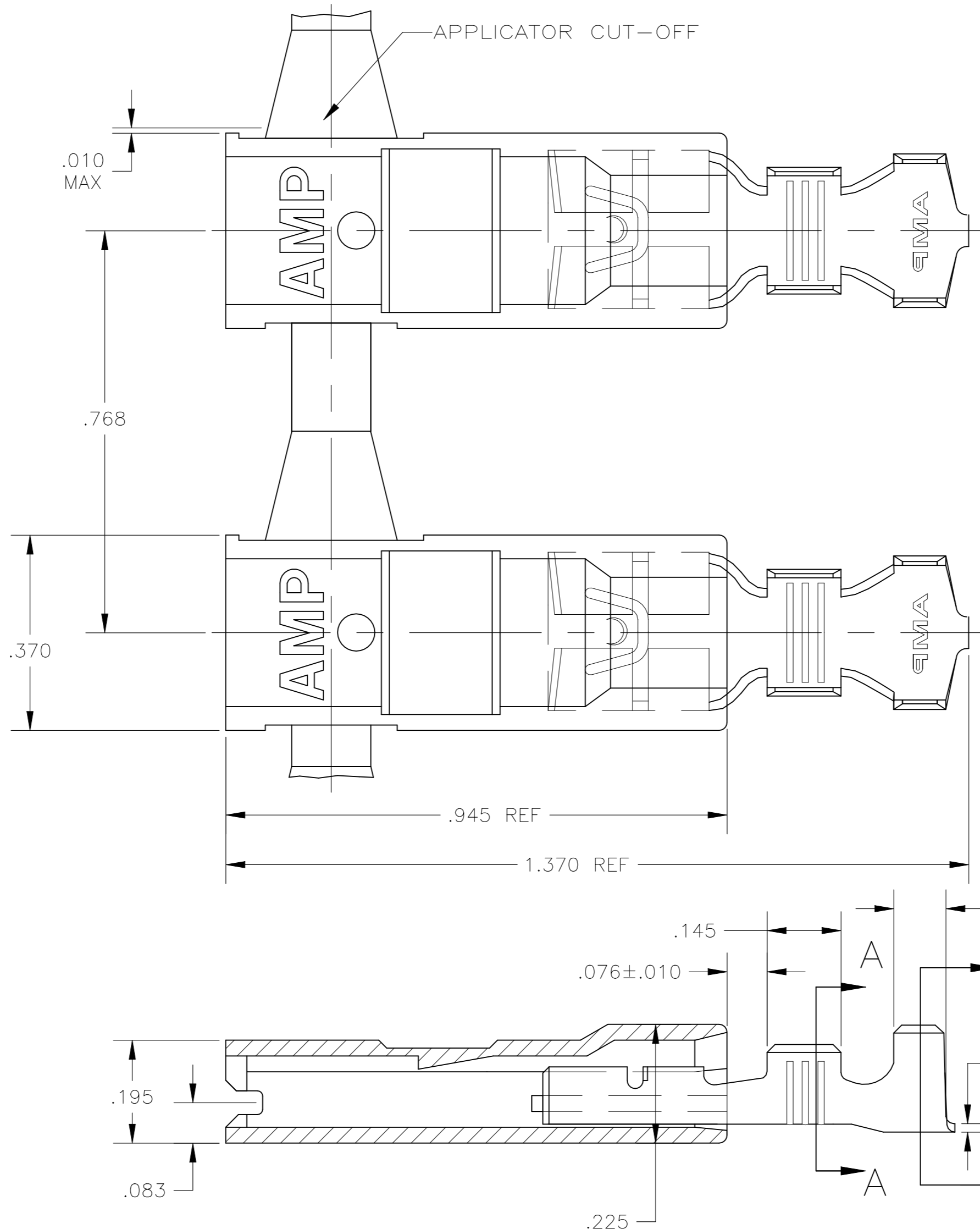


REVISIONS				
P	LTR	DESCRIPTION	DATE	APVD
B7		REVISED PER ECR-22-160893	15DEC2022	DB BW



1 LOW-INSERTION FASTON TERMINALS ARE USED IN THIS PRODUCT.

2 NOTE REMOVED

3 WIRE SIZE IS 18-14 OR TWO 18'S AWG OR TWO 20'S AWG

4 INSULATION RANGE IS .110-.170 DIA OR TWO .105 MAX DIA

5 MATING TAB THK IS .032±.001

6 PREPRODUCTION - F.A.S.R. REQUIRED.

STANDARD	6/6 NYLON, NATURAL	BRASS - TIN	521637-2
STANDARD	6/6 NYLON, NATURAL	BRASS - PLAIN	521637-1
PACKAGING	HOUSING MATERIAL & FINISH	TERMINAL MATERIAL & FINISH	PART NO.

THIS DRAWING IS A CONTROLLED DOCUMENT.		DWN	JR RUTH	22MAY03		TE Connectivity											
DIMENSIONS: INCHES		CHK	MS FEHER	22MAY03		NAME											
TOLERANCES UNLESS OTHERWISE SPECIFIED:		APVD	J HUMMEL	22MAY03		PRODUCT SPEC											
0 PLC ± - 1 PLC ± - 2 PLC ± - 3 PLC ± .010 4 PLC ± - ANGLES ± -		APPLICATION SPEC		108-1285													
MATERIAL SEE TABLE		FINISH SEE TABLE		WEIGHT		0.000000	SIZE	A2	CAGE CODE	00779	DRAWING NO	C=521637	RESTRICTED TO	-			
CUSTOMER DRAWING												SCALE	5:1	SHEET	1 of 1	REV	B7