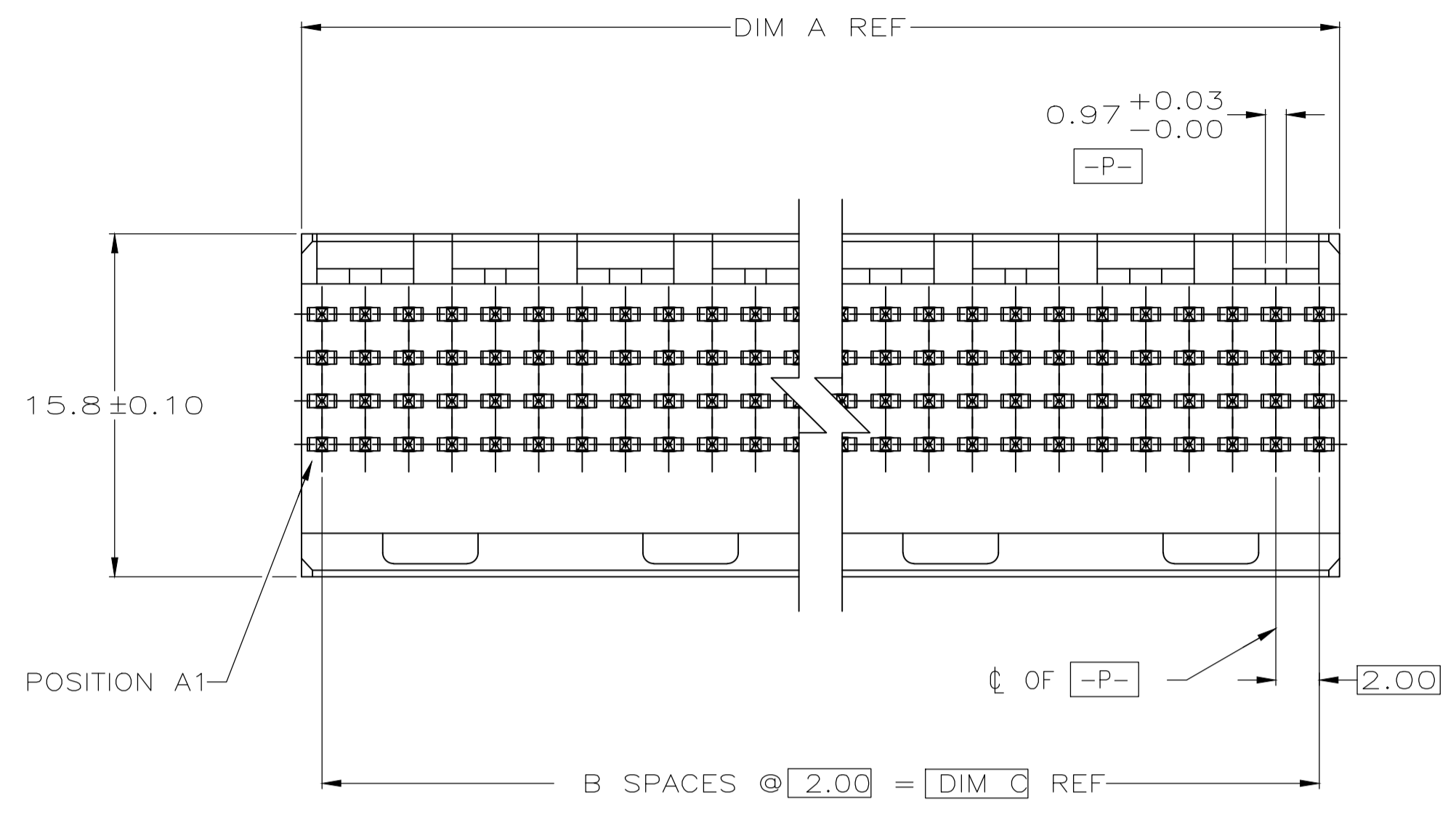
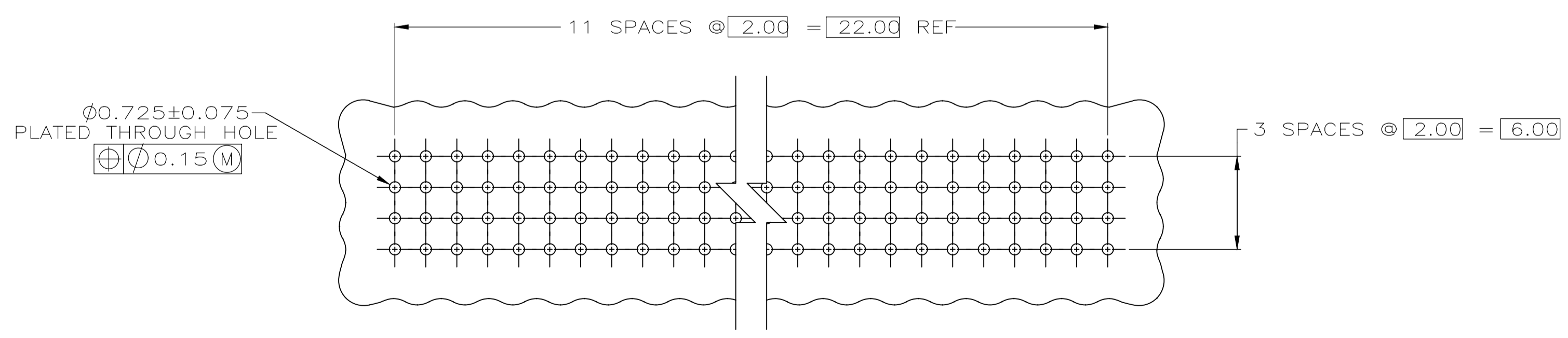
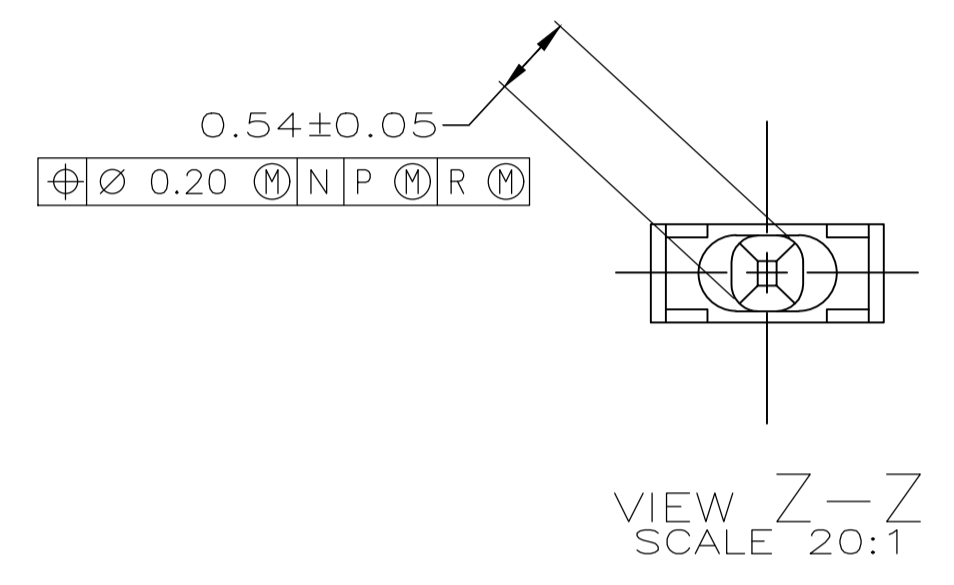
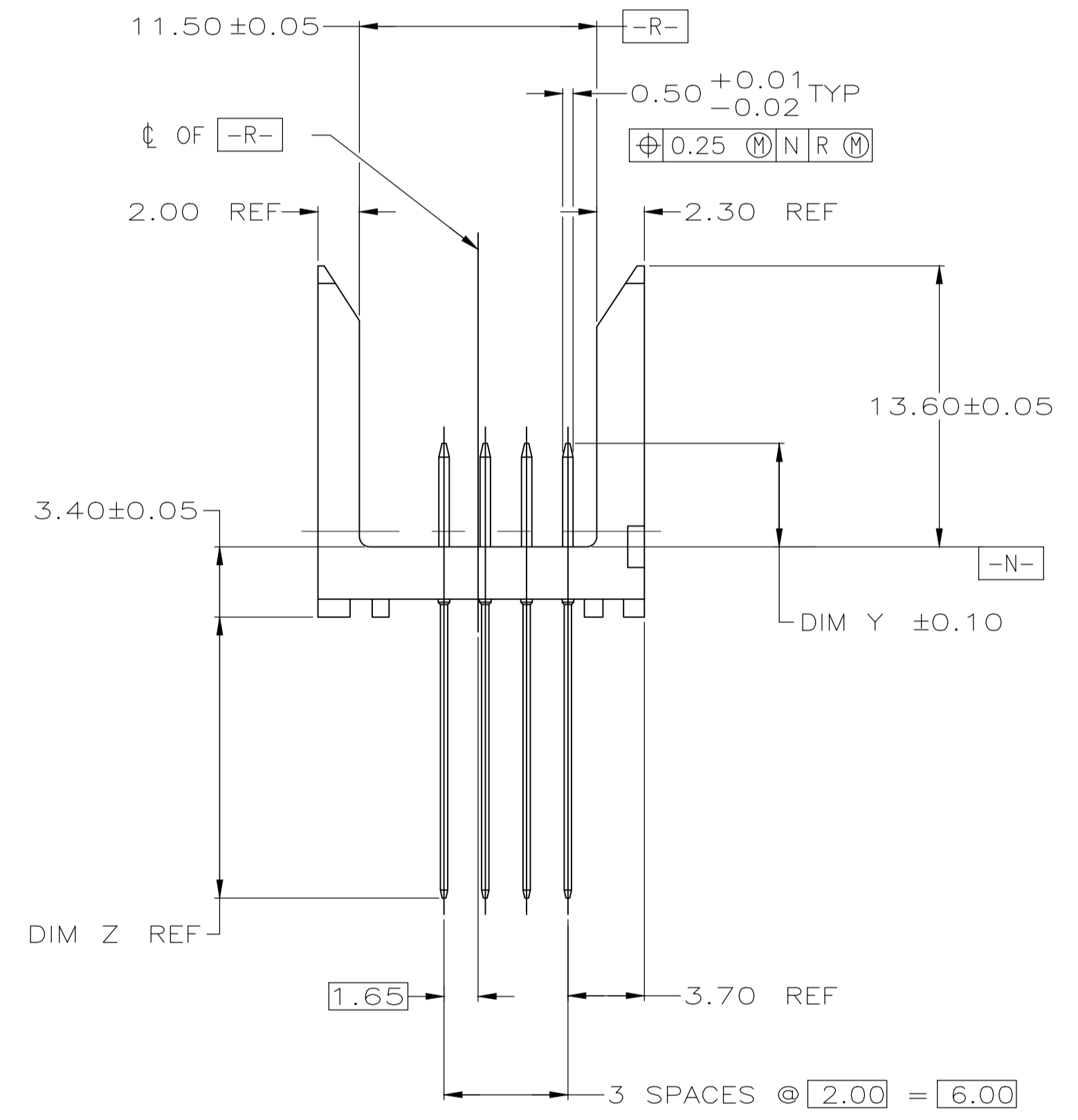
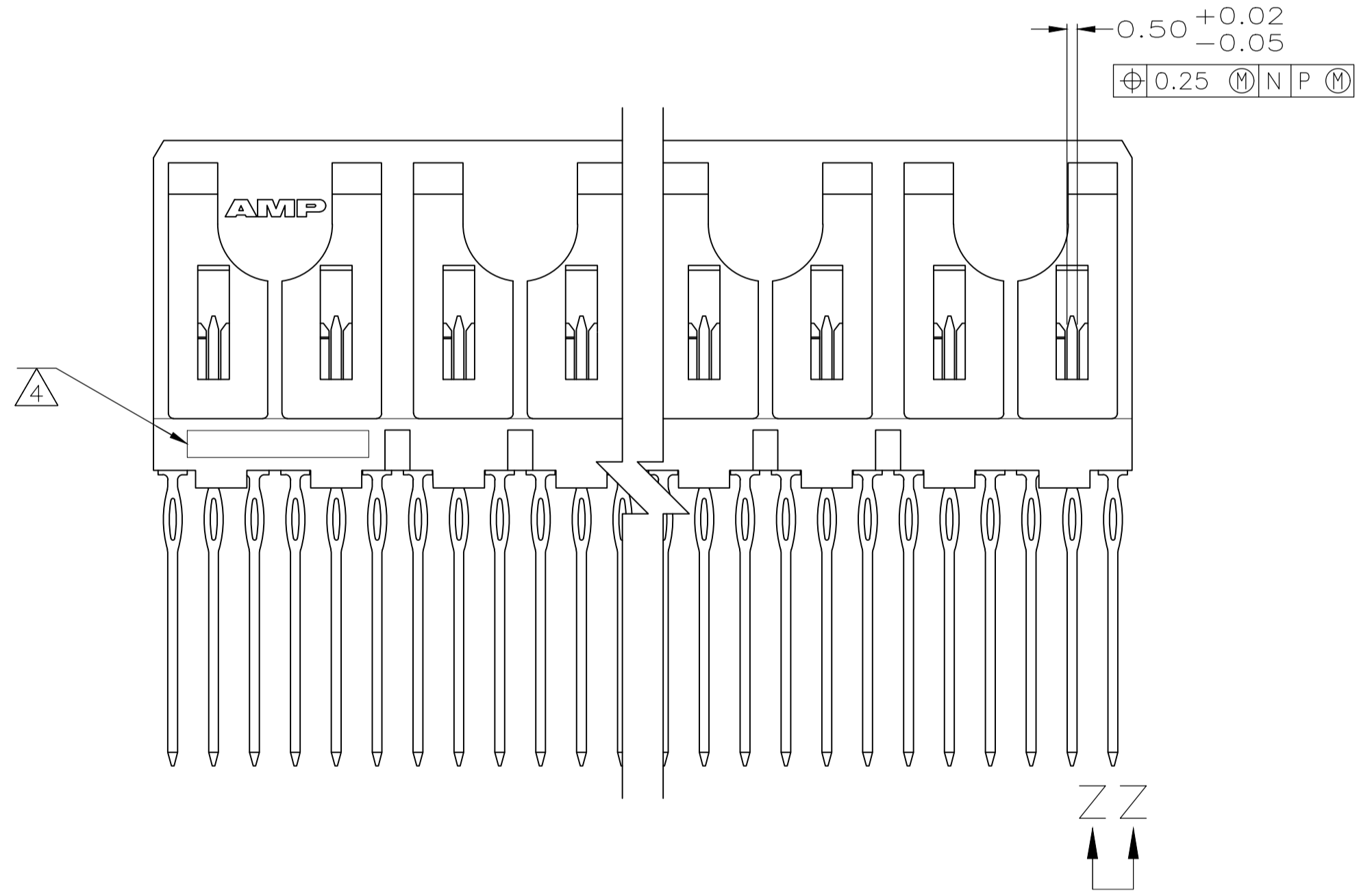


REVISIONS				
REV	DESCRIPTION	DATE	BY	APP'D
B	REVISED PER ECO-20-013368	23SEP2020	RZ	HL



- △ HOUSING MATERIAL: LIQUID CRYSTAL POLYMER.
COLOR: NATURAL.
- △ CONTACT MATERIAL: PHOSPHOR BRONZE.
- △ CONTACT FINISH:(B)
UNDERPLATE (ENTIRE CONTACT):
0.00127 MIN NICKEL PER SAE-AMS-QQ-N-290
ON MATING SURFACES:
CONFORMS TO ALL TESTING SPECIFIED FOR TELCORDIA
UNCONTROLLED ENVIRONMENT.
ON LEADS:
0.0006 MIN MATTE TIN PER ASTM B 545 OVER UNDERPLATE.
LUBRICATION (MIN MATING SURFACES):
SURFACE CONDITIONER AFTER PLATING.
- △ PART MARKING, LOCATED APPROXIMATELY AS SHOWN.



RECOMMENDED CIRCUIT PATTERN
PER IPC-D300 TYPE II, CLASS C
(COMPONENT SIDE)

OBsolete	46.00	23	47.88	96	5223633-3
	22.00	11	23.88	48	5223633-2
	10.00	5	11.88	24	5223633-1
	C	B	A	NUMBER OF POSITIONS	PART NUMBER

THIS DRAWING IS A CONTROLLED DOCUMENT.

DIMENSIONS: mm	TOLERANCES UNLESS OTHERWISE SPECIFIED:	DWG: B.MCMMASTER 15DEC04	DATE: 15DEC04
0 PLC ± -	1 PLC ± -	CHK: R.WERTZ 15DEC04	NAME: R.WERTZ
2 PLC ± 0.13	3 PLC ± -	PRODUCT SPEC: -	APPLICATION SPEC: -
4 PLC ± -	ANGLES ± -	SIZE: A1	CAGE CODE: 00779
MATERIAL: -	FINISH: -	WEIGHT: 0	DRAWING NO: 5223633
		CUSTOMER DRAWING	SCALE: 4:1

STE TE Connectivity
 PIN ASSY Z-PACK 2mm FB
 SIGNAL VERTICAL 4R MULTI POS
 FEED THROUGH PRESS FIT LEADS
 SHEET 1 OF 2
 REV B

