
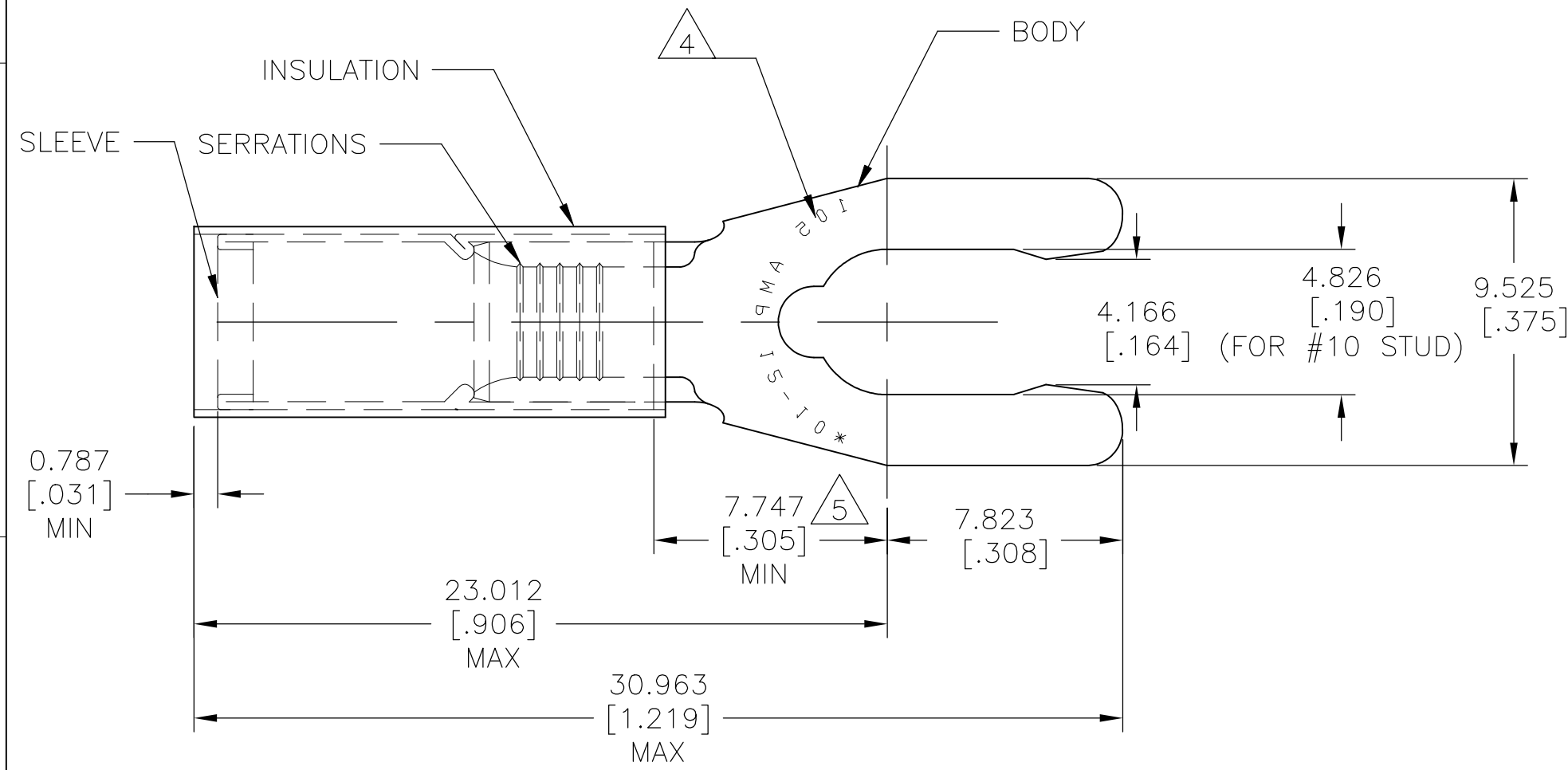



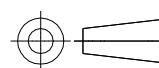
REVISIONS					
P	LTR	DESCRIPTION	DATE	DWN	APVD
	F1	NEW DRAWING PER ECO-11-019045	09APR12	KH	DR
	F2	REVISED PER ECO-17-008114	31MAY2018	RS	DR

<b>AMP</b> WIRE RANGE	 Listed FILE E13288
12-10 AWG SOLID OR STRANDED	12-10 AWG SOLID OR STRANDED



- 1 FOR WIRE INSULATION DIA:  
3.810[.150] TO 6.350[.250]
- 2 NOTE DELETED
- 3 BODY MATERIAL THK: 0.991±0.051[.039±.002]
- 4 STAMP 10S AMP 12-10\* APPROX AS SHOWN
- 5 APPLIES FROM EDGE OF METAL  
WIRE BARREL TO CENTER OF STUD
- 6 MATERIAL:  
BODY: PHOSPHOR BRONZE PER ASTM B103  
SLEEVE: COPPER PER ASTM B152  
INSULATION: NYLON
- 7 FINISH:  
BODY & SLEEVE: TIN PLATE PER ASTM B545  
INSULATION: COLOR-YELLOW

1	500	LOOSE PIECE	52432-1
	QTY	PACKAGE TYPE	PART NO

<b>AMP INCORPORATED</b> <b>CUSTOMER SERVICE SYSTEMS</b>		THIS DRAWING IS A CONTROLLED DOCUMENT.		DWN KIRAN HOLAL 27MAR12	 TE Connectivity Ltd.			
		DIMENSIONS: mm [INCHES]	TOLERANCES UNLESS OTHERWISE SPECIFIED:	CHK ROHDE DANIEL 27MAR12				
FOR ADDITIONAL PRODUCT INFORMATION OR COPIES OF DRAWINGS AND TECHNICAL DOCUMENTS	PRODUCT INFORMATION CENTER 1-800-522-6752	RECOMMENDED OPERATING TEMPERATURE: 105°C [221°F]	0 PLC ± - 1 PLC ± - 2 PLC ± - 3 PLC ± 0.127[.005] 4 PLC ± - ± 5°	APVD ROHDE DANIEL 27MAR12	NAME WIRE TERMINAL P.I.D.G SPRING SPADE WIRE SIZE: 12-10 AWG			
FOR APPLICATION TOOLING INFORMATION	TOOLING ASSISTANCE CENTER 1-800-722-1111	VOLTAGE RATING: 300V MAX		PRODUCT SPEC UL 486 A-B	SIZE	CAGE CODE	DRAWING NO	RESTRICTED TO
FOR ORDER ENTRY	1-800-526-5142	WIRE CROSS SECTIONAL AREA RANGE: 2.62-6.64mm <sup>2</sup> [5,180-13,100] SOLID OR STRANDED	MATERIAL 6	FINISH 7	114-2157	A300779	C-52432	-
				CUSTOMER DRAWING	SCALE 5:1	SHEET 1 OF 1	REV F2	