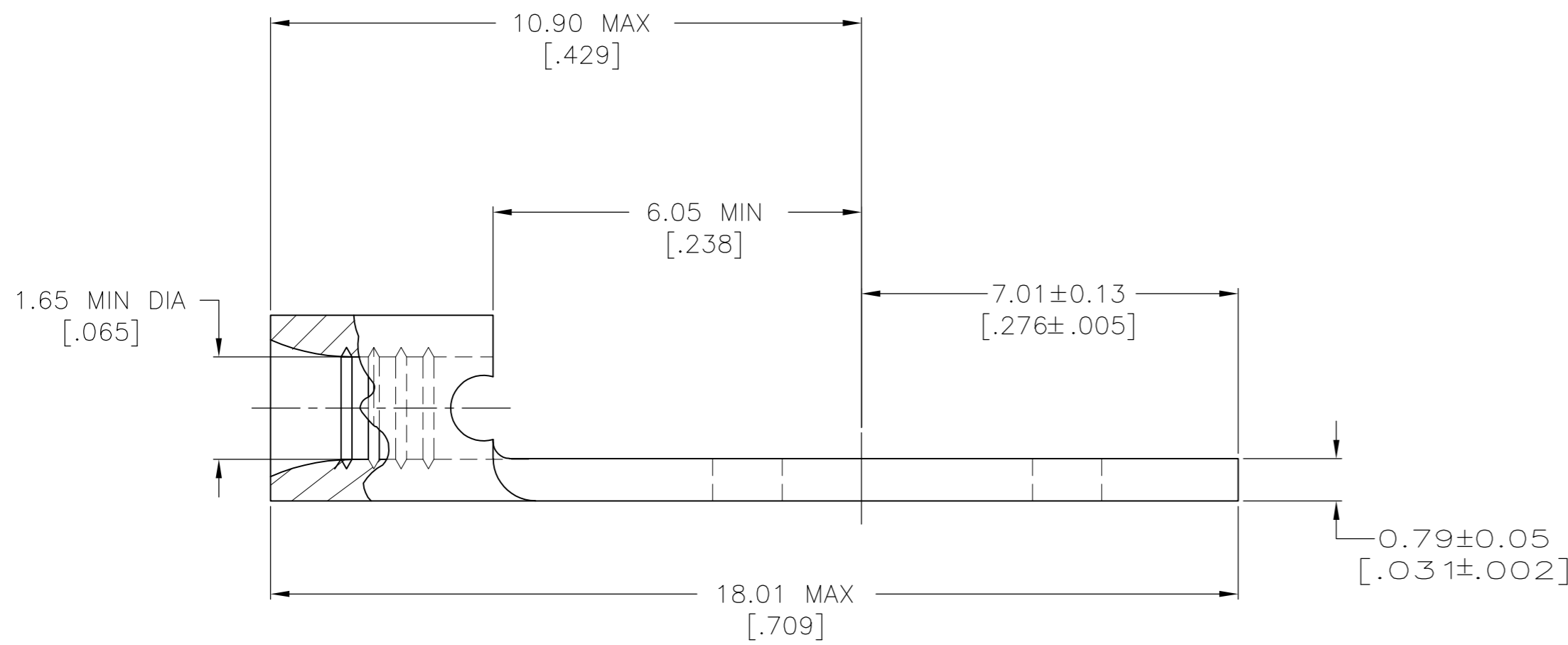
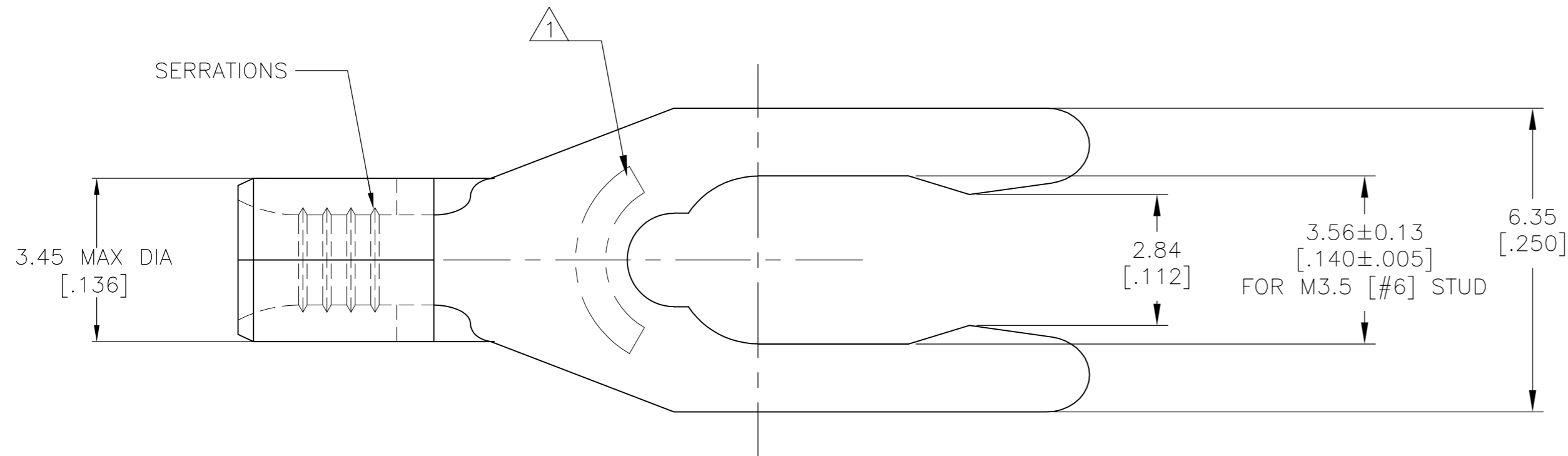


THIS DRAWING IS UNPUBLISHED. RELEASED FOR PUBLICATION  
 © COPYRIGHT - By - ALL RIGHTS RESERVED.

LOC	DIST	REVISIONS					
		P	LTR	DESCRIPTION	DATE	DWN	APVD
G	14	B1		REVISED PER ECO-14-016783	06NOV2014	NK	DR



<b>AMP</b> WIRE RANGE	Listed FILE E13288	LR7189 Certified
22-16 AWG STRANDED	22-16 AWG STRANDED	NOT CERTIFIED

- 1 STAMP 6S AMP 22-18\* APPROX AS SHOWN  
22-16 TERMINALS ARE STAMPED 22-18 IN  
ACCORDANCE WITH MILITARY SPECIFICATION  
SAE AS 7928; COMMERCIAL WIRE RANGE IS 22-16  
6S INDICATES STUD SIZE.
- 2 PHOSPHOR BRONZE PER ASTM B-103, ANNEALED
- 3 TIN PLATE 0.00254 [.000100] MIN PER  
ASTM B-545
- 4 MAX RECOMMENDED OPERATING TEMP 170°C [338°F]
- 5 WIRE CROSS SECTIONAL AREA RANGE:  
0.26-1.65mm<sup>2</sup> [509-3,260] CIR MILS  
STRANDED

52700

52700-1  
PART NO.

THIS DRAWING IS A CONTROLLED DOCUMENT.		DWN TA BRINKMAN 2-15-93	TE Connectivity	
DIMENSIONS: MM [INCHES]		CHK DA PATTERSON 2-15-93		
TOLERANCES UNLESS OTHERWISE SPECIFIED:		APVD JL MECKLEY 2-15-93	NAME TERMINAL, LONG SPRING SPADE, BUDGET	
0 PLC ± -	1 PLC ± -	PRODUCT SPEC	SIZE	CAGE CODE
2 PLC ± 0.20 [.008]	3 PLC ± -	APPLICATION SPEC	A2	00779
4 PLC ± -	ANGLES ± -	WEIGHT	DRAWING NO	RESTRICTED TO
MATERIAL	FINISH	-	C=52700	-
2	3	CUSTOMER DRAWING	SCALE 10:1	SHEET 1 of 1
			REV	B1