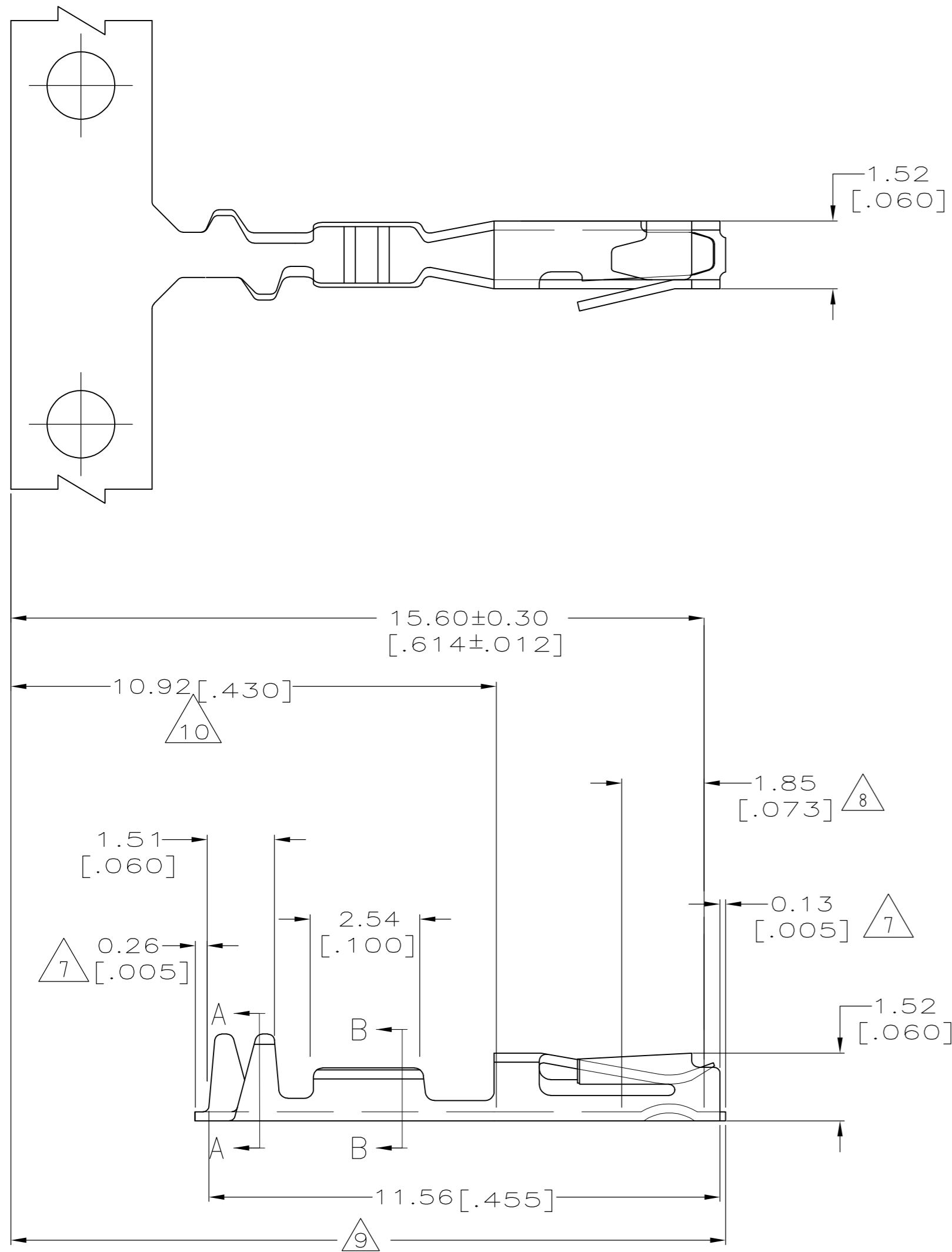
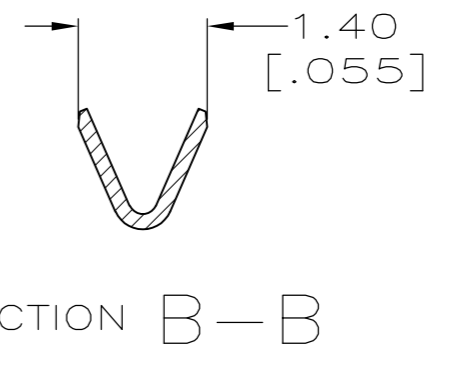
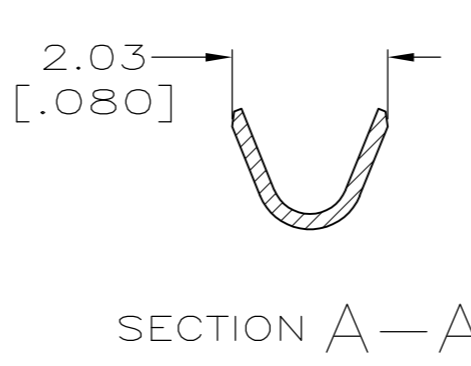


THIS DRAWING IS UNPUBLISHED. RELEASED FOR PUBLICATION
 © COPYRIGHT BY TYCO ELECTRONICS CORPORATION. ALL RIGHTS RESERVED.

LOC	DIST	REVISIONS			
P	LTR	DESCRIPTION	DATE	DWN	APVD
AA	00				
	H	ECO-06-009878	27JULY2006	LAM	AF
	H1	REV PER ECO-10-000030	10DEC09	KK	AEG



1. WIRE RANGE 28-32 AWG.
2. INSULATION RANGE 0.64-1.37 [.025-.054] DIA.
3. 0.00254 [.000100] MIN TIN-LEAD OVER 0.000762 [.000030] MIN NICKEL.
4. PREPLATED 0.00127 [.000050] MIN TIN-LEAD IN ZONES I & II, 0.000762 [.000030] MIN GOLD OVER 0.000762 [.000030] MIN NICKEL INLAY IN ZONE III.
5. PREPLATED 0.00127 [.000050] MIN TIN-LEAD IN ZONES I & II, 0.000381 [.000015] MIN GOLD OVER 0.000762 [.000030] MIN NICKEL INLAY IN ZONE III.
6. PHOSPHER BRONZE
7. MAXIMUM CUTOFF
8. ZONE III (INSIDE SURFACES).
9. ZONE I (OUTSIDE SURFACES).
10. ZONE II (INSIDE SURFACES).
11. SUPERSEDED BY 5530901-6



OBSOLETE	5	530901-7	11 530901-6
OBSOLETE	3	530901-5	530901-4
	4	530901-3	530901-2
		FINISH	LOOSE PIECE PART NO
			STRIP PART NO

THIS DRAWING IS A CONTROLLED DOCUMENT.		DWN B. HAYMAKER 25JAN99	Tyco Electronics Corporation Harrisburg, PA 17105-3608	
DIMENSIONS: mm	TOLERANCES UNLESS OTHERWISE SPECIFIED:	CHK S. BOLASH 25JAN99	NAME S. BOLASH	
	0 PLC ± -	APVD S. BOLASH 25JAN99	PRODUCT SPEC 108-25031	
	1 PLC ± -		APPLICATION SPEC 114-25021	
	2 PLC ± -		SIZE A2	CAGE CODE 00779
	3 PLC ± 0.13 [.005]		DRAWING NO C=530901	RESTRICTED TO -
	4 PLC ± -		SCALE 4:1	SHEET 1 OF 1
MATERIAL SEE NOTE 6	FINISH SEE TABLE	WEIGHT -	REV H1	
CUSTOMER DRAWING				

530901

A