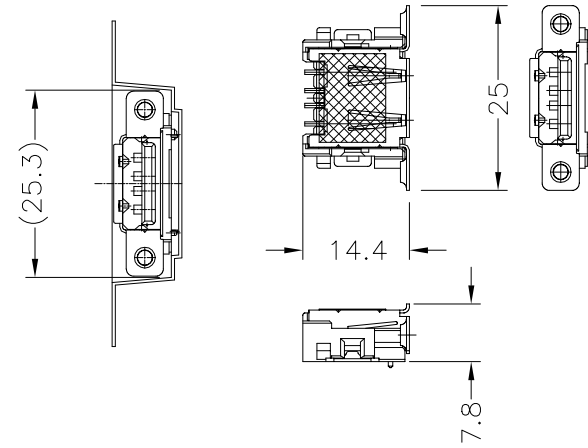
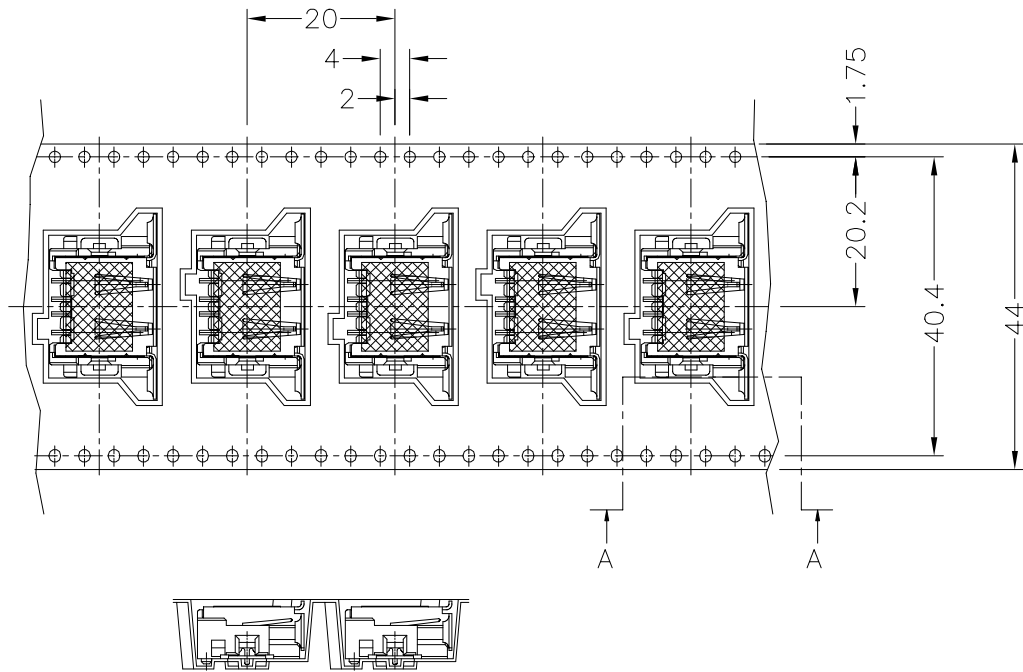


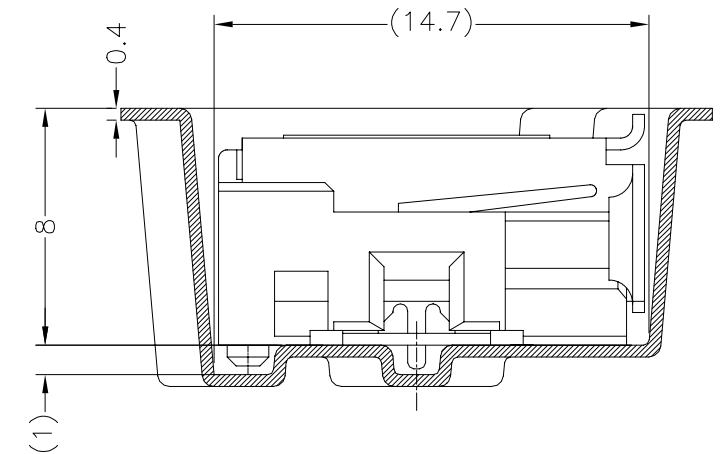
REVISIONS

P	LTR	DESCRIPTION	DATE	DWN	APVD
P1		ECR-21-101984	21APR2021	RR	SZ

DIRECTION OFF TOP OF REEL →

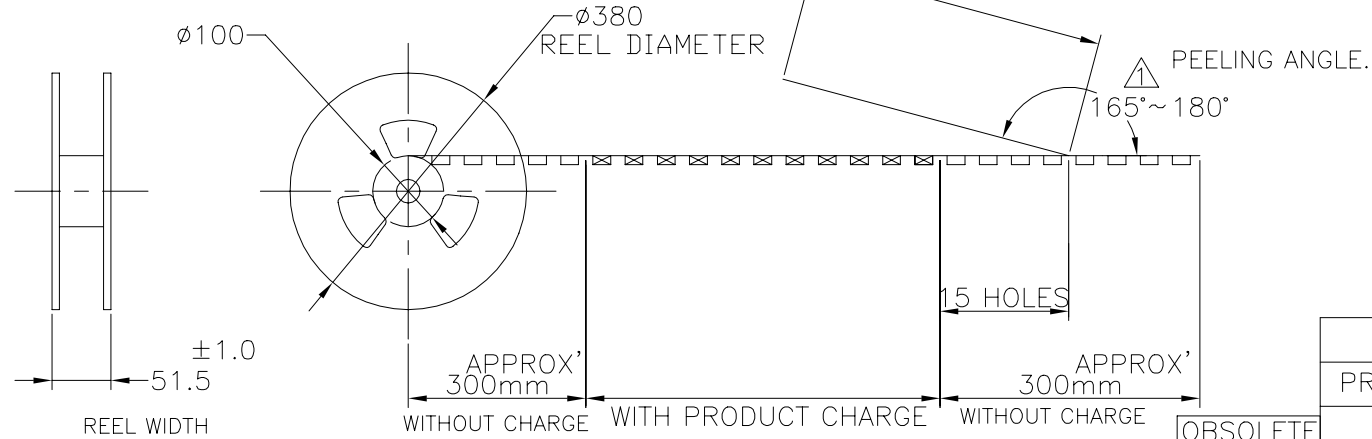


CONNECTOR DETAIL



SECT B-B  
(4:1)

FLANGE CORE DIAMETER



WEEDING THE COVER TAPE AROUND THE OUTER PERIPHERY IN A TURN.

PEELING ANGLE.  
165°~180°

5353929-1, 2

Notes

- 1. PRELIMINARY PRODUCT DOES NOT BE PROMISED MANUFACTURE POSITIVELY.
- 2. OBSOLETE PARTS: OBSOLETE CIS STREAMLINING PER D.RENAUD/D.SINISI

OBSOLETE

PRODUCING	BLACK	350	4	1-6674429-2	5353929-6
PRELIMINARY NOT FOR PRODUCTION	WHITE	350	4	1-6674429-1	<del>5353929-5</del>
PRODUCING	BLACK	350	4	1-5353583-4	<del>5353929-4</del>
PRELIMINARY NOT FOR PRODUCTION	WHITE	350	4	1-5353583-3	<del>5353929-3</del>
PRELIMINARY NOT FOR PRODUCTION	BLACK	350	4	1-5353583-2	<del>5353929-2</del>
PRODUCING	WHITE	350	4	1-5353583-1	5353929-1
TOOLING STATUS	HOUSING COLOR	QTY	POS	CONN. P/N	PART NO.

THIS DRAWING IS A CONTROLLED DOCUMENT.

DWN J.JIANG 23MAR04

CHK S.YAO 23MAR04

APVD T.SASAKI 23MAR04

PRODUCT SPEC

108-5563

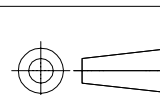
APPLICATION SPEC

**TE** TE Connectivity Ltd.

EMBOSS ASSY  
STD TYPE USB CONN. REC. WITH COVER TYPE

DIMENSIONS:  
MM

TOLERANCES UNLESS OTHERWISE SPECIFIED:



0 PLC ± 0.3  
1 PLC ±  
2 PLC ±  
3 PLC ±  
4 PLC ±  
ANGLES ± 5°

MATERIAL

FINISH

WEIGHT

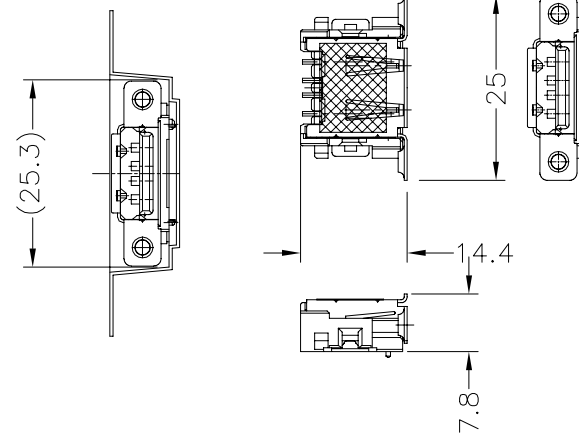
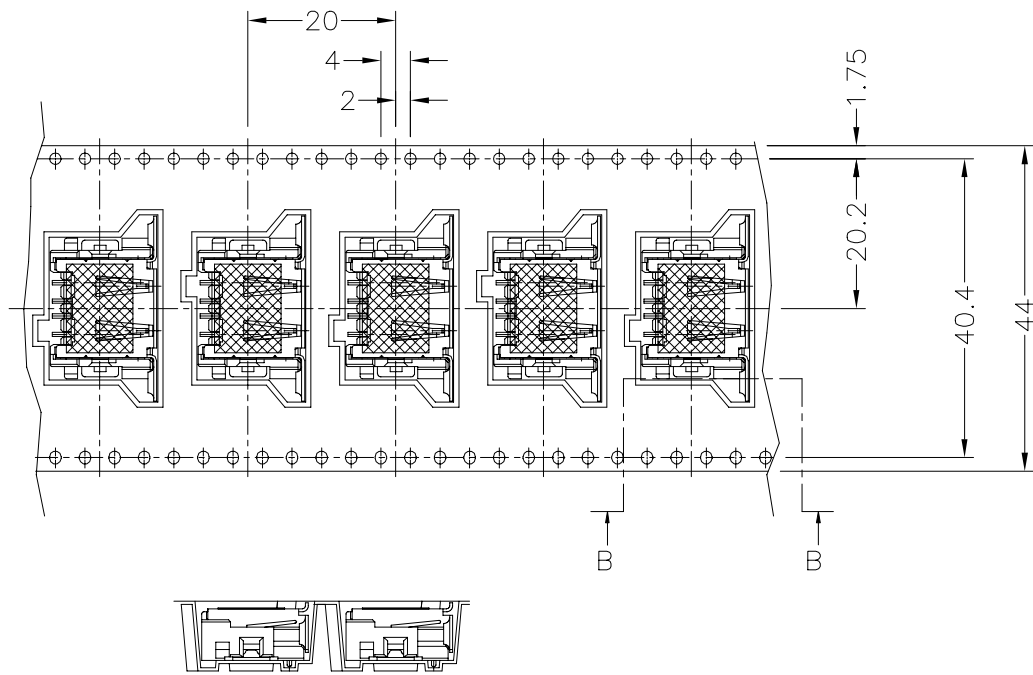
CUSTOMER DRAWING

SIZE	CAGE CODE	DRAWING NO	RESTRICTED TO
A3	00779	5353929	-

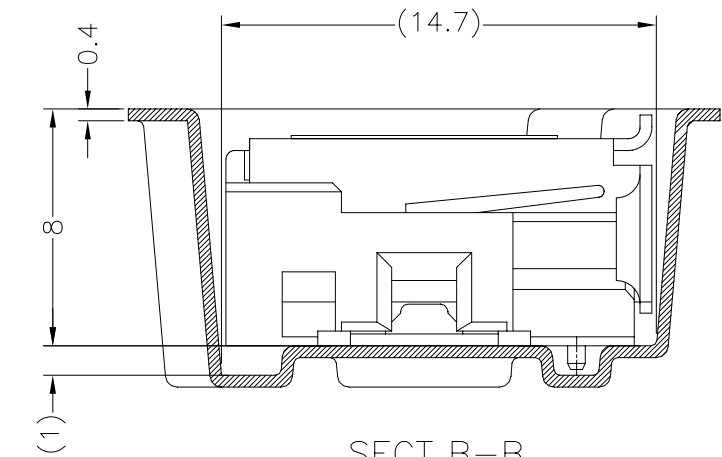
SCALE 1:1 SHEET 1 of 3 REV P1

P	LTR	DESCRIPTION	DATE	DWN	APVD
-	-	SEE SHEET 1	-	-	-

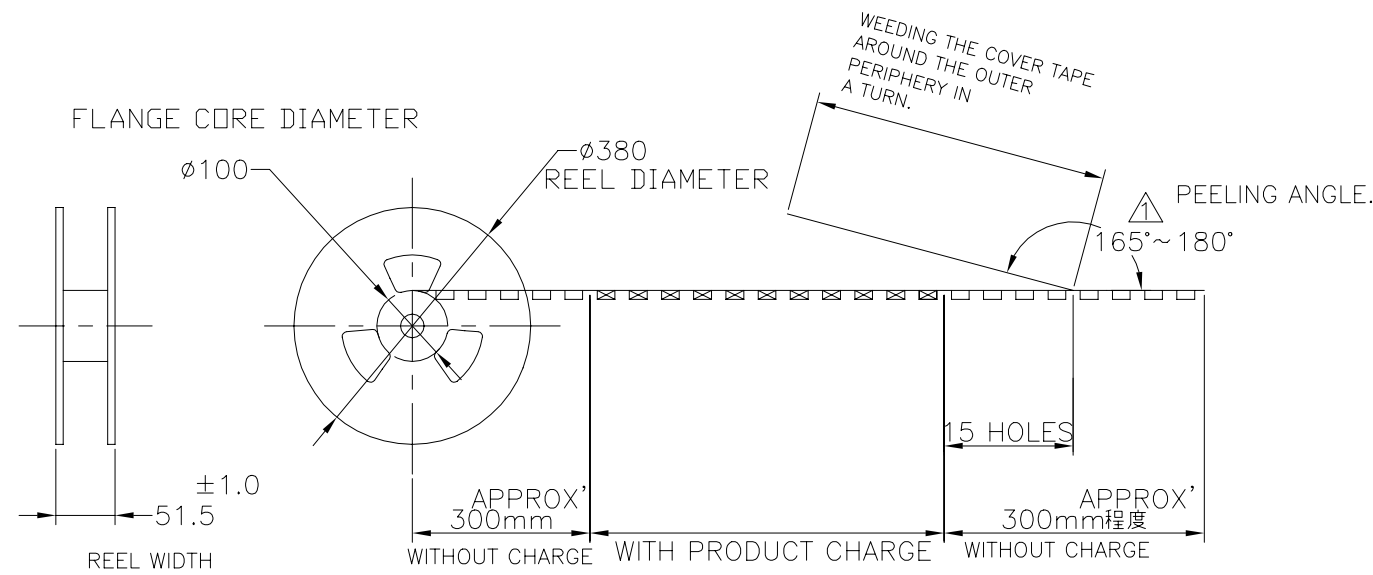
DIRECTION OFF TOP OF REEL →



CONNECTOR DETAIL



SECT B-B  
(4:1)



5353929-3,4

THIS DRAWING IS A CONTROLLED DOCUMENT.		DWN	TE Connectivity Ltd.					
DIMENSIONS: MM		CHK				NAME		
TOLERANCES UNLESS OTHERWISE SPECIFIED: 0 PLC ± 0.3 1 PLC ± 2 PLC ± 3 PLC ± 4 PLC ± ANGLES ± 5°		APVD				EMOSS ASSY STD TYPE USB CONN. REC. WITH COVER TYPE		
MATERIAL		PRODUCT SPEC				SIZE	CAGE CODE	DRAWING NO
FINISH		APPLICATION SPEC	A3	00779	C=5353929	-		
CUSTOMER DRAWING			WEIGHT	SCALE	SHEET	REV		
				1:1	2 of 3	P1		

4

3

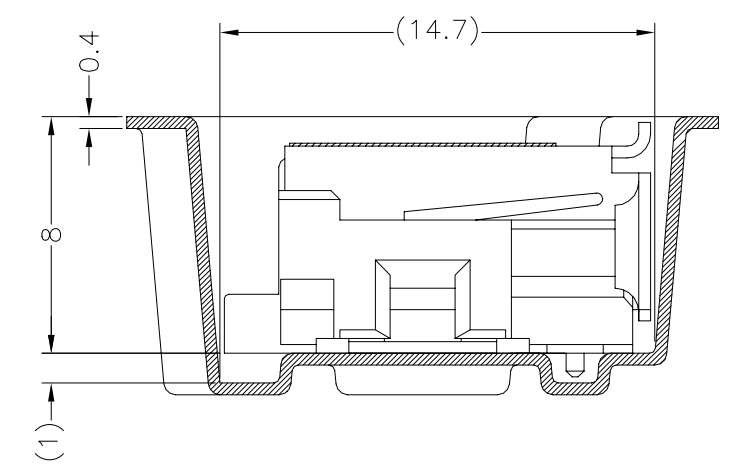
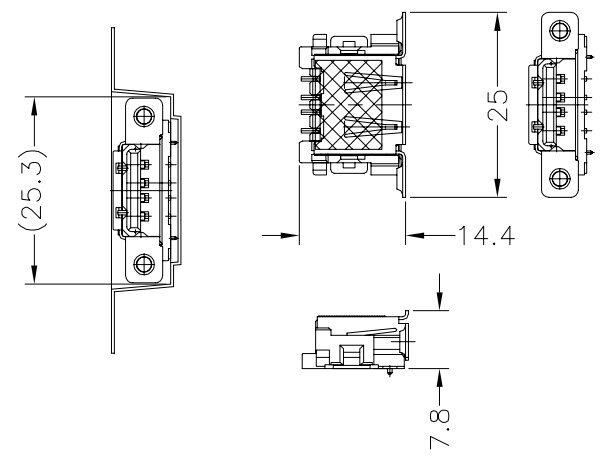
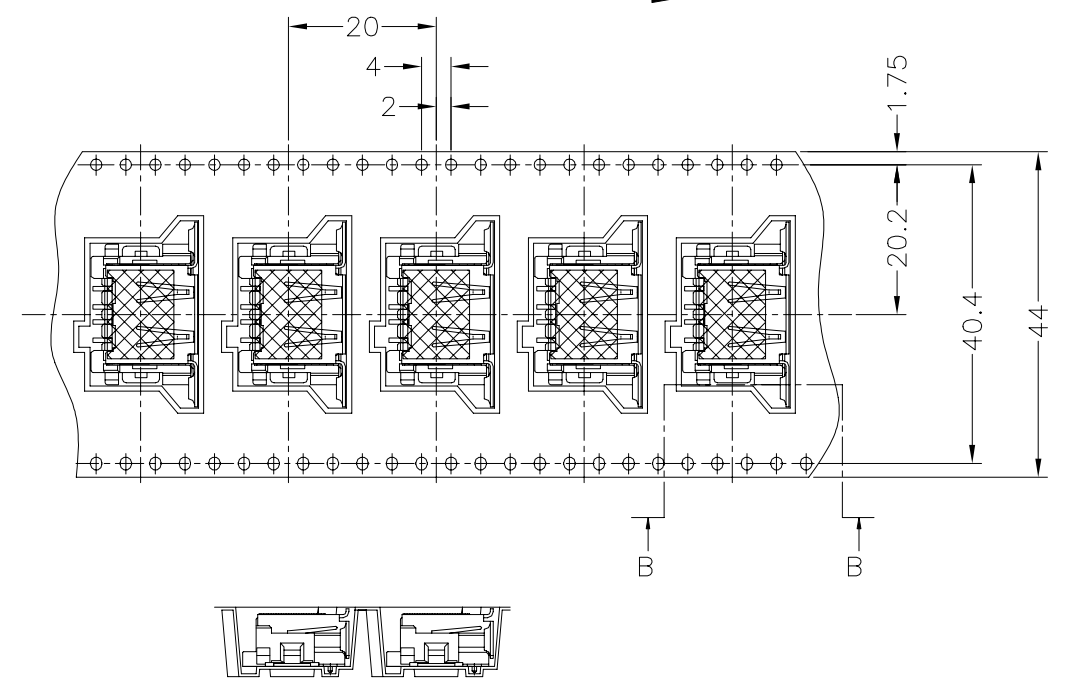
2

1

© - TE Connectivity. All Rights Reserved.

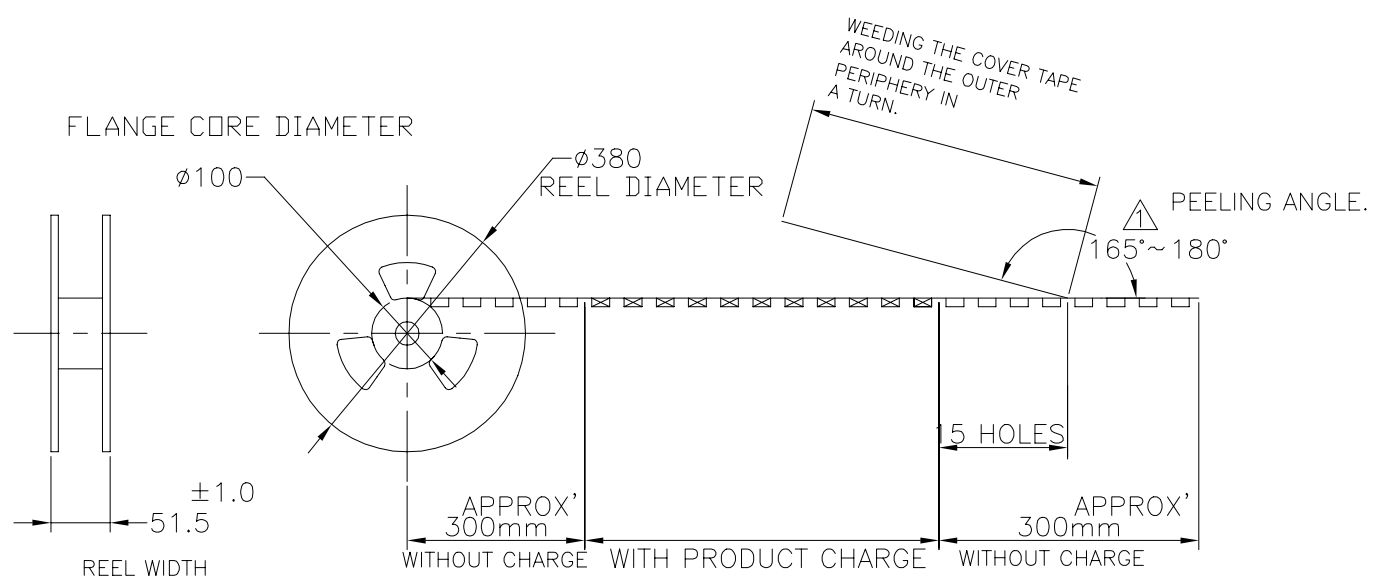
REVISIONS					
P	LTR	DESCRIPTION	DATE	DWN	APVD
-	-	SEE SHEET 1	-	-	-

DIRECTION OFF TOP OF REEL



CONNECTOR DETAIL

SECT B-B (4:1)



5353929-~~5~~,6

THIS DRAWING IS A CONTROLLED DOCUMENT.		DWN	TE Connectivity Ltd.			
DIMENSIONS: MM		CHK				
TOLERANCES UNLESS OTHERWISE SPECIFIED:		APVD				
0 PLC ± 0.3 1 PLC ± 2 PLC ± 3 PLC ± 4 PLC ± ANGLES ± 5° MATERIAL FINISH		NAME				
MATERIAL		PRODUCT SPEC	EMBOSS ASSY			
		APPLICATION SPEC	STD TYPE USB CONN. REC. WITH COVER TYPE			
		WEIGHT	SIZE	CAGE CODE	DRAWING NO	RESTRICTED TO
		CUSTOMER DRAWING	A3	00779	5353929	-
		SCALE	1:1	SHEET	3 of 3	REV P1