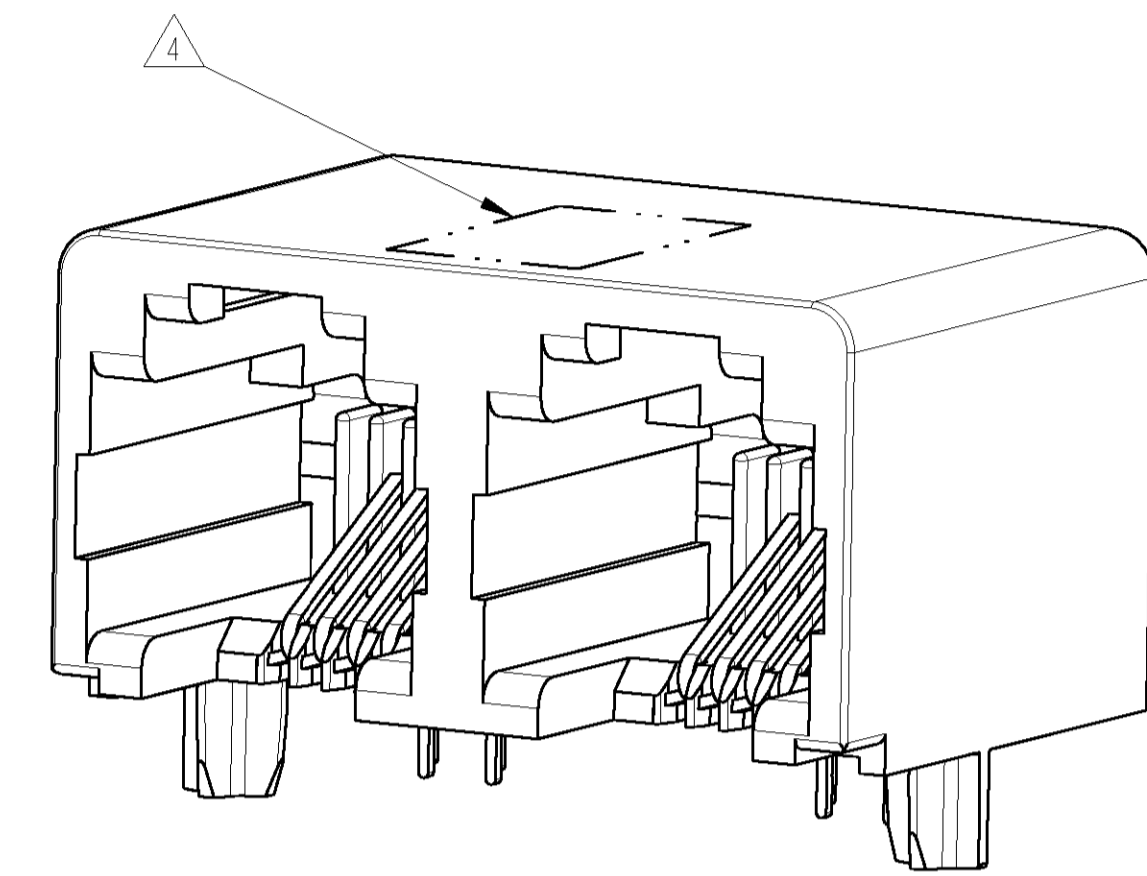
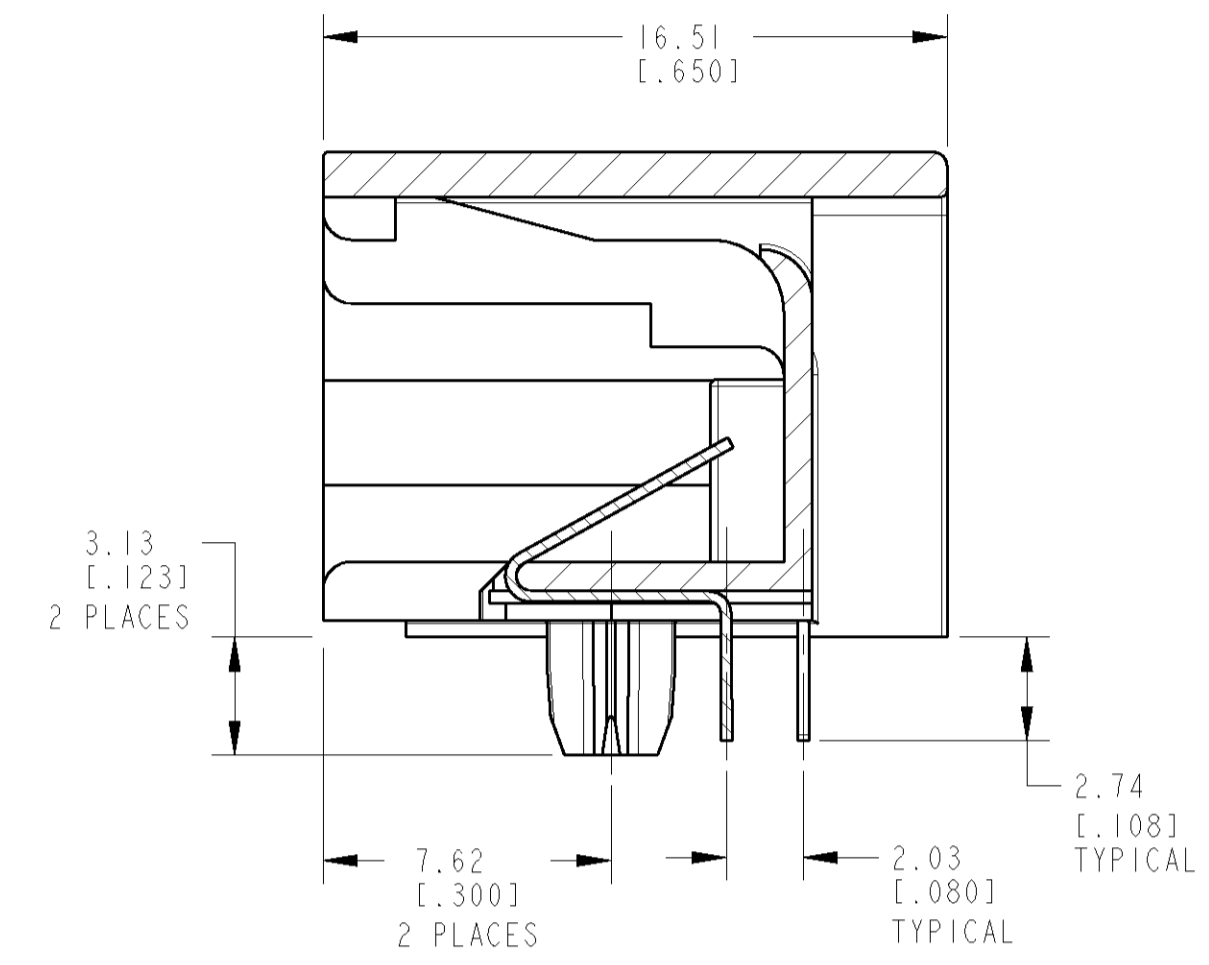
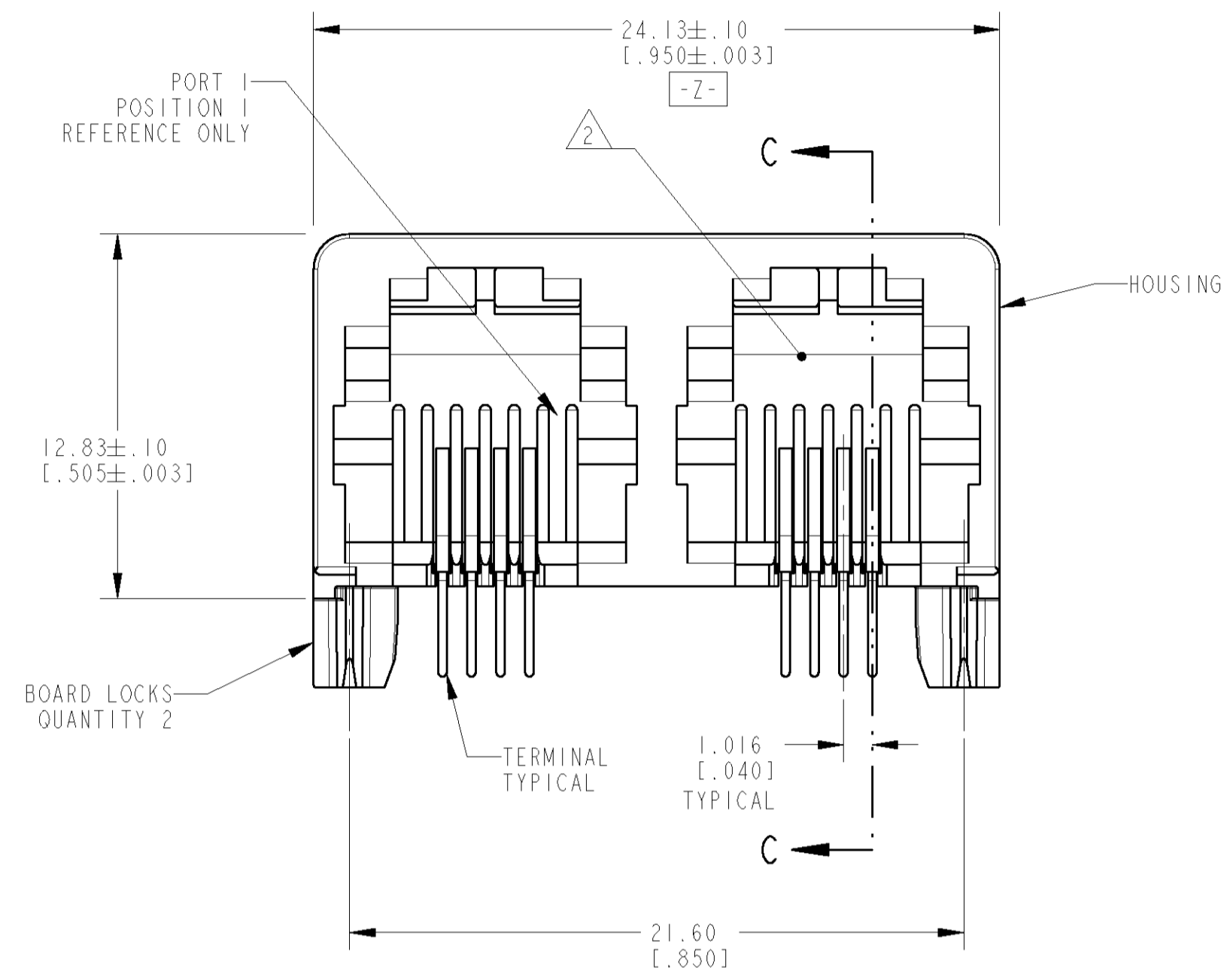
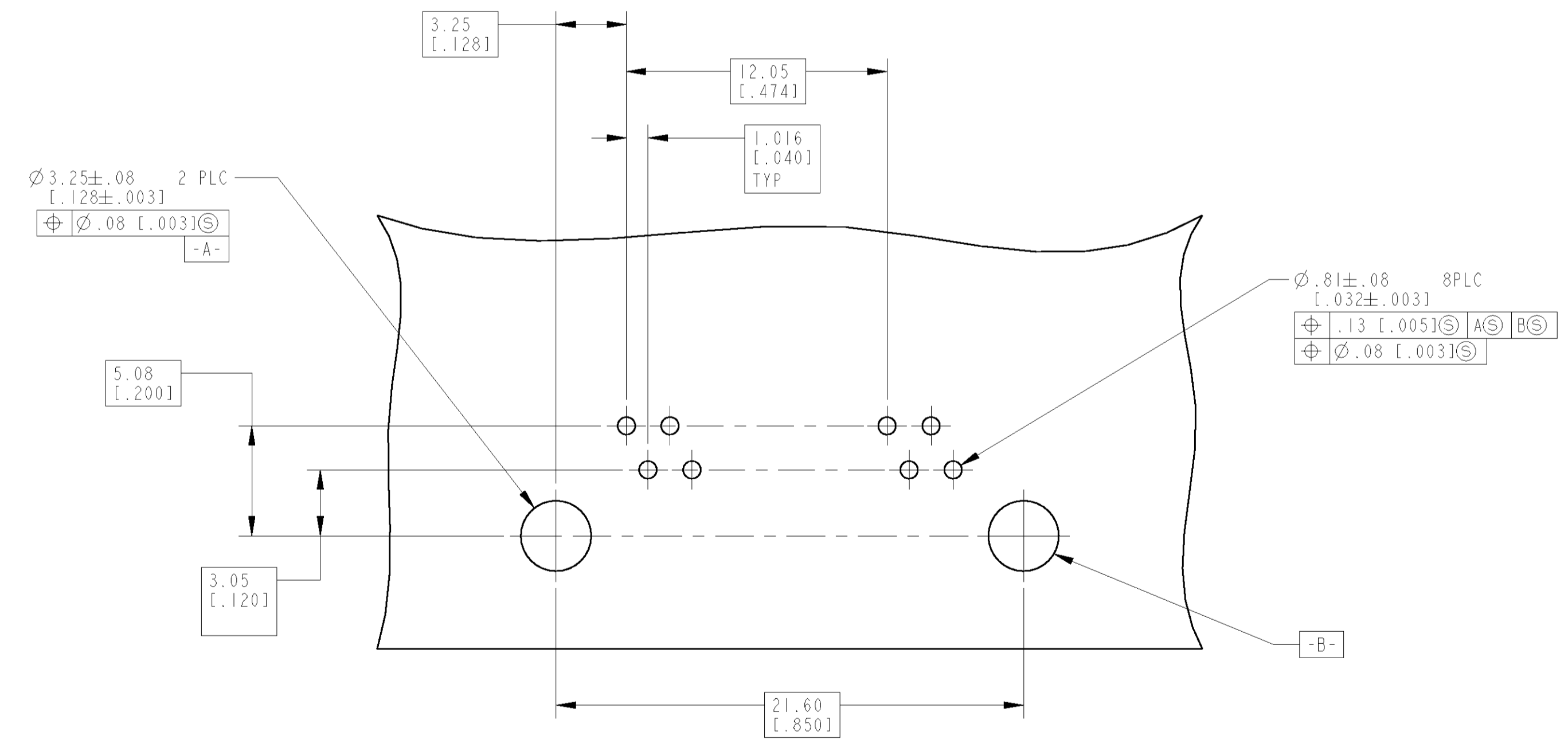


LOC	DIST	REVISIONS			
P	LTR	DESCRIPTION	DATE	BY	APPD
E		ECO-07-018647	09AUG2007	LAM	PR
E1		REVISED PER ECO-10-000445	11JAN10	KK	AE

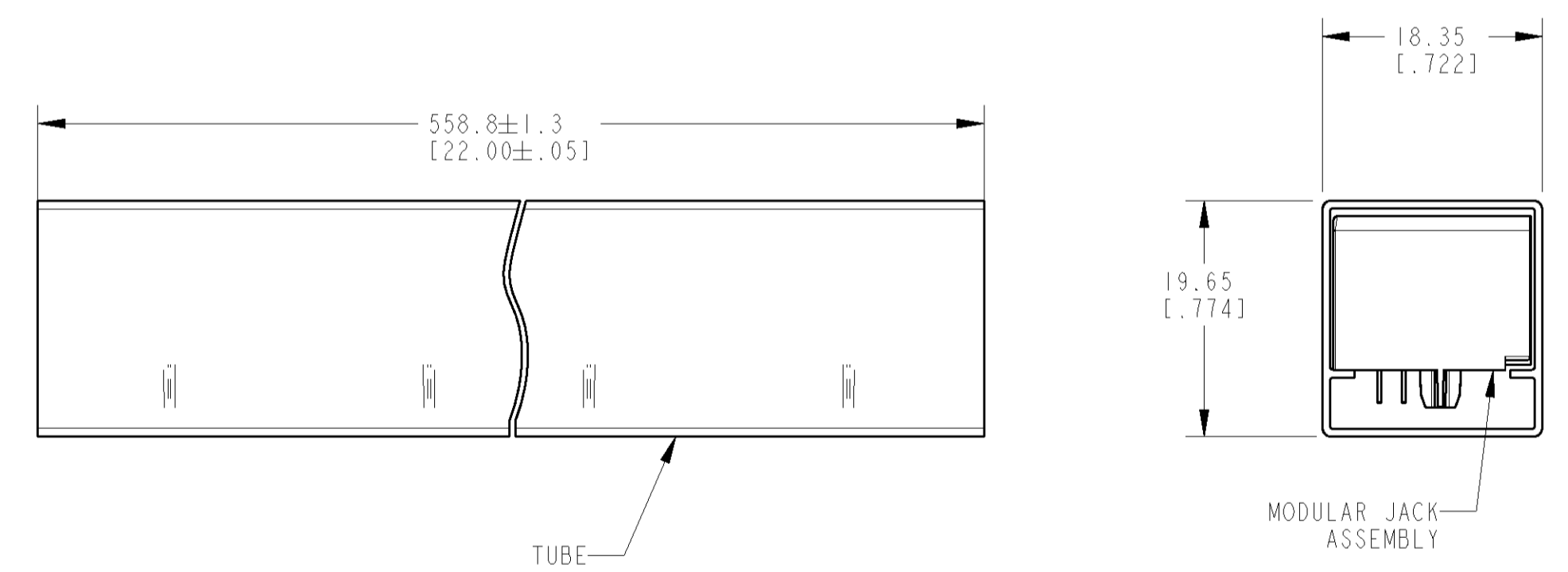


- 1 MATERIAL: HOUSING-HIGH TEMPERATURE THERMOPLASTIC, BLACK. TERMINALS-0.3(.012) THICK COPPER ALLOY PLATED WITH 1.27um(.000050) MINIMUM THICK GOLD IN LOCALIZED GOLD PLATE AREA, 2.5um(.000100) MINIMUM MATTE TIN ON TERMINATION END, BOTH OVER 1.27um(.000050) MINIMUM NICKEL OVER ENTIRE TERMINAL.
- 2 JACK CAVITY CONFORMS TO FCC RULES AND REGULATIONS, PART 68 SUBPART F.
- 3 PACKAGING-MATERIAL: ANTI-STATIC, RIGID EXTRUDED, TRANSPARENT PLASTIC TUBE 58.82±1.27 [22.0±.05] LONG, 22 PIECES PER TUBE. SEE DETAIL D
- 4 MANUFACTURING DATE CODE LOCATED APPROXIMATELY AS SHOWN. FIRST 2 DIGITS ARE YEAR, SECOND 2 DIGITS ARE WORK WEEK, LAST DIGIT IS THE DAY OF THE WEEK
- 5 MATERIAL: HOUSING - HIGH TEMPERATURE THERMOPLASTIC, COLOR: BLACK. TERMINALS 0.3 (.012) THICK COPPER ALLOY PLATED WITH 0.38 μm (.000015) GOLD IN LOCALIZED GOLD PLATE AREA, 2.5 μm (.000100) MINIMUM MATTE TIN ON TERMINATION END, BOTH OVER 1.27 μm (.000050) MINIMUM NICKEL OVER ENTIRE CONTACT
- 6 OBSOLETE PARTS: OBSOLETE CIS STREAMLINING PER D.RENAUD/D.SINISI

SECTION C-C



RECOMMENDED PRINTED CIRCUIT BOARD LAYOUT  
 COMPONENT SIDE-VIEWED FROM TOP  
 THICKNESS 1.57(.062)



DETAIL D  
 SCALE 2:1

6	OBSOLETE	5	3	5406904-2
				5406904-1
	PLATING	PACKAGING	PART NUMBER	

DIMENSIONS: mm [INCHES] 0 PLC ± 1 PLC ± 2 PLC ±0.13(.005) 3 PLC ± 4 PLC ± ANGLES ±		TOLERANCES UNLESS OTHERWISE SPECIFIED: 0 PLC ± 1 PLC ± 2 PLC ±0.13(.005) 3 PLC ± 4 PLC ± ANGLES ±		DWN D. STRAUSSER/20APR2005 ENR J. WESTMAN/20APR2005 APVD S. FLICKINGER/20APR2005 PRODUCT SPEC 108-1689 APPLICATION SPEC 114-2048 WEIGHT 2.54 grams CUSTOMER DRAWING		AMP Incorporated Harrisburg, PA 17105-3608 NAME MODULAR JACK ASSEMBLY 2 PORT, 6/4, RIGHT ANGLE THRU HOLE, RJ-11 SIZE CAGE CODE DRAWING NO. RESTRICTED TO 00779 C=5406904 SCALE 5:1 SHEET 1 OF 1 REV E1	
--	--	---	--	---	--	--	--