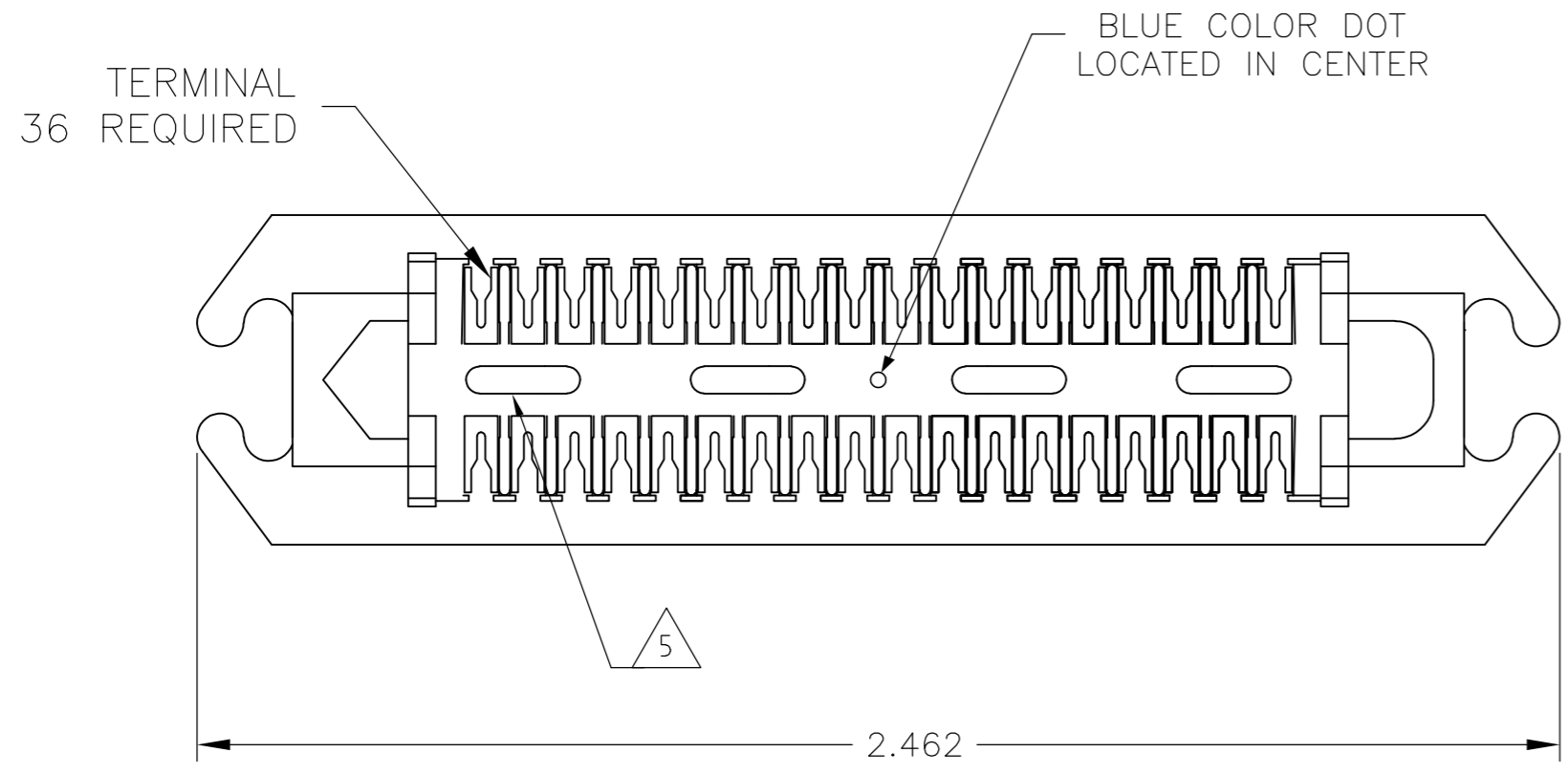


THIS DRAWING IS UNPUBLISHED. RELEASED FOR PUBLICATION  
 © COPYRIGHT BY TYCO ELECTRONICS CORPORATION. ALL INTERNATIONAL RIGHTS RESERVED.

| LOC |     | DIST        |  | REVISIONS                 |         |       |  |
|-----|-----|-------------|--|---------------------------|---------|-------|--|
| P   | LTR | DESCRIPTION |  | DATE                      | DWN     | APVD  |  |
| GP  | 00  | M           |  | REVISED PER ECO-08-007327 | 13OCT08 | BM WM |  |

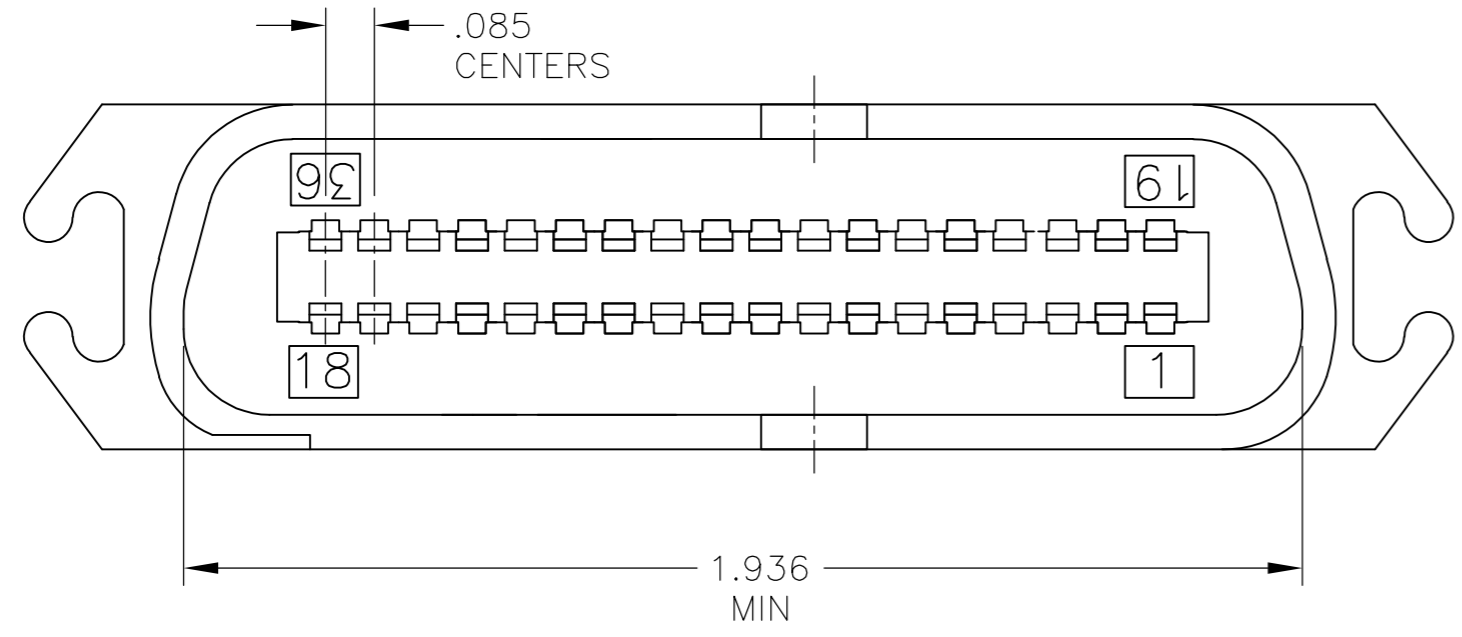
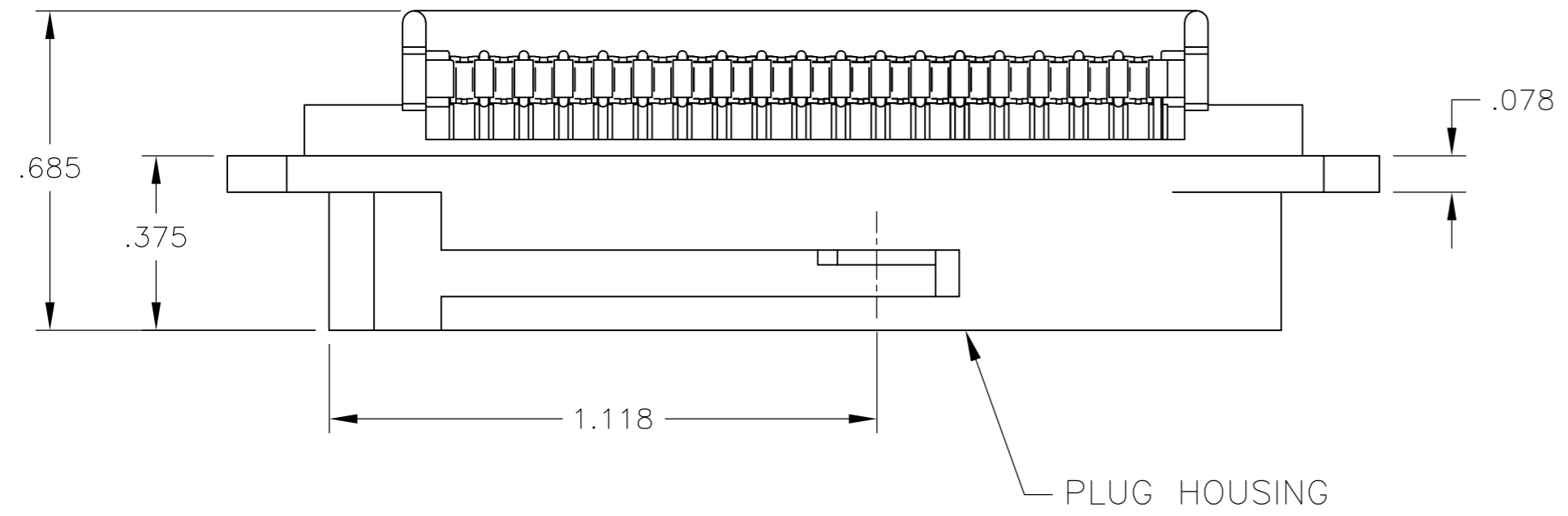


1. THE CONTACT SURFACES OF THE TERMINALS ARE COATED WITH LUBRICANT.
2. ALL DIMENSIONS SHOWN ARE FOR REFERENCE ONLY UNLESS OTHERWISE SPECIFIED.

3 MATERIAL:  
 HOUSING - THERMOPLASTIC (BLACK)  
 TERMINALS: - HIGH STRENGTH COPPER ALLOY PLATED WITH .000030 MIN GOLD OR GOLD FLASH OVER PALLADIUM NICKEL PLATE, .000030 MIN TOTAL ON MATING SURFACE. .000050 MIN NICKEL UNDERPLATE OVER ENTIRE TERMINAL.

4. WIRE SIZE: 24 & 26 AWG SOLID & 24 AWG 7 STRANDS OF COPPER CONDUCTORS. MAX INSULATION DIAMETER OF .045 IS ACCEPTABLE FOR MOST APPLICATIONS.

5 CORING MAY OR MAY NOT APPEAR AND IS AT THE DISCRETION OF TYCO ELECTRONICS.



|   |  |                           |   |                      |
|---|--|---------------------------|---|----------------------|
| THIS DRAWING IS A CONTROLLED DOCUMENT.  |  | DWN DL DRUMMOND 06-JUN-00 | Tyco Electronics Corporation<br>Harrisburg, PA 17105-3608       |                      |
| DIMENSIONS: INCHES  |  | CHK DL DRUMMOND 06-JUN-00 |   |                      |
| TOLERANCES UNLESS OTHERWISE SPECIFIED:  |  | APVD EW BEILES 06-JUN-00  | NAME ASSEMBLY, PLUG, 36 POSITION, B SLOT (CHAMP-LOK, BAIL-LOCK) |                      |
| 0 PLC ± -<br>1 PLC ± -<br>2 PLC ± -<br>3 PLC ± -<br>4 PLC ± -<br>ANGLES ± -<br>FINISH |  | PRODUCT SPEC -            | SIZE A2   | RESTRICTED TO -      |
| MATERIAL 3  |  | APPLICATION SPEC -        | CAGE CODE 00779   | DRAWING NO C=552274  |
| FINISH 3  |  | WEIGHT -                  | SCALE NTS   | SHEET 1 of 1         |
| CUSTOMER DRAWING  |  |                           | REV M   | PART NUMBER 552274-1 |

552274

A