

4

3

2

1

THIS DRAWING IS UNPUBLISHED.

RELEASED FOR PUBLICATION

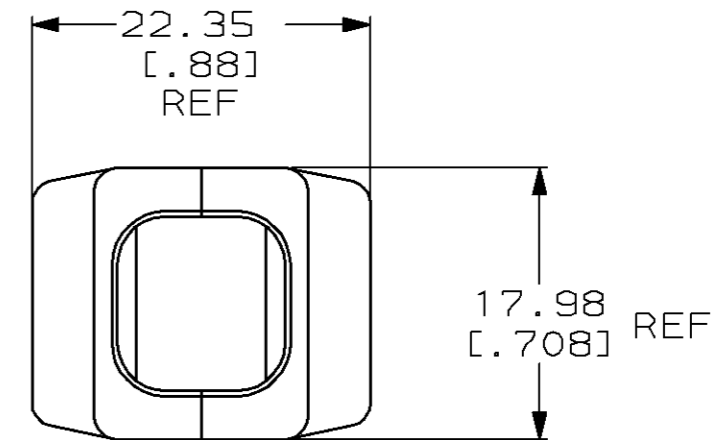
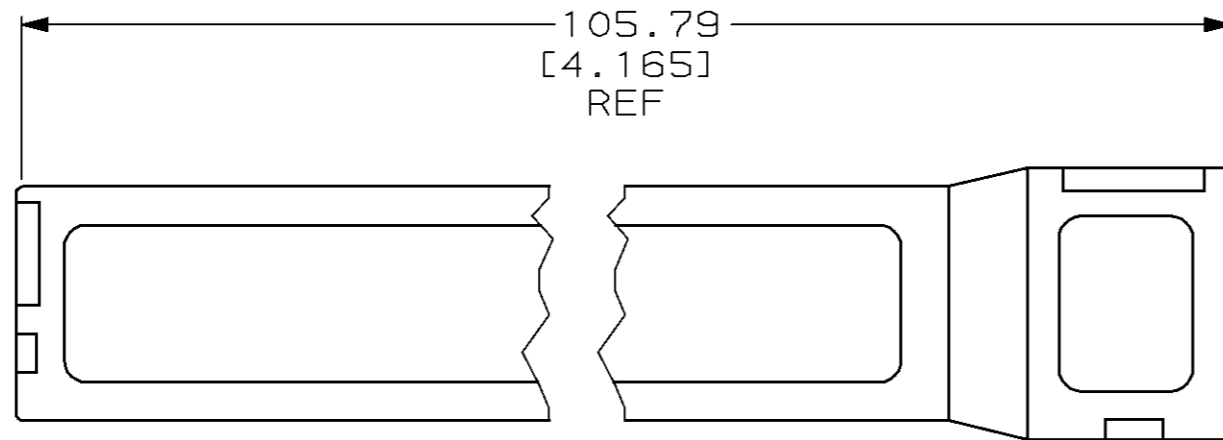
,19 .

© COPYRIGHT 19

BY AMP INCORPORATED. ALL RIGHTS RESERVED.

LOC	DIST	REVISIONS			
P	LTR	DESCRIPTION	DATE	DWN	APVD
AA	20	C	REV PER EC 0502-0069-98	02FEB98	CW MH

- ① MATERIAL: COVER-THERMOPLASTIC.
- 2. TWO IDENTICAL COVERS REQUIRED FOR ASSEMBLY.
- 3. CABLE RANGE: .380-.400 DIA.



GRAY	552773-3
BLACK	552773-1
COLOR	PART NO.

THIS DRAWING IS A CONTROLLED DOCUMENT.		DWN S. TUTTLE 24JAN78	<b>AMP</b> AMP Incorporated Harrisburg, PA 17105-3608			
DIMENSIONS: mm [INCHES]		CHK R. REICH 26JAN78				
TOLERANCES UNLESS OTHERWISE SPECIFIED:		APVD -	NAME COVER, 50 POSN, SYMM, B/B, CHAMP®			
0 PLC ±-		PRODUCT SPEC -	SIZE A3	CAGE CODE 00779	DRAWING NO C- 552773	RESTRICTED TO -
1 PLC ±-		APPLICATION SPEC -	SCALE 2:1		SHEET 1 OF 1	REV C
2 PLC ±-		WEIGHT -	CUSTOMER DRAWING			
3 PLC ±-						
4 PLC ±-						
ANGLES ±-						
MATERIAL ①						
FINISH -						