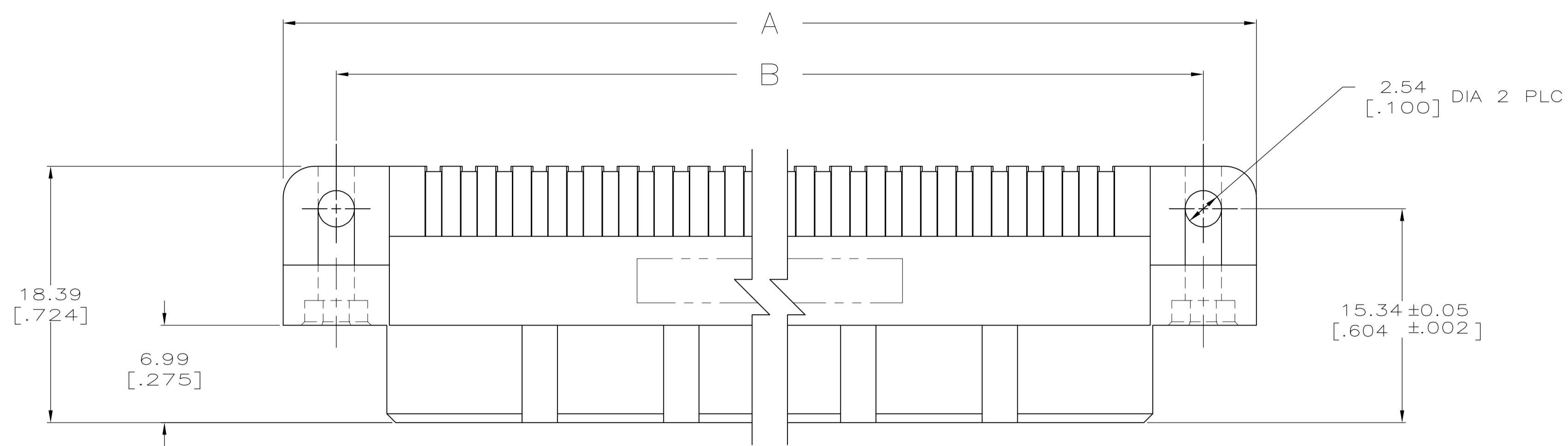
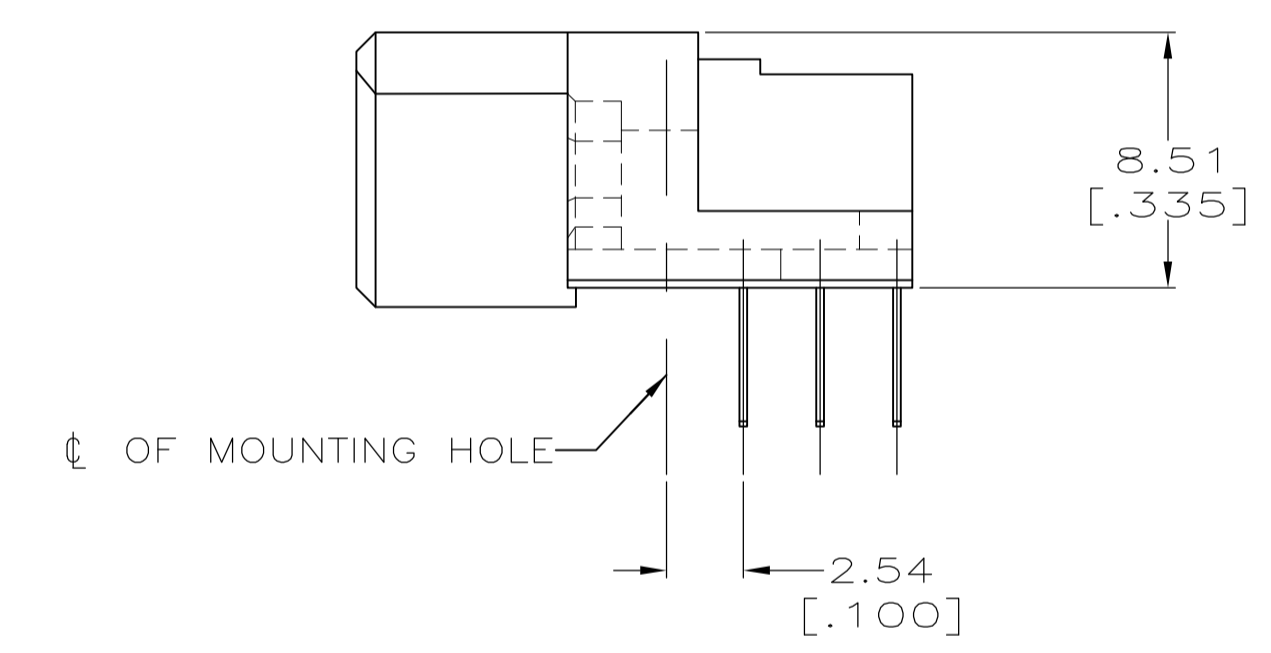
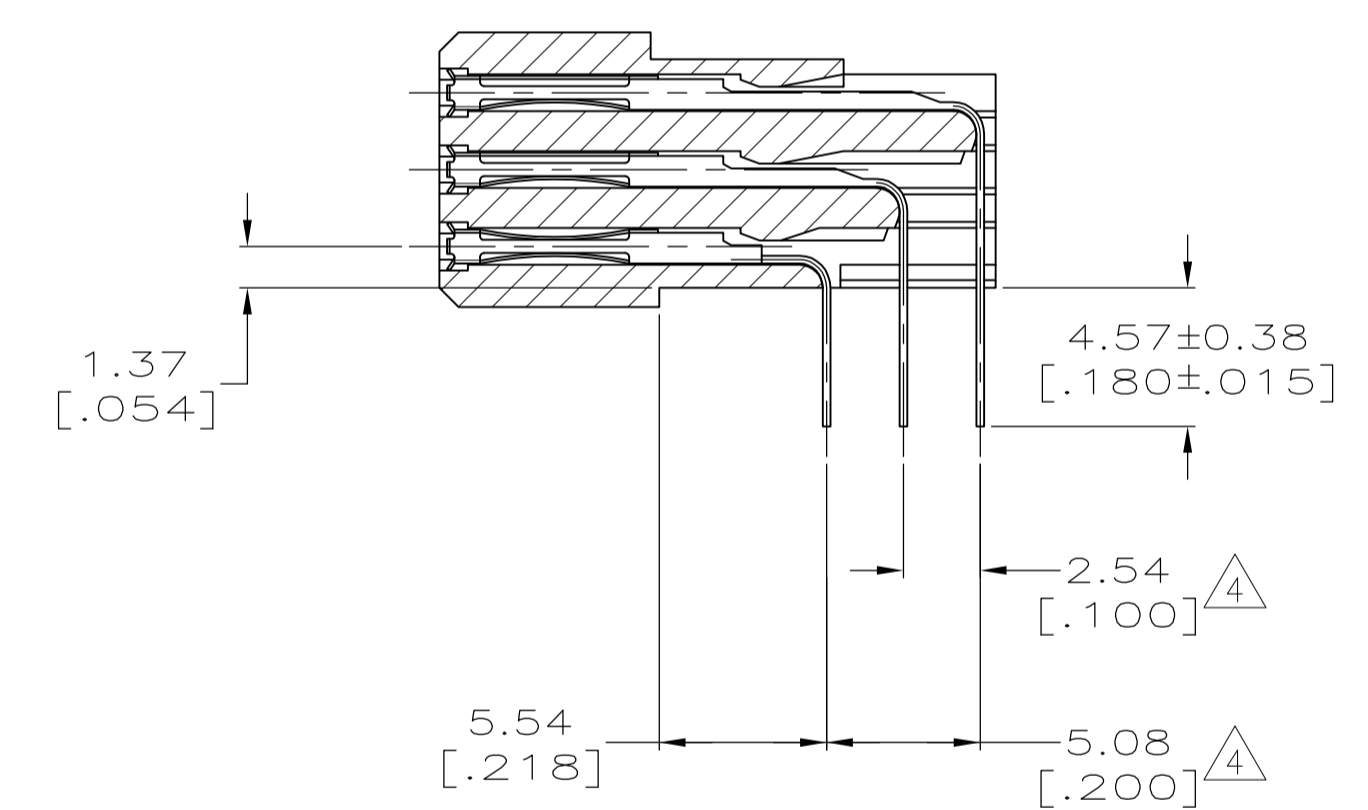
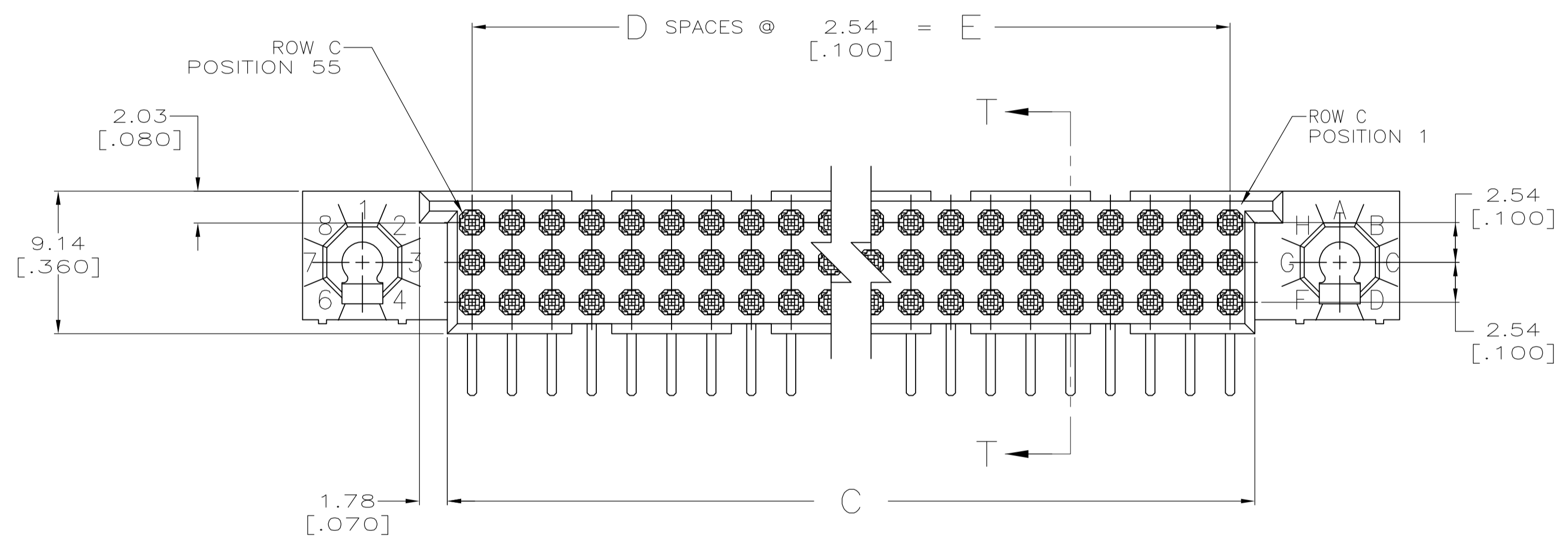


REVISIONS					
P	LTR	DESCRIPTION	DATE	DMN	APVD
A		REVISED PER ECO-15-015252	16NOV15	BJ	FY



- ① HOUSING MATERIAL: THERMOPLASTIC.
- ② CONTACT MATERIAL: COPPER ALLOY
- ③ FINISH:
MATING AREA: MEETS THE PERFORMANCE REQUIREMENTS OF PRODUCT SPECIFICATION 108-9063; BASED ON TELCORDIA DR-1217-CORE APPLICATIONS IN UNCONTROLLED ENVIRONMENTS.
TIN PLATED SOLDER POSTS.
- ④ SOLDER TAILS MUST FIT HOLE PATTERN AS SHOWN ON THE RECOMMENDED P.C. BOARD LAYOUT
- ⑤ SEE SHEET 2 FOR LOADING PATTERN AND P.C. BOARD LAYOUT



SECTION T-T

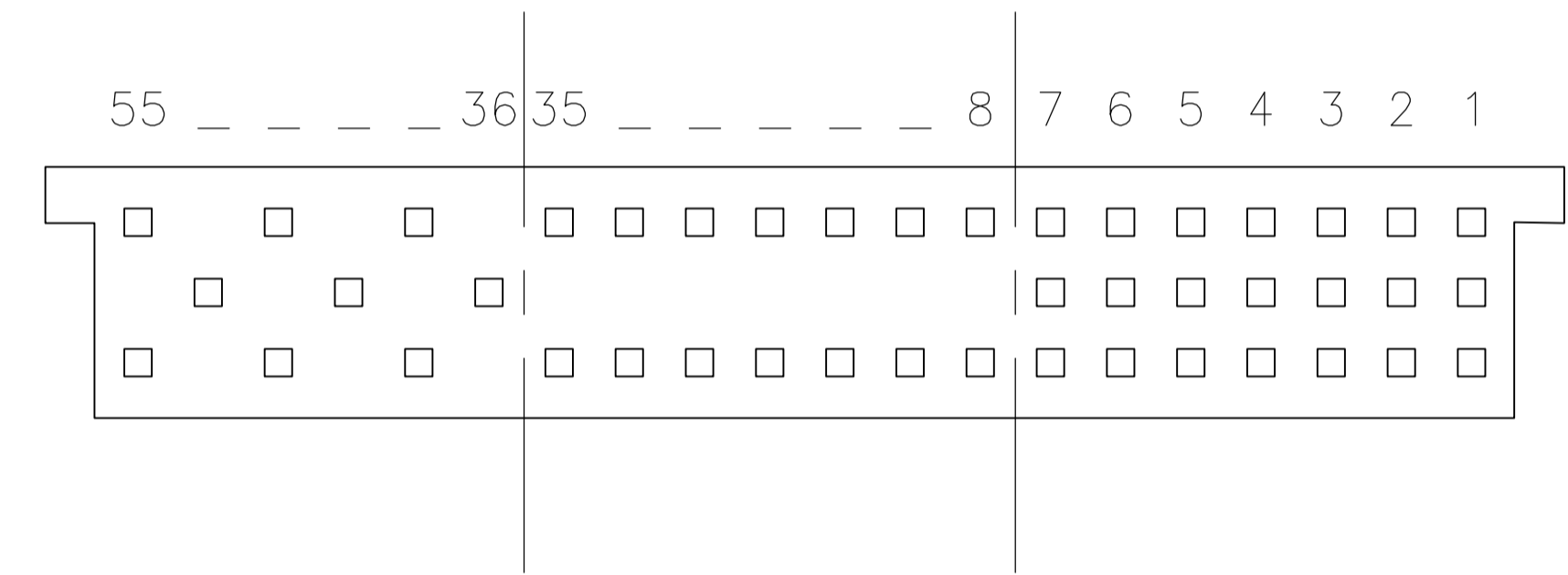
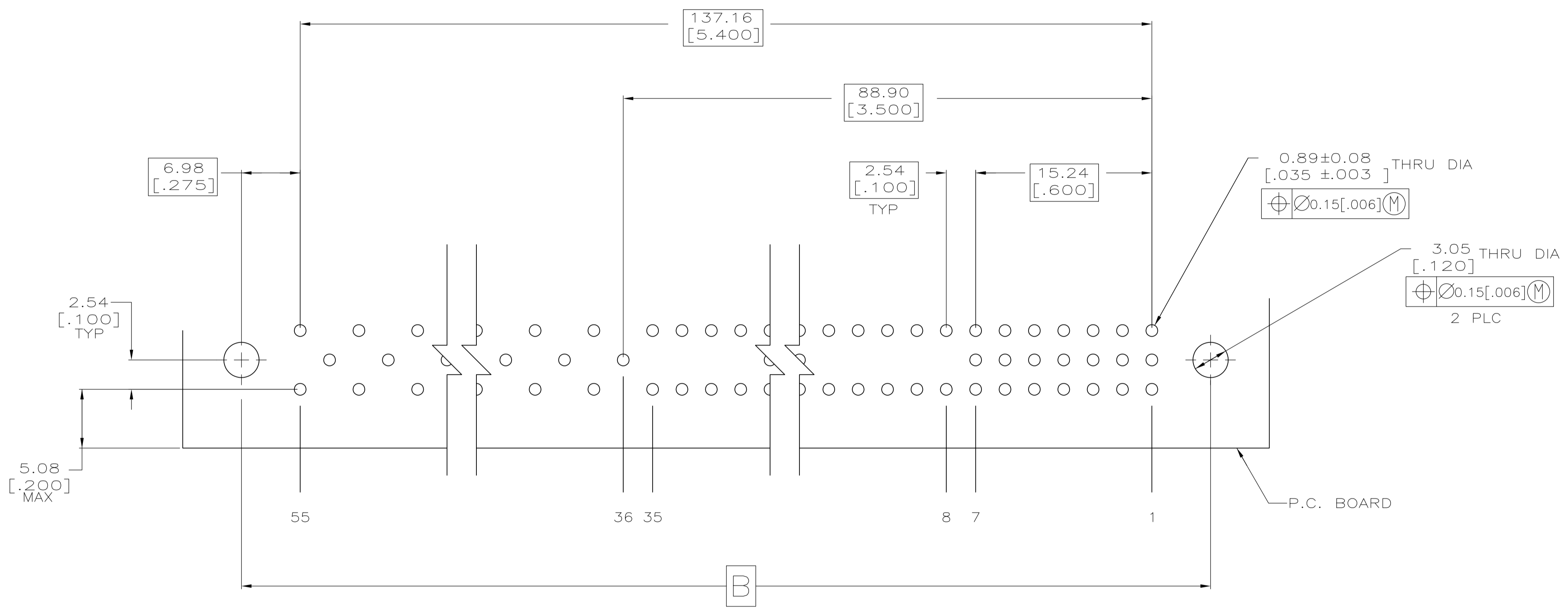
137.16 [5.400]	54	140.31 [5.524]	151.13 [5.950]	158.75 [6.250]	107 ⑤	5532834-1
E	D	C	B	A	POSITION	PART NUMBER

THIS DRAWING IS A CONTROLLED DOCUMENT.

DIMENSIONS: mm [INCHES]	TOLERANCES UNLESS OTHERWISE SPECIFIED:	DIN J. POLIGNONE 10JUN05	APVD A. SHARPE 10JUN05	NAME
0 PLC ± -	1 PLC ± -	2 PLC ± 0.13[.005]	3 PLC ± -	4 PLC ± -
ANGLES ± -	FINISH ③	SIZE	CAGE CODE	DRAWING NO
MATERIAL ①②	WEIGHT	A1	00779	5532834
CUSTOMER DRAWING		SCALE	4:1	SHEET 1 OF 2

STE TE Connectivity
ASSEMBLY, RECEPTACLE, RIGHT ANGLE, HDI, LEAD-FREE, 3 ROW, WITHOUT GUIDES, 4.57[.180] SOLDER POSTS, 107/165 POSITION

REVISIONS				
P	LTR	DESCRIPTION	DATE	APPV
-	-	SEE SHEET 1	-	-



CONTACT LOADING PATTERN
107 CONTACTS
P/N 5532834-1

RECOMMENDED P.C. BOARD LAYOUT
CONNECTOR SIDE DOWN
P/N 5532834-1

THIS DRAWING IS A CONTROLLED DOCUMENT.		DIN J. POLIGNONE 10JUN05	TE Connectivity
DIMENSIONS: mm [INCHES]		CIK A. SHARPE 10JUN05	
TOLERANCES UNLESS OTHERWISE SPECIFIED:		APVD A. SHARPE 10JUN05	NAME
0 PLC ± -	1 PLC ± -	PRODUCT SPEC	ASSEMBLY, RECEPTACLE, RIGHT ANGLE, HDI, LEAD-FREE, 3 ROW, WITHOUT GUIDES, 4.57[.180] SOLDER POSTS, 107/165 POSITION
2 PLC ± 0.13[.005]	3 PLC ± -	APPLICATION SPEC	SIZE CAGE CODE DRAWING NO
4 PLC ± -	ANGLES ± -	WEIGHT	A1 00779 C=5532834
MATERIAL	FINISH	CUSTOMER DRAWING	SCALE 4:1 SHEET 2 OF 2 REV A