

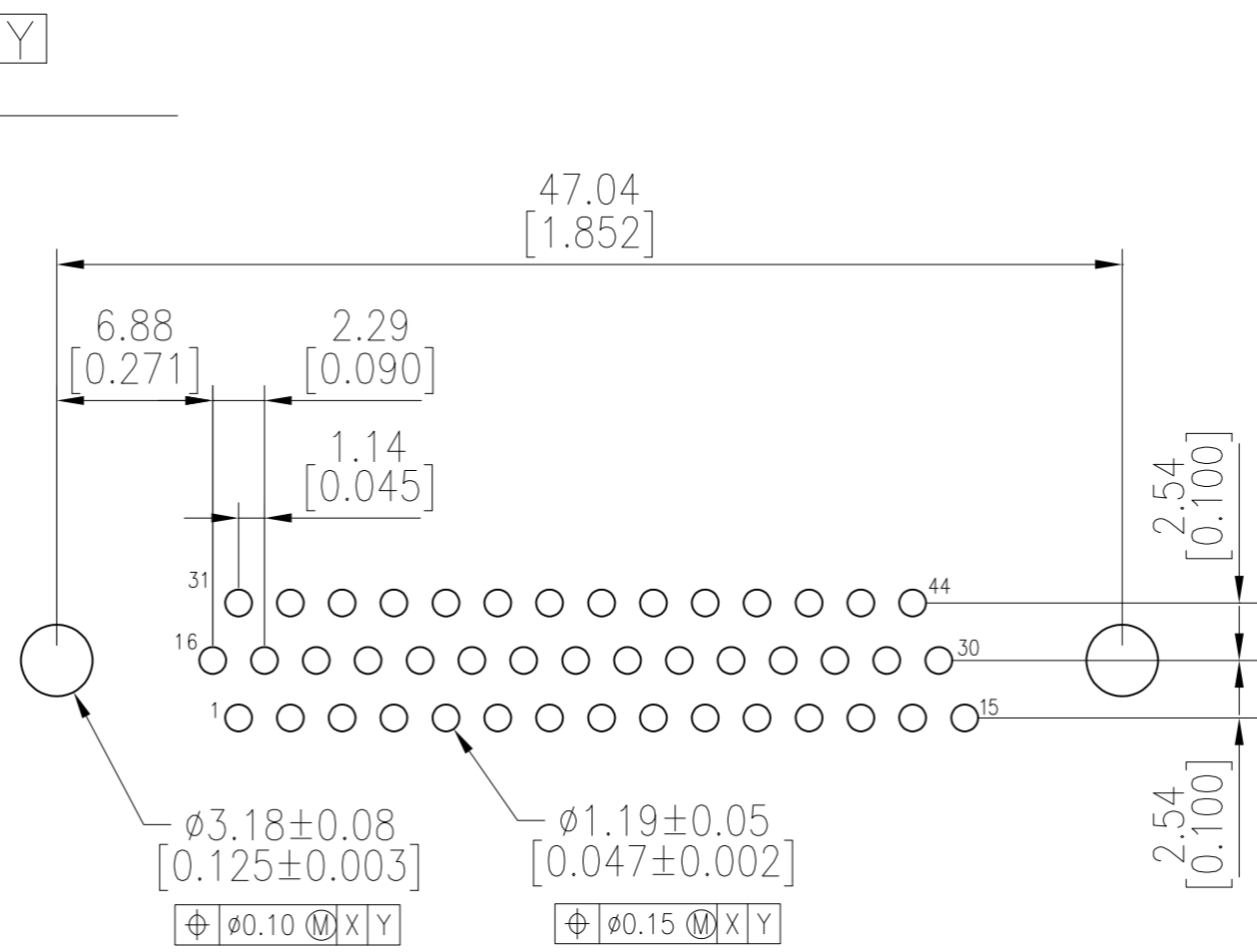
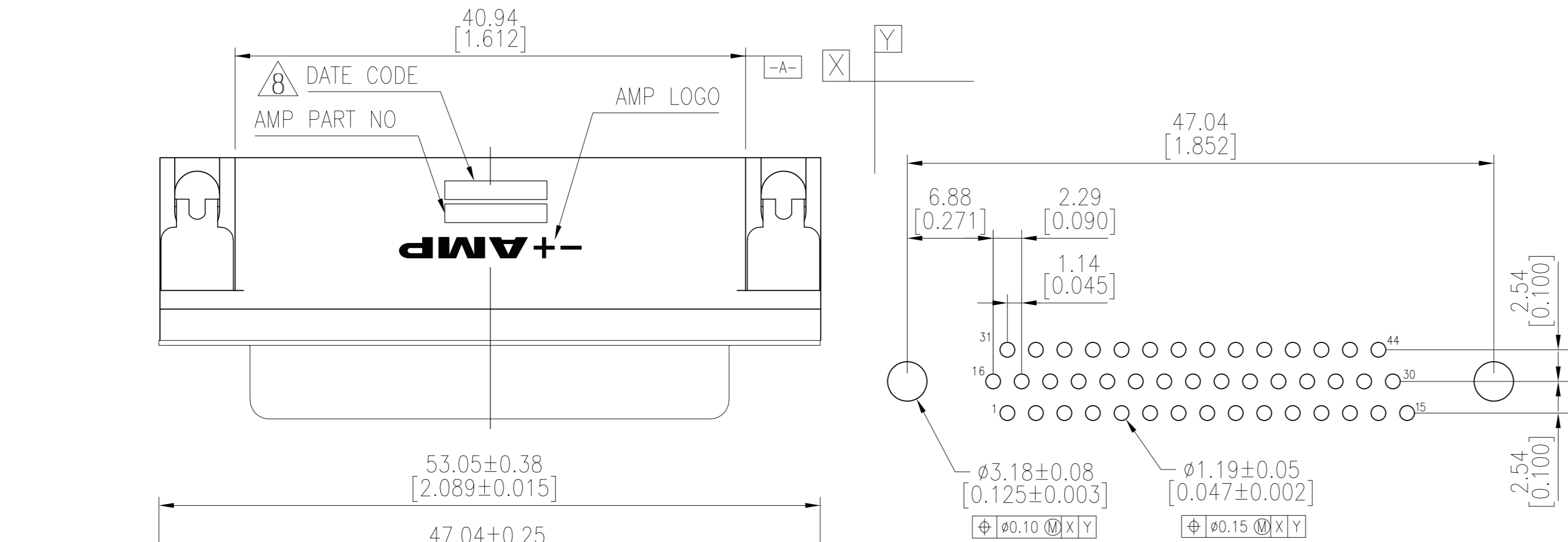
THIS DRAWING IS UNPUBLISHED. RELEASED FOR PUBLICATION
 © COPYRIGHT - By - ALL RIGHTS RESERVED.

LOC		DIST		REVISIONS			
P	LTR	DESCRIPTION		DATE	DWN	APVD	
GP	00	B		REVISED PER ECO-17-013750	16FEB2018	AP	DG

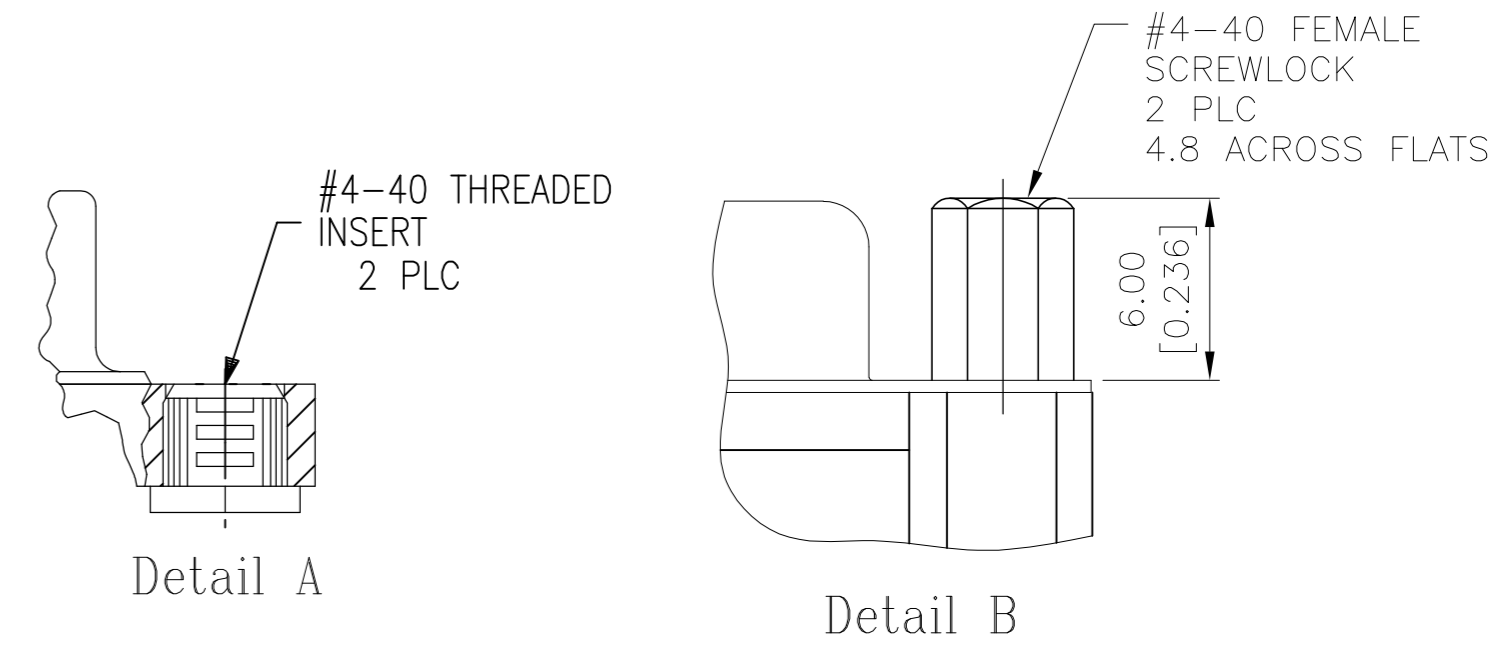
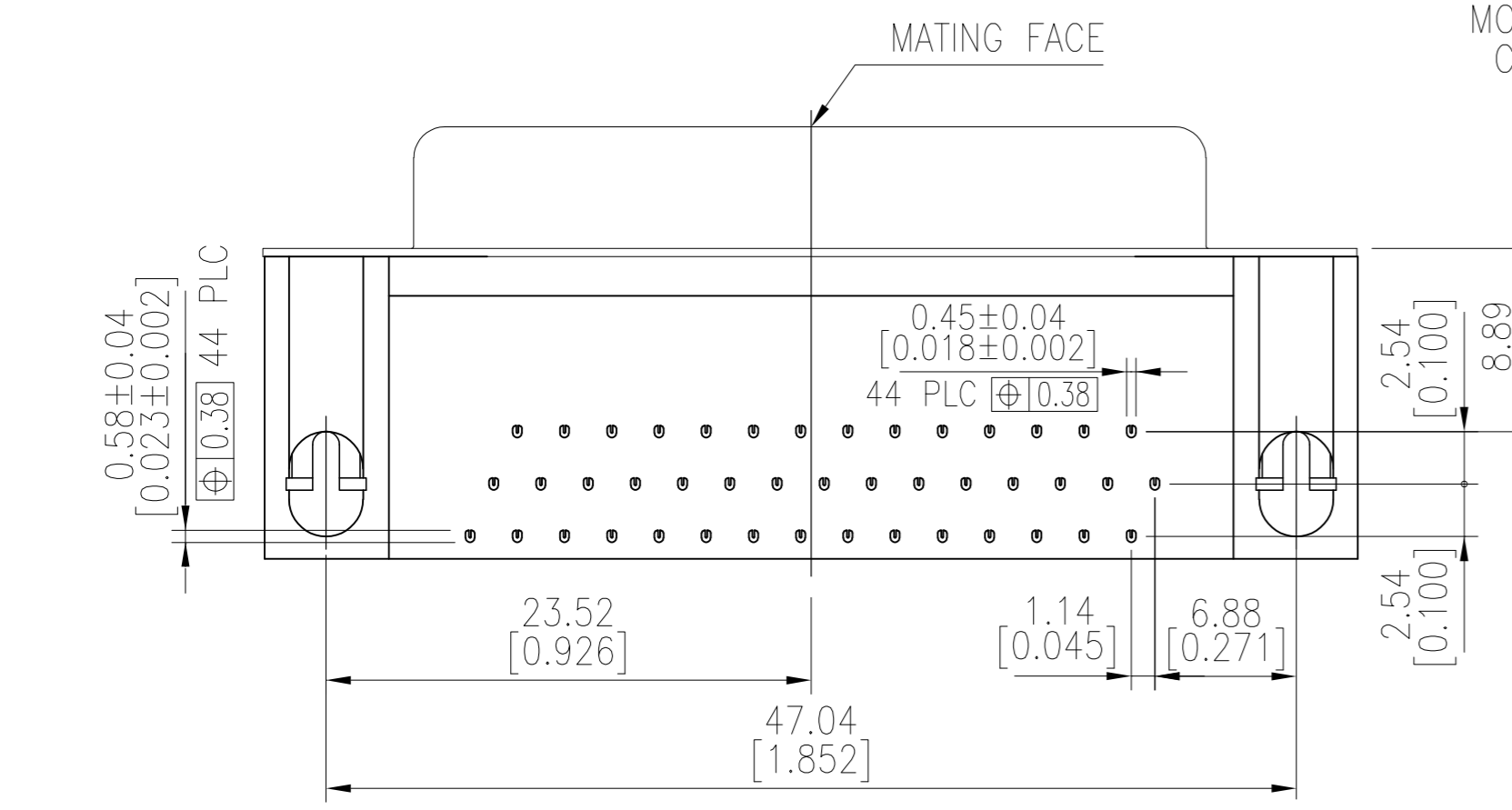
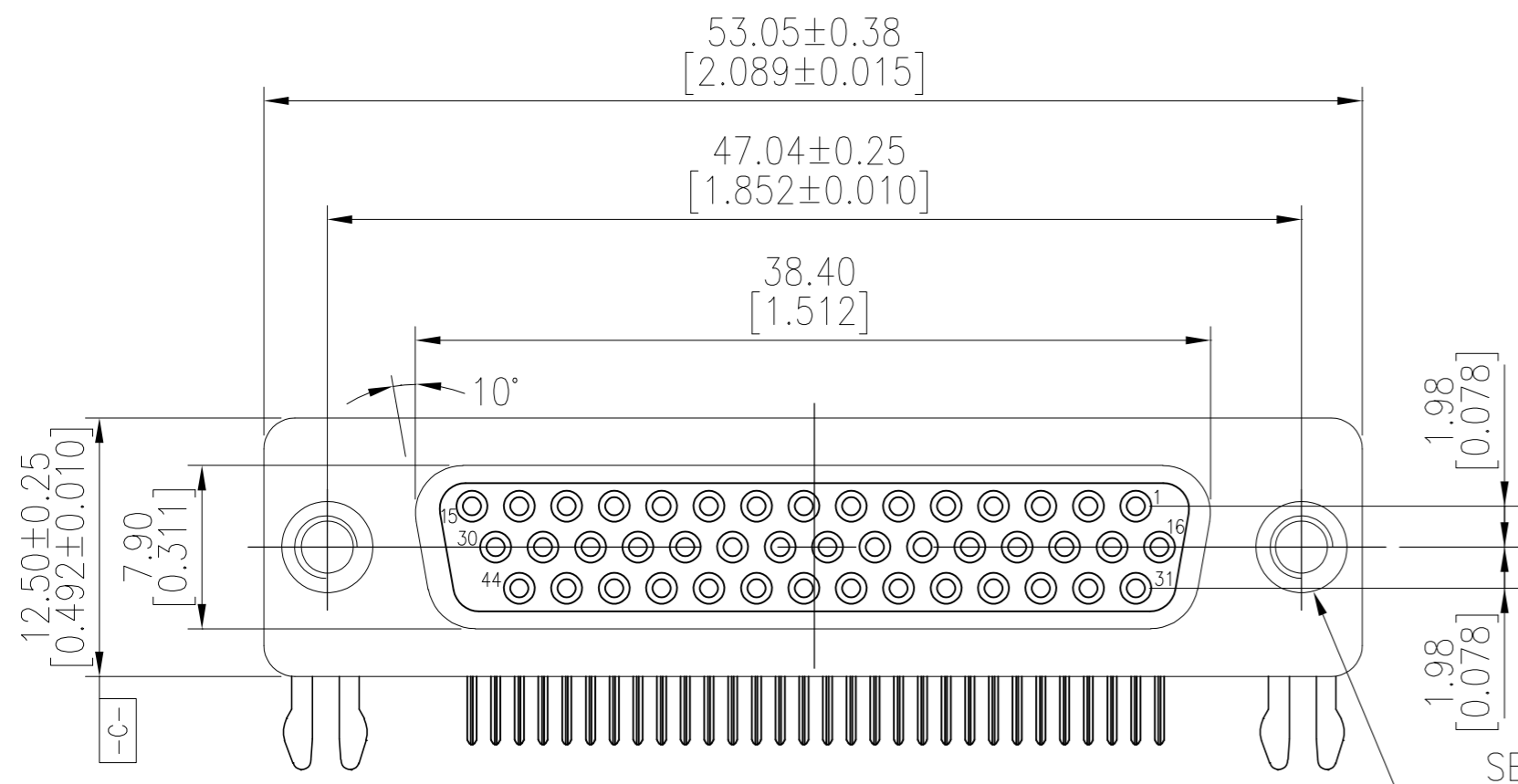
MATERIAL:

- Housing: PBT , 30 % G.F polyester, Black. (UL 94V-0 Rated)
- Contact: Phos. Bronze.
- Contact Plated: Gold Plated over 50u" Nickel underplated.
- Solder Tail: Sn Plated 120u" over 50u" Nickel underplated.
- Shell: Steel, Nickel Plated.
- Boardlocks: Brass, Tin Plated 100u".
- Screwlocks: Brass, Nickel Plated 30u".

△ Four digit date code in this format.
 Year 01 45 Manufacturing Week



RECOMMENDED PCB LAYOUT



SUPERSEDED BY	Tray	Detail B	15 μ"	2-5748482-5
2311770-2	Tray	Detail A	Gold flash	2-5748482-4
	Tray	Detail A	15 μ"	2-5748482-3
2311770-1	Tray	Detail A	30 μ"	5748482-5
	Packaging	Mounting Flange	Contact Finish	Part No

THIS DRAWING IS A CONTROLLED DOCUMENT.		DWN	J.GERACE	25FEB05	 TE Connectivity	NAME		AMPLIMITE HD-22, 44 POSITION RECEPTACLE, RIGHT ANGLE		
DIMENSIONS: mm [INCHES]		CHK	S.BOLASH	25FEB05		SIZE	CAGE CODE	DRAWING NO	RESTRICTED TO	
TOLERANCES UNLESS OTHERWISE SPECIFIED: 0 PLC ± - 1 PLC ± 0.30 2 PLC ± 0.20 3 PLC ± 0.10 4 PLC ± - ANGLES ± 2°		APVD	M.WALMSLEY	25FEB05		A2	00779	C=5748482	-	
MATERIAL		FINISH	-			WEIGHT	-		SCALE	1:1
CUSTOMER DRAWING					SHEET	1 OF 1		REV	B	