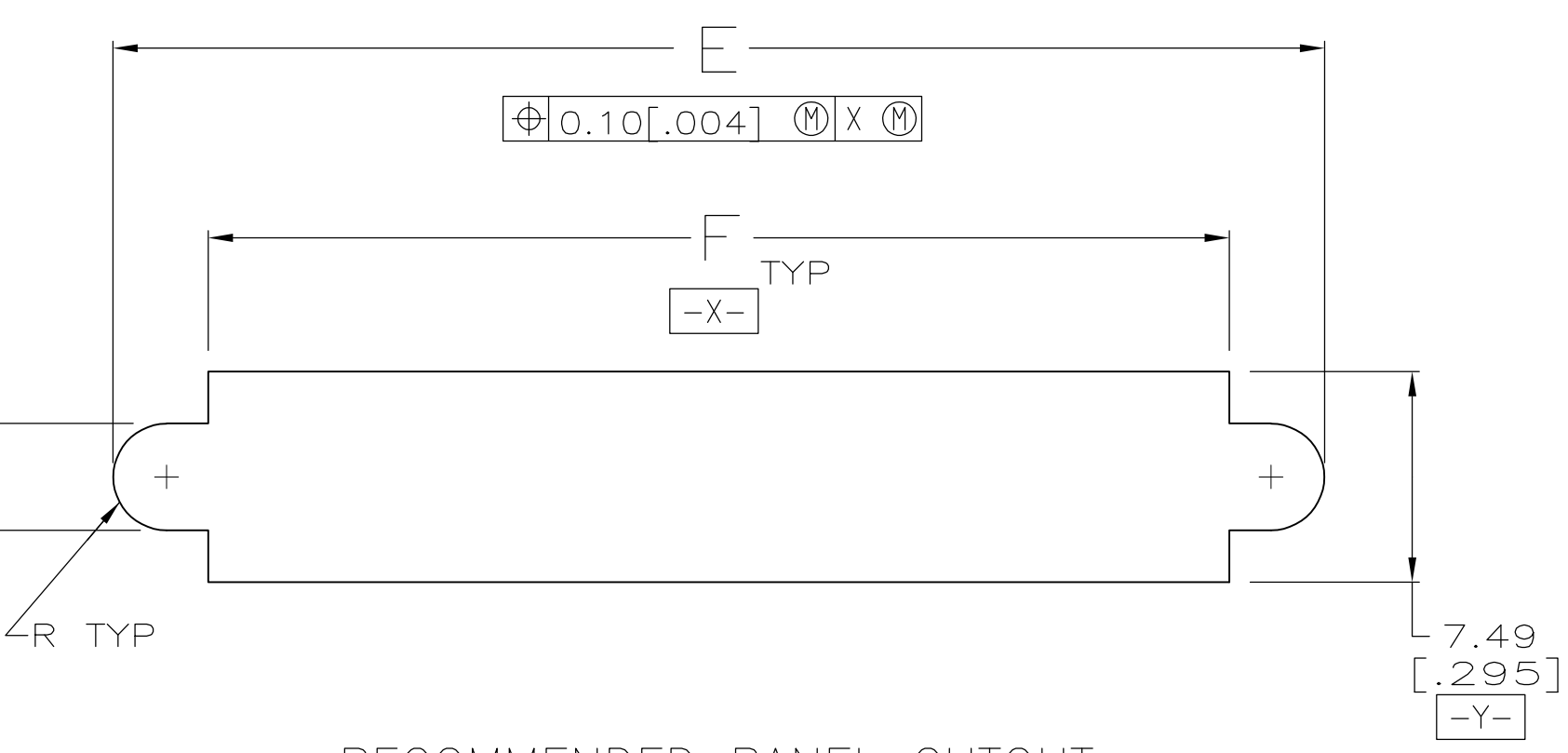
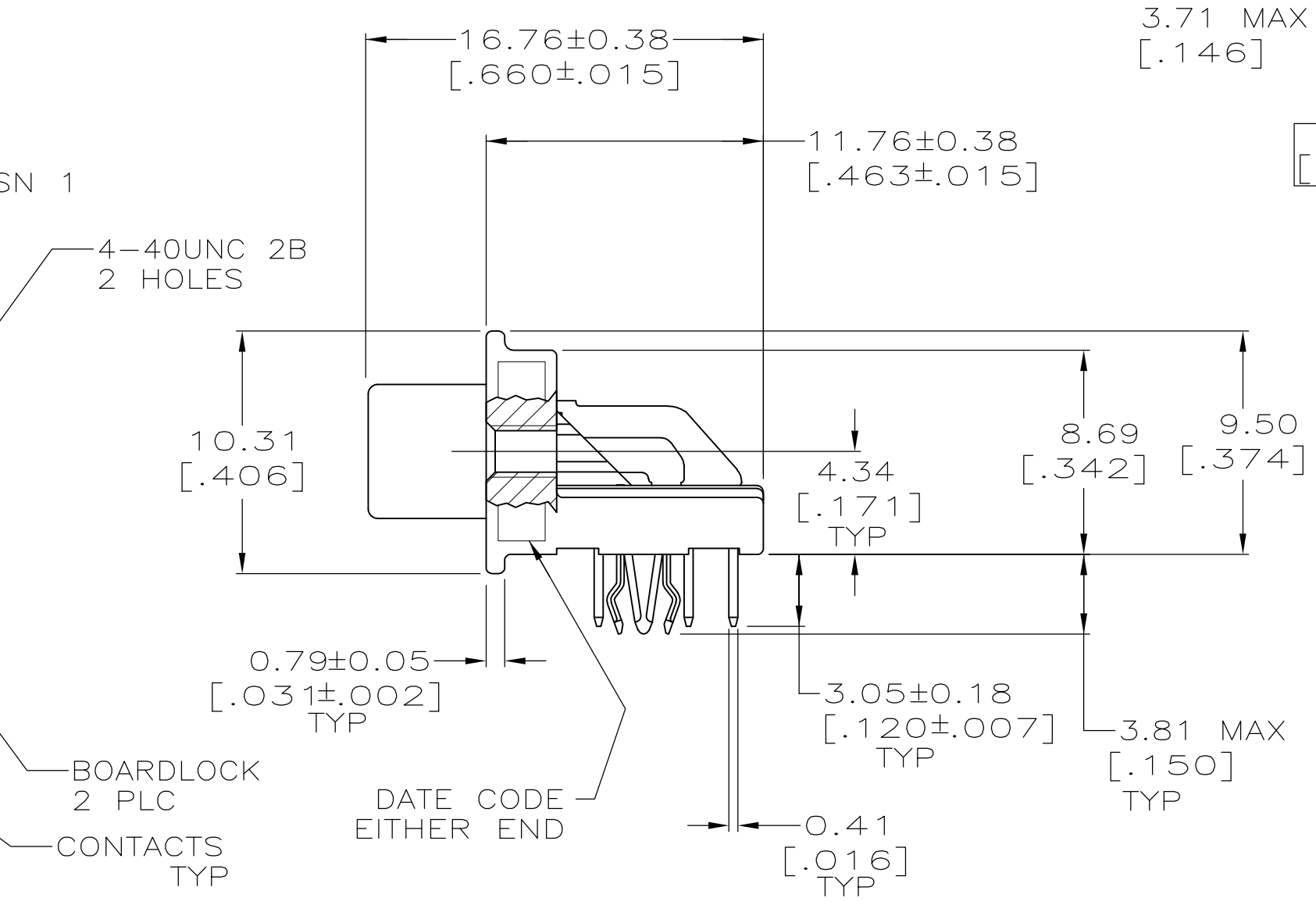
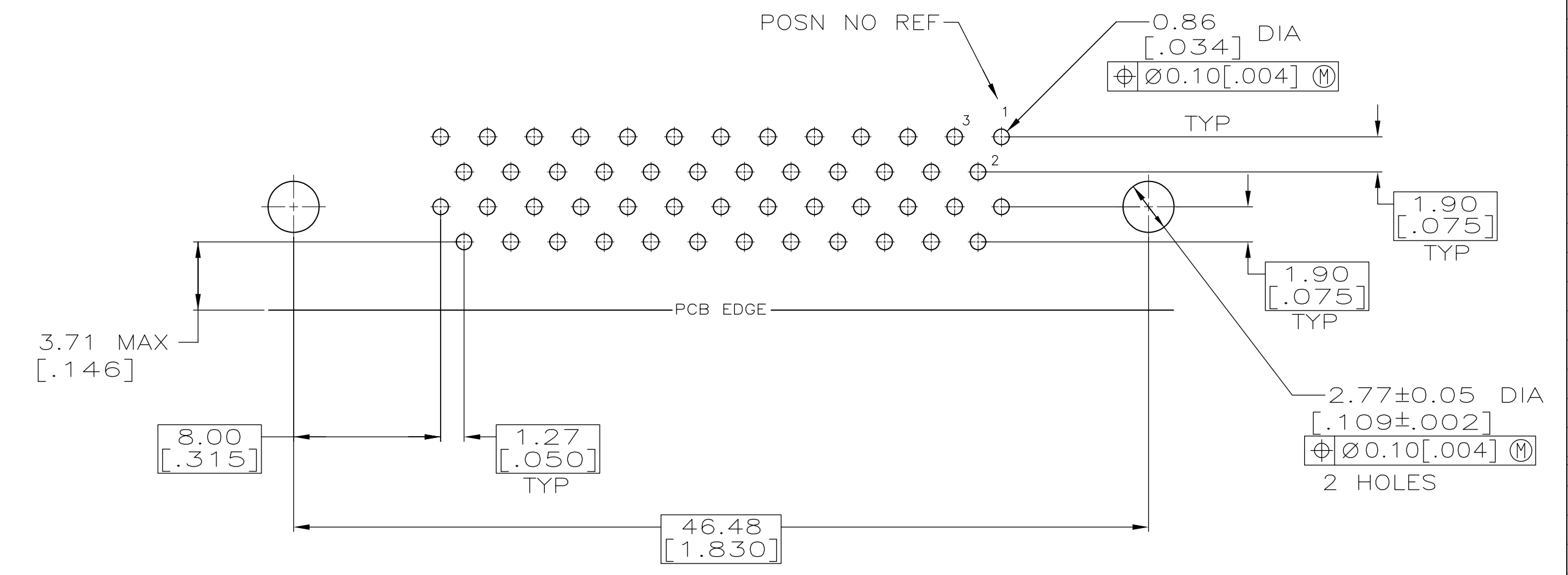


CONTACTS: PHOSPHOR BRONZE
HOUSING & PIN SPACER: UL 94V-0 RATED, THERMOPLASTIC, BLACK
BRACKET: ZINC
SHELL: CARBON STEEL
BOARDLOCKS: COPPER ALLOY

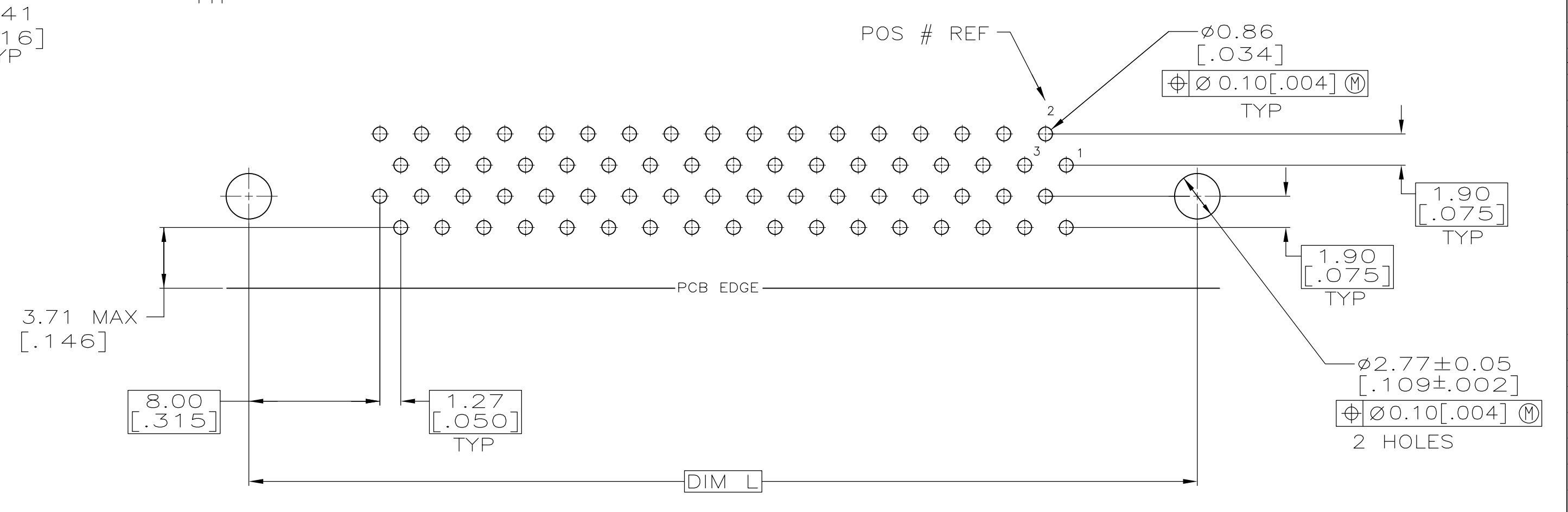
CONTACTS: EITHER 0.76µm [.000030] MIN GOLD PLATE ON MATING END OR GOLD FLASH OVER PALLADIUM NICKEL PLATE, 0.76µm [.000030] MIN TOTAL ON MATING END. 3.81µm [.000150] MIN TIN ON OPPOSITE END FOR A LENGTH OF 2.72 [.107] MIN, BOTH OVER 1.27µm [.000050] MIN NICKEL.
SHELL: 5.08µm [.000200] MIN NICKEL OVER 1.27µm [.000050] MIN COPPER.
BRACKET: 2.54µm [.000100] MIN NICKEL OVER 5.08µm [.000200] COPPER.
BOARDLOCKS: 5.08µm [.000200] MIN TIN OVER 1.27µm [.000050] MIN NICKEL.



RECOMMENDED PANEL CUTOUT



P.C. BOARD MOUNTING DIMENSIONS
CONNECTOR SIDE
P.C. BOARD THICKNESS 2.36±0.20 [.093±.008]
PC BOARD PATTERN S



P.C. BOARD MOUNTING DIMENSIONS
CONNECTOR SIDE
P.C. BOARD THICKNESS 2.36±0.20 [.093±.008]
PC BOARD PATTERN T

T	78.23 [3.080]	0.64 [.025]	69.44 [2.734]	82.04 [3.230]	84.20 [3.315]	66.45 [2.616]	78.23 [3.080]	100	5787362-9
T	57.91 [2.280]	0.64 [.025]	49.12 [1.934]	61.72 [2.430]	63.88 [2.515]	46.13 [1.816]	57.91 [2.280]	68	5787362-7
S	-	-	1.27 [.050]	37.69 [1.484]	50.29 [1.980]	52.45 [2.065]	34.70 [1.366]	50	5787362-5
PC BOARD PATTERN	L	G	F	E	D	B	A	NO OF POS	PART NUMBER

THIS DRAWING IS A CONTROLLED DOCUMENT.

DWN: J. GERACE 25JAN05
CHK: S. SHUEY 25JAN05
APPD: M. WALMSLEY 25JAN05

Tyco Electronics Corporation
Harrisburg, PA 17105-3608

RECEPTACLE ASSEMBLY,
RIGHT ANGLE, SHIELDED,
1.27[.050] SERIES, AMPLIMITE

PRODUCT SPEC: 108-1228
APPLICATION SPEC: 114-40029

SIZE: A1
CAGE CODE: 00779
DRAWING NO: 5787362

CUSTOMER DRAWING
SCALE: 4:1
SHEET: 1 OF 1
REV: B