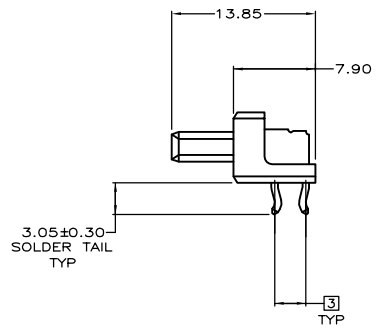
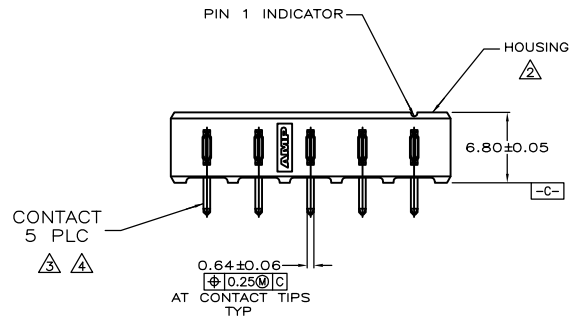
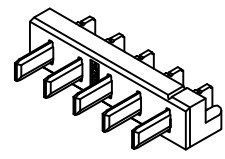
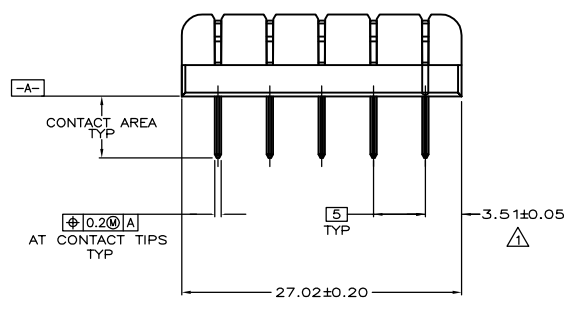
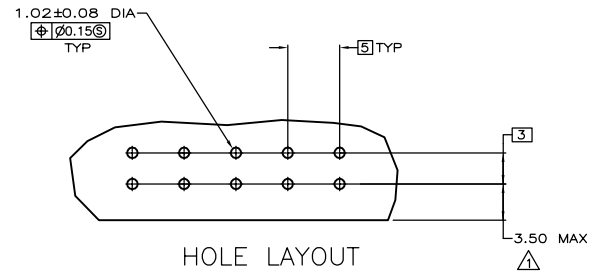


THIS DRAWING IS UNPUBLISHED. RELEASED FOR PUBLICATION  
 © COPYRIGHT BY TYCO ELECTRONICS CORPORATION. ALL RIGHTS RESERVED.

LOC	DIST	REVISIONS					
ES	00	P	LTR	DESCRIPTION	DATE	DWN	APVD
		0		RELEASED ECR-05-001438	30MAR05	J.Z	I.E



- ① COORDINATE DIMENSION APPLIES FROM CENTER OF ACTUAL FEATURE.
- ② HOUSING: LCP, BLACK
- ③ 2.54um MIN TIN ON SOLDER TAIL OVER 1.90um MIN NICKEL ALL OVER.
- ④ CONTACTS: BRASS



5787443-1  
PART NO

THIS DRAWING IS A CONTROLLED DOCUMENT.		DWN	S.KLINE	03-28-95	<b>tyco</b> <b>Electronics</b>	Tyco Electronics Corporation Shanghai PRC		
DIMENSIONS: mm		CHK	S.KLINE	03-30-95		NAME HEADER ASSEMBLY, RIGHT ANGLE, KEYLESS, 5mm $\phi$ , 5 POSN, RETENTIVE SOLDER TAILS, BATTERY INTERCONNECT	SIZE	CAGE CODE
TOLERANCES UNLESS OTHERWISE SPECIFIED:		APVD	S.KLINE	03-30-95	PRODUCT SPEC		108-1501	114-24005
MATERIAL		FINISH		APPLICATION SPEC		WEIGHT	CUSTOMER DRAWING	
② ④		③		114-24005		-	SCALE 2:1 SHEET 1 OF 1 REV 0	