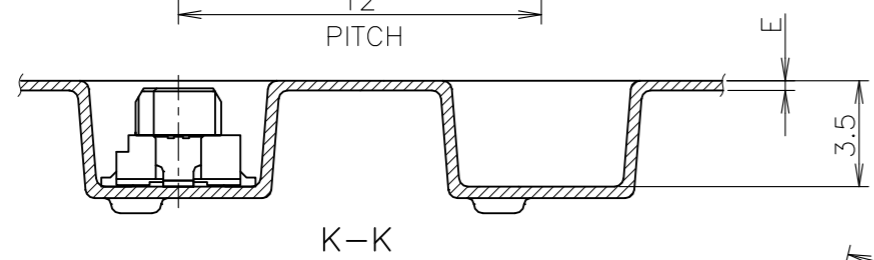
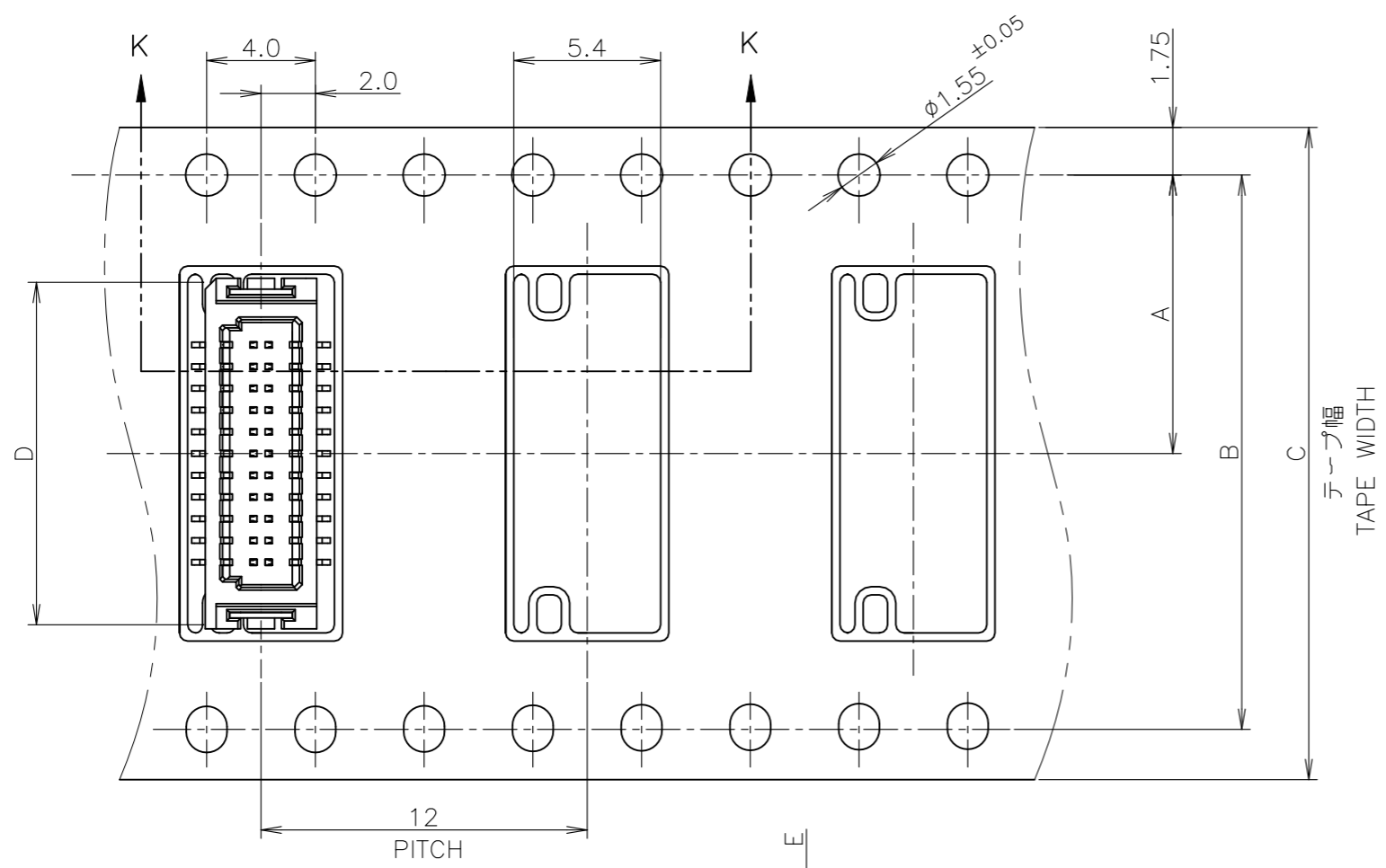


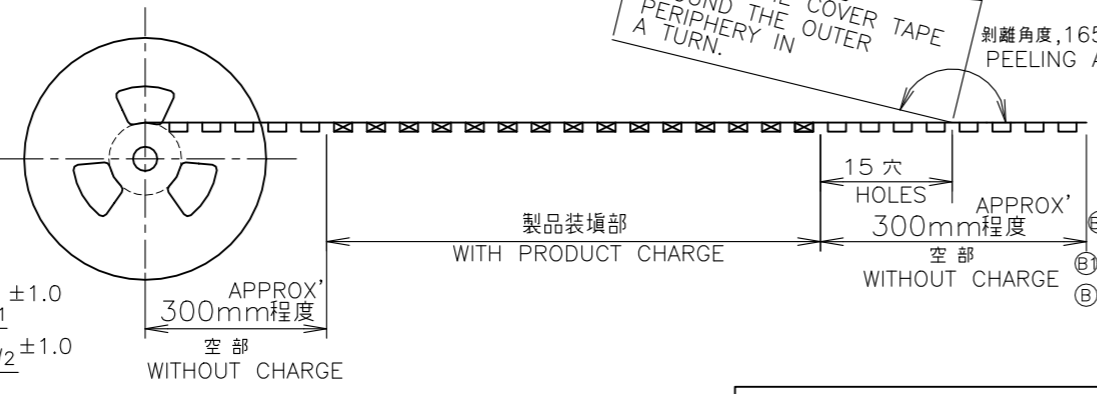
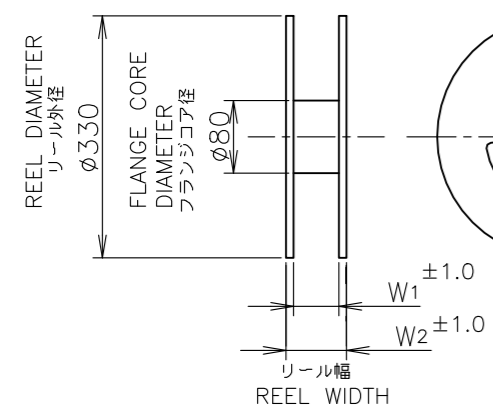
THIS DRAWING IS UNPUBLISHED. RELEASED FOR PUBLICATION DEC ,2004.
 © COPYRIGHT 2004 TE Connectivity Ltd. ALL RIGHTS RESERVED.

REVISIONS 変更					
P	LTR	DESCRIPTION	DATE	DWN	APVD
	B1	OBSOLETE 2-5917408-2 BY ECR-19-020018	2JAN2020	A.L	H.L
	B2	OBSOLETE 6-5917408-0	09NOV2023	MC	HL



引出し方向
TOP OF REEL →

カバーテープ
リーダー部
外周一巻
WEEDING AROUND THE COVER TAPE PERIPHERY IN A TURN.
剥離角度, 165°~180°
PEELING ANGLE.



② OBSOLETE	NATURAL	48.7	45.5	0.4	28.4	44	40.4	20.2	1000	60	6-5917408-0
③ OBSOLETE	NATURAL	29.5	25.5	0.38	13.2	24	11.5	1000	22	2-5917408-2	
④ OBSOLETE	BLACK	22	18	0.5	8.4	16	7.5	1000	10	1-5917408-0	
	COLOR	W2	W1	E	D	C	B	A	数量 (ヶ) QTY/REEL	極数 POS	リール巻 コネクタ型番 TAPING P/N

THIS DRAWING IS A CONTROLLED DOCUMENT.

DWN: M.IWASAKI 27DEC04
 CHK: Y.NAKAZAWA 27DEC04
 APVD: T.KUSUHARA 27DEC04

STE TE Connectivity Ltd.

ON TAPING EMBOSS
 0.8mm PITCH B-TO-B CONN
 RECEPTACLE ASSEMBLY WITH KEY & BOSS

SIZE: A3 CAGE CODE: 00779 DRAWING NO: C-5917408 RESTRICTED TO: []

SCALE: 4:1 SHEET: 1 OF 2 REV: B2

GENERAL TOLERANCE
一般公差

10 ≥	±0.2
30 ≥ > 10	±0.25
100 ≥ > 30	±0.3
ANGLES	±3°

DIMENSIONS: 単位: 耗 mm

TOLERANCES UNLESS OTHERWISE SPECIFIED: 一般公差

0 PLC	±
1 PLC	±
2 PLC	±
3 PLC	±
4 PLC	±
ANGLES	±
FINISH 仕上	

MATERIAL 材料

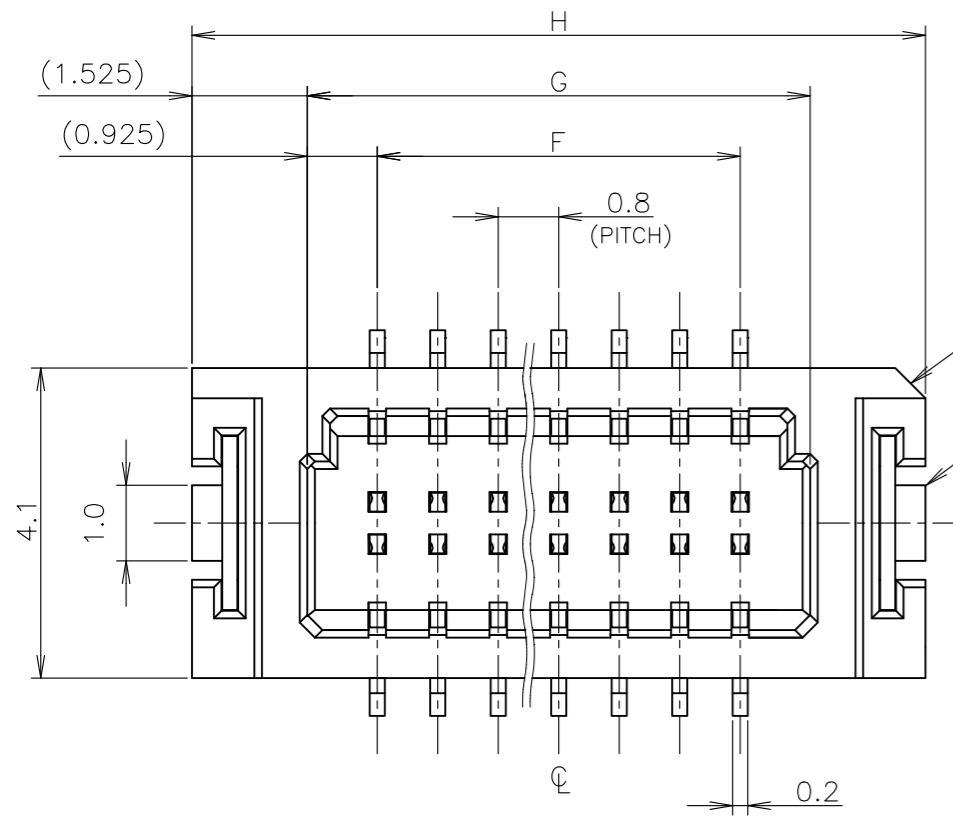
THIS DRAWING IS UNPUBLISHED.
 © COPYRIGHT 2004 TE Connectivity Ltd.
 ALL RIGHTS RESERVED.

RELEASED FOR PUBLICATION
 DEC ,2004.

REVISIONS
 変更

P	LTR	DESCRIPTION	DATE	DWN	APVD
-	-	SEE SHEET 1	-	-	-

本図：コネクタ図
 AS SHOWN: CONNECTOR DWG

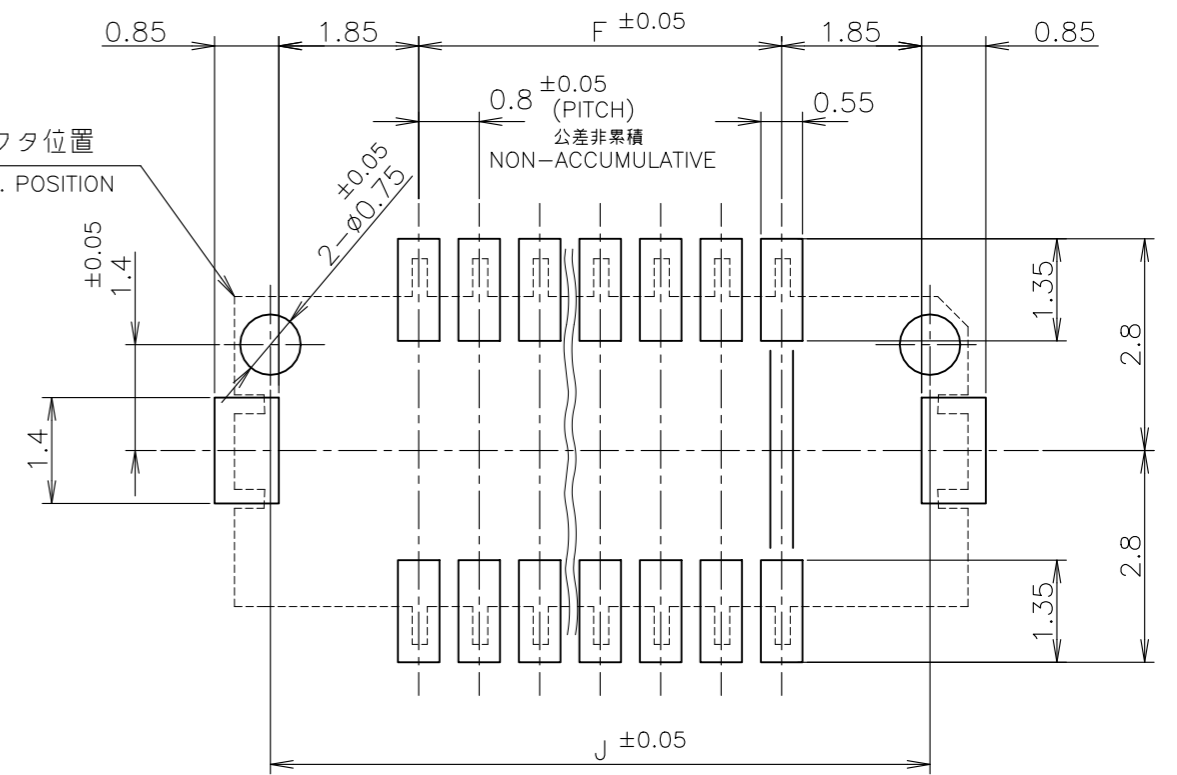


リセプタクルハウジング
 RECEPTACLE HOUSING

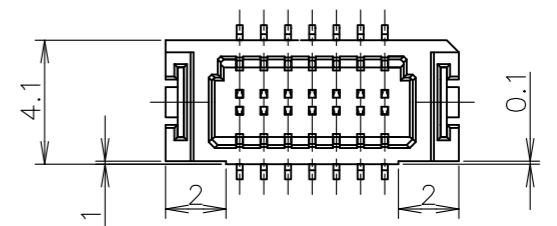
回路番号1側
 CIRCUIT NO.1 SIDE
 テールプレート
 TAIL PLATE

リセプタクルコンタクト
 RECEPTACLE CONTACT

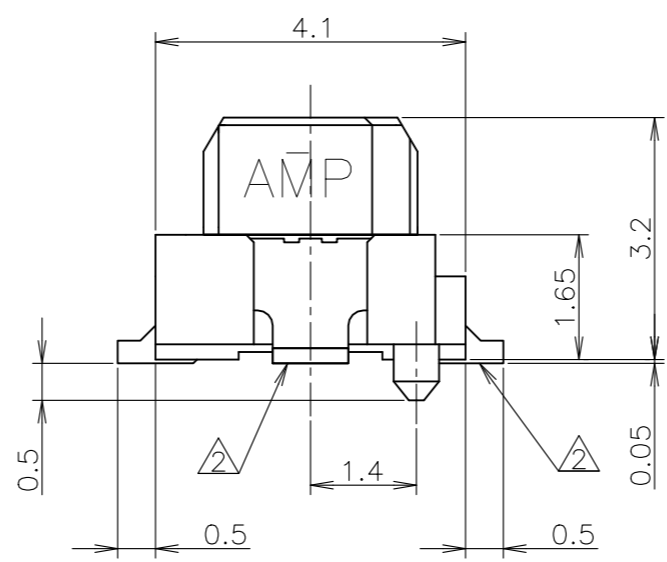
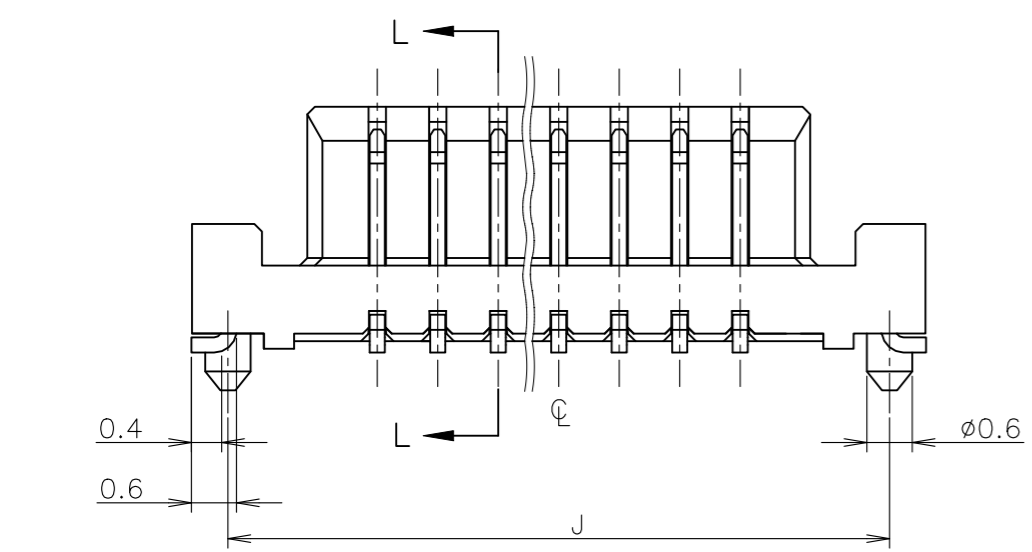
コネクタ位置
 CONN. POSITION



参考基板加工寸法
 REFERENCE P.C BOARD LAYOUT



SCALE 4:1
 AS SHOWN: 1-5917408-0 ONLY



- 1 材料：リセプタクルハウジング：46ナイロン (耐熱性樹脂)
 リセプタクルコンタクト：銅合金 (t=0.2mm) 金めっき
 テールプレート：銅合金 (t=0.2mm) 錫めっき

△ 全てのタイン部及びテールプレートのバラツキは 0.1mm MAX.

- 1 MATERIAL
 REC HOUSING: 46 NYLON (HIGH HEAT-RESISTED RESIN)
 REC CONTACT: COPPER-ALLOY (t=0.2mm) Au PLATING
 TAIL PLATE: COPPER-ALLOY (t=0.2mm) TIN PLATING

△ MISALIGNMENT BETWEEN TAINS AND TAIL PLATE: 0.1mm MAX.

GENERAL TOLERANCE 一般公差

10 ≥	±0.2
30 ≥ > 10	±0.25
100 ≥ > 30	±0.3
ANGLES: ±3°	

THIS DRAWING IS A CONTROLLED DOCUMENT.

DIMENSIONS: 単位： 耗 mm	TOLERANCES UNLESS OTHERWISE SPECIFIED: 一般公差
	0 PLC ±
	1 PLC ±
	2 PLC ±
	3 PLC ±
	4 PLC ±
MATERIAL 材料	ANGLES ±
	FINISH 仕上

INSTRUCTION SHEET
 取扱説明書 411-5808

DWN	
CHK	
APVD	
NAME 名称	
PRODUCT SPEC 製品規格 108-5512	ON TAPING EMBOSS 0.8mm PITCH B-TO-B CONN RECEPTACLE ASSEMBLY WITH KEY & BOSS
APPLICATION SPEC 取付適用規格	SIZE A3
WEIGHT	CAGE CODE 00779
CUSTOMER DRAWING	DRAWING NO C-5917408
	RESTRICTED TO
	SCALE 尺度 10:1
	SHEET 2 of 2
	REV B2

27.15	28.1	25.05	23.2	60	6-5917408-0
11.95	12.9	9.85	8.0	22	2-5917408-2
7.15	8.1	5.05	3.2	10	1-5917408-0
J	H	G	F	極数 POS	型番 PART NO