

THIS DRAWING IS UNPUBLISHED.

RELEASED FOR PUBLICATION

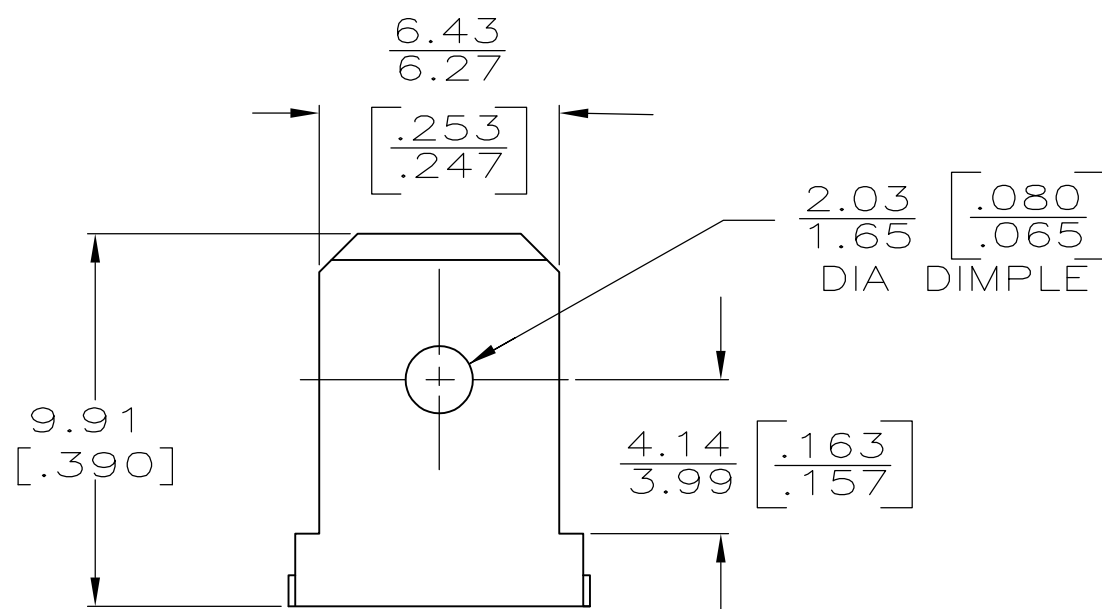
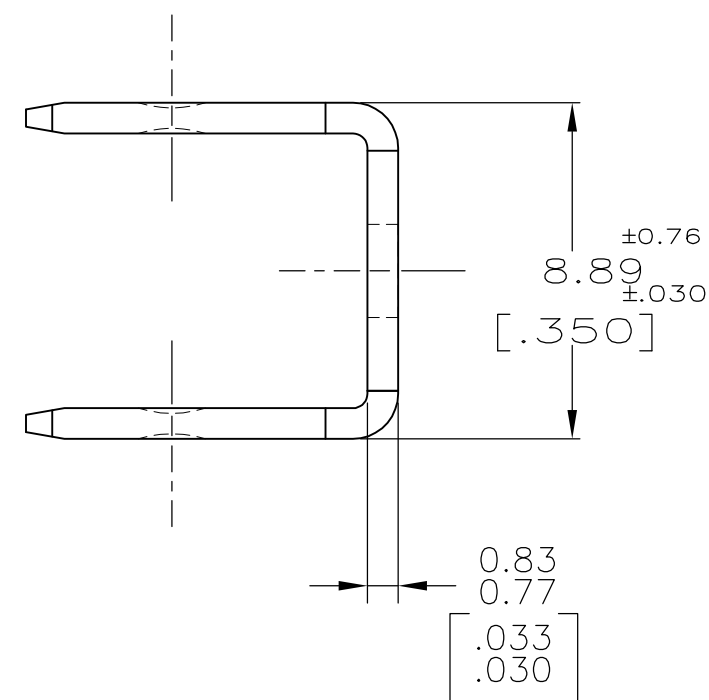
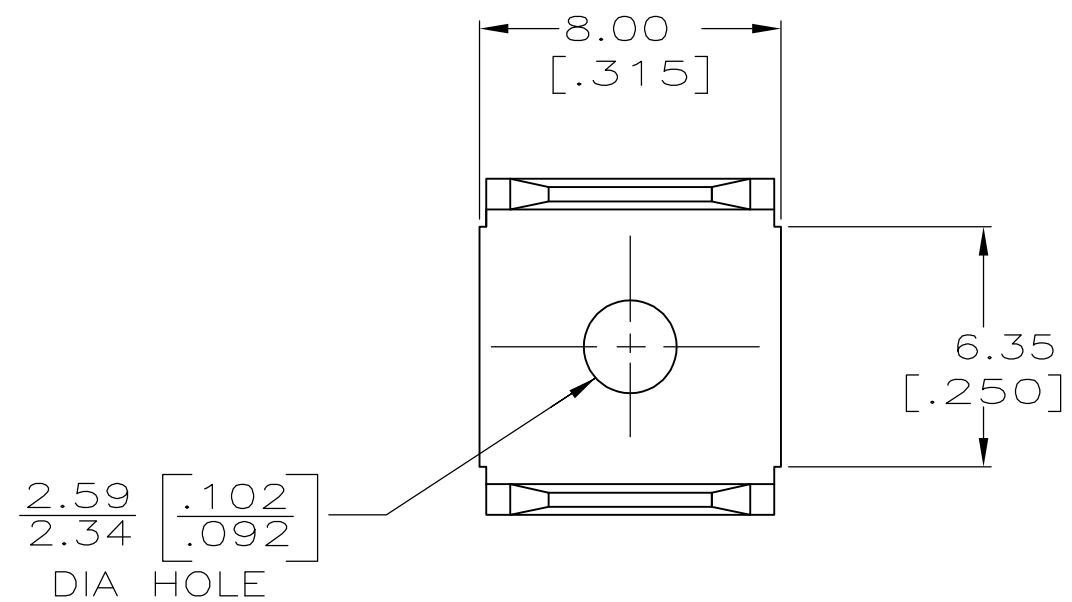
© COPYRIGHT - By -

ALL RIGHTS RESERVED.


LOC	DIST	REVISIONS			
P	LTR	DESCRIPTION	DATE	DWN	APVD
AF	50				
	AJ	REVISED PER ECR-13-011489	06DEC2013	KH	PD

1 SUPPLIED IN LOOSE PIECE.

2 PRELIMINARY - NOT FOR PRODUCTION.



TIN OVER COPPER	2 60080-3
TIN	60080-2
FINISH	PART NO

THIS DRAWING IS A CONTROLLED DOCUMENT.		DWN	JR RUTH	12/2/91	 TE Connectivity
DIMENSIONS: mm [INCHES]		CHK	MS FEHER	12/2/91	
TOLERANCES UNLESS OTHERWISE SPECIFIED:		APVD	MEYERS	12/2/91	
0 PLC ± - 1 PLC ± - 2 PLC ± - 3 PLC ± 0.38 [.015] 4 PLC ± - ANGLES ± -		PRODUCT SPEC	NAME		
MATERIAL	BRASS	FINISH	SEE TABLE	APPLICATION SPEC	TAB, FASTON, 6.35 [.250] SERIES
CUSTOMER DRAWING		WEIGHT	-	SIZE	A3
SCALE		5:1	CAGE CODE	00779	DRAWING NO
SHEET		1 OF 1	REV	AJ	RESTRICTED TO