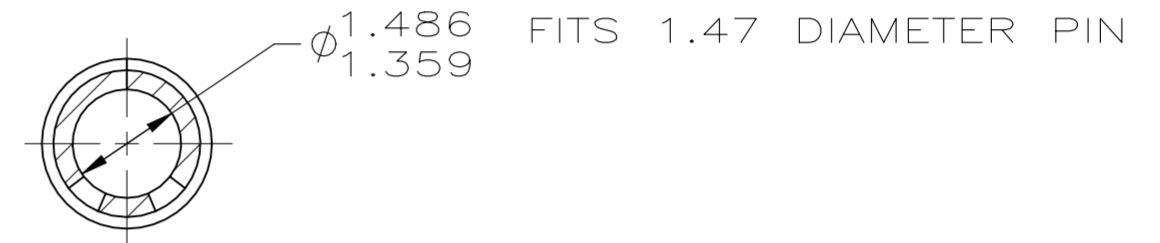
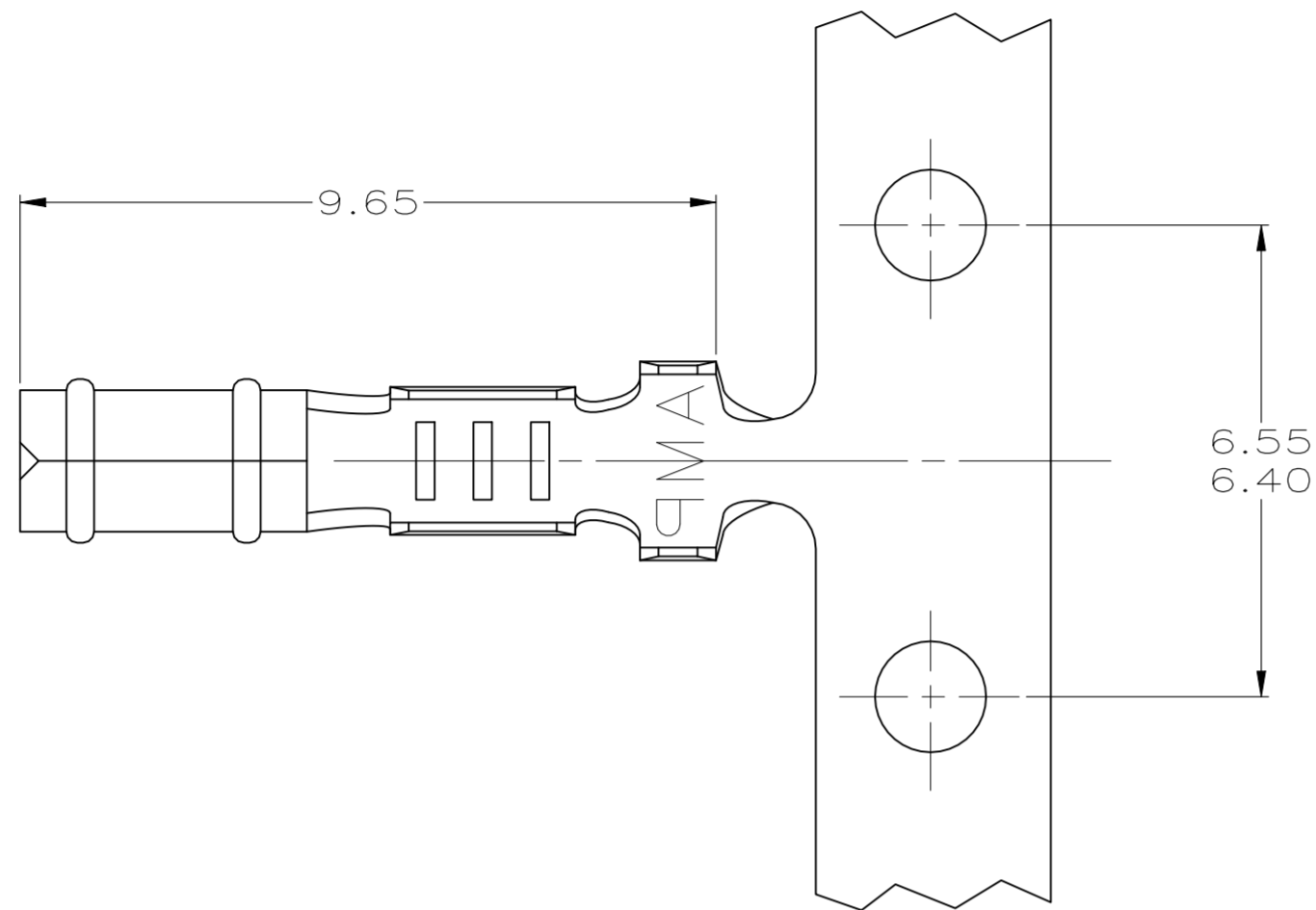


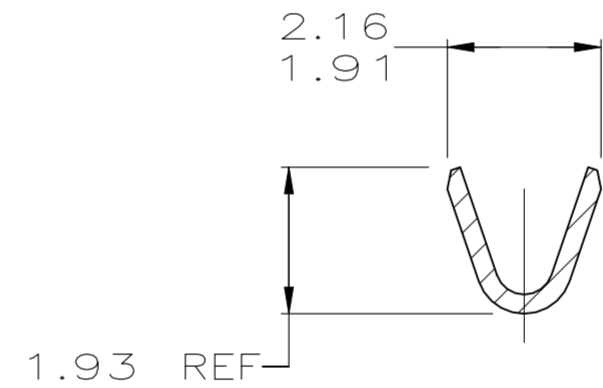
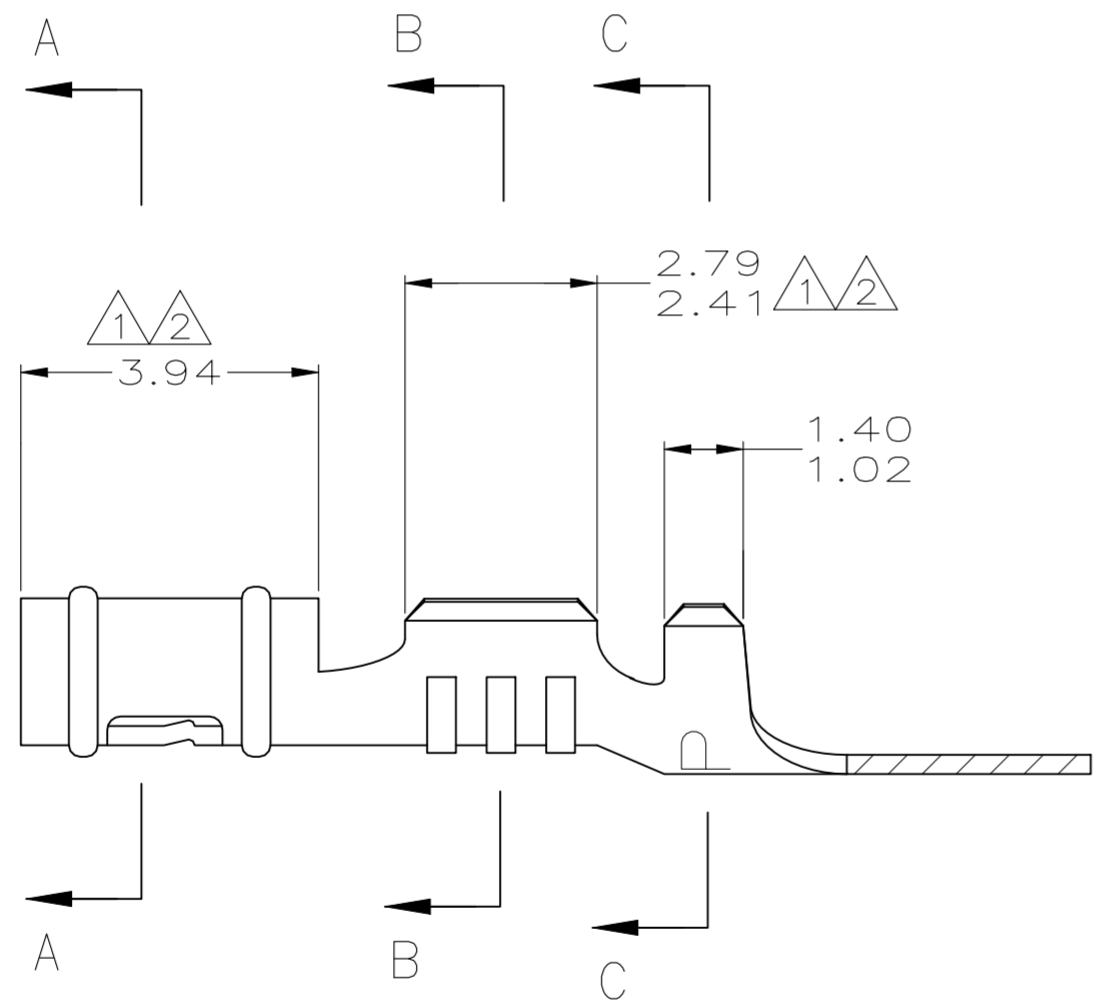
THIS DRAWING IS UNPUBLISHED. RELEASED FOR PUBLICATION
 © COPYRIGHT - By - ALL RIGHTS RESERVED.

LOC		DIST		REVISIONS			
P	LTR	DESCRIPTION		DATE	DWN	APVD	
CM	52	AH3	REVISED PER ECR-24-208420	15MAY24	SK	JP	

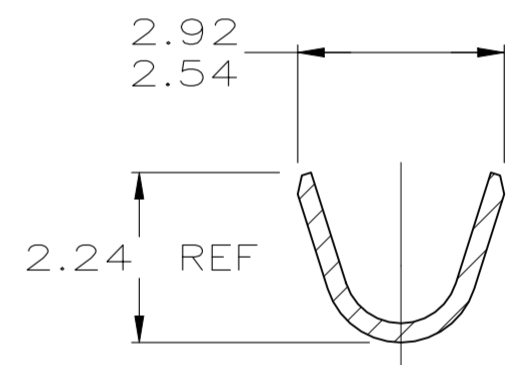
- ① 0.00038 MIN SELECTIVE GOLD PLATING ON INSIDE OF RECEPTACLE AND WIRE BARREL OVER NICKEL OVER ALL UNDERPLATE.
- ② 0.00076 MIN SELECTIVE GOLD PLATING ON INSIDE OF RECEPTACLE AND WIRE BARREL OVER NICKEL OVER ALL UNDERPLATE.
- 3. WIRE RANGE: 0.2 - 0.6 MM² (24 - 20 AWG)
- 4. INSULATION RANGE: 1.14 - 1.78
- ⑤ REVERSED REELED.



SECTION A-A



SECTION B-B

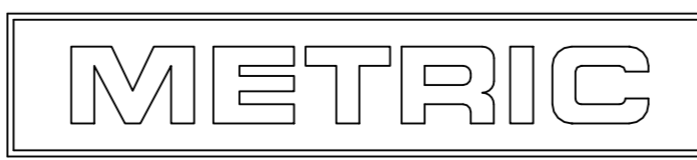


SECTION C-C

SUPERSEDED BY 1-60598-0	①	0.25 BE CU	1-60598-0
	①	0.25 BE CU	-60598-9
	⑤ ①	0.25 BE CU	60598-8
	②	0.25 PH BRZ	60598-7
	⑤ ①	0.25 PH BRZ	60598-6
⑤ SUPERSEDED BY 60598-1	⑤ ②	0.25 PH BRZ	60598-5
	MATTE TIN	0.25 BE CU	60598-4
	PRE-TIN	0.25 PH BRZ	60598-3
⑤	MATTE TIN	0.25 BE CU	60598-2
	PRE-TIN	0.25 PH BRZ	60598-1
	FINISH	MATERIAL	PART NUMBER

MM	IN	MM	IN	MM	IN	MM	IN
1.14	.045	1.91	.075	2.79	.110	-	-
1.02	.040	1.78	.070	2.54	.100	9.65	.380
0.25	.010	1.486	.0585	2.41	.095	6.55	.258
0.13	.005	1.47	.058	2.24	.088	6.40	.252
0.00076	.000030	1.40	.055	2.16	.085	3.94	.155
0.00038	.000015	1.359	.0535	1.93	.076	2.92	.115

CONVERSION TABLE



THIS DRAWING IS A CONTROLLED DOCUMENT.

DIMENSIONS: mm	TOLERANCES UNLESS OTHERWISE SPECIFIED:	DWN T. BECK 5-08-97	TE Connectivity
0 PLC ± -	1 PLC ± -	CHK R. SWING 5-08-97	
2 PLC ± 0.13	3 PLC ± -	APVD A. BEDDICK 8-22-97	NAME
4 PLC ANGLES ± -	FINISH	PRODUCT SPEC 108-1025	RECEPTACLE, .058 DIAMETER, 24-20 AWG, .045-.070 INSULATION, P.C. CONTACT
MATERIAL SEE TABLE	SEE TABLE	APPLICATION SPEC 114-1008	SIZE A2 CAGE CODE 00779 DRAWING NO C-60598
		WEIGHT -	RESTRICTED TO -
		CUSTOMER DRAWING	SCALE 10:1 SHEET 1 OF 1 REV AH3