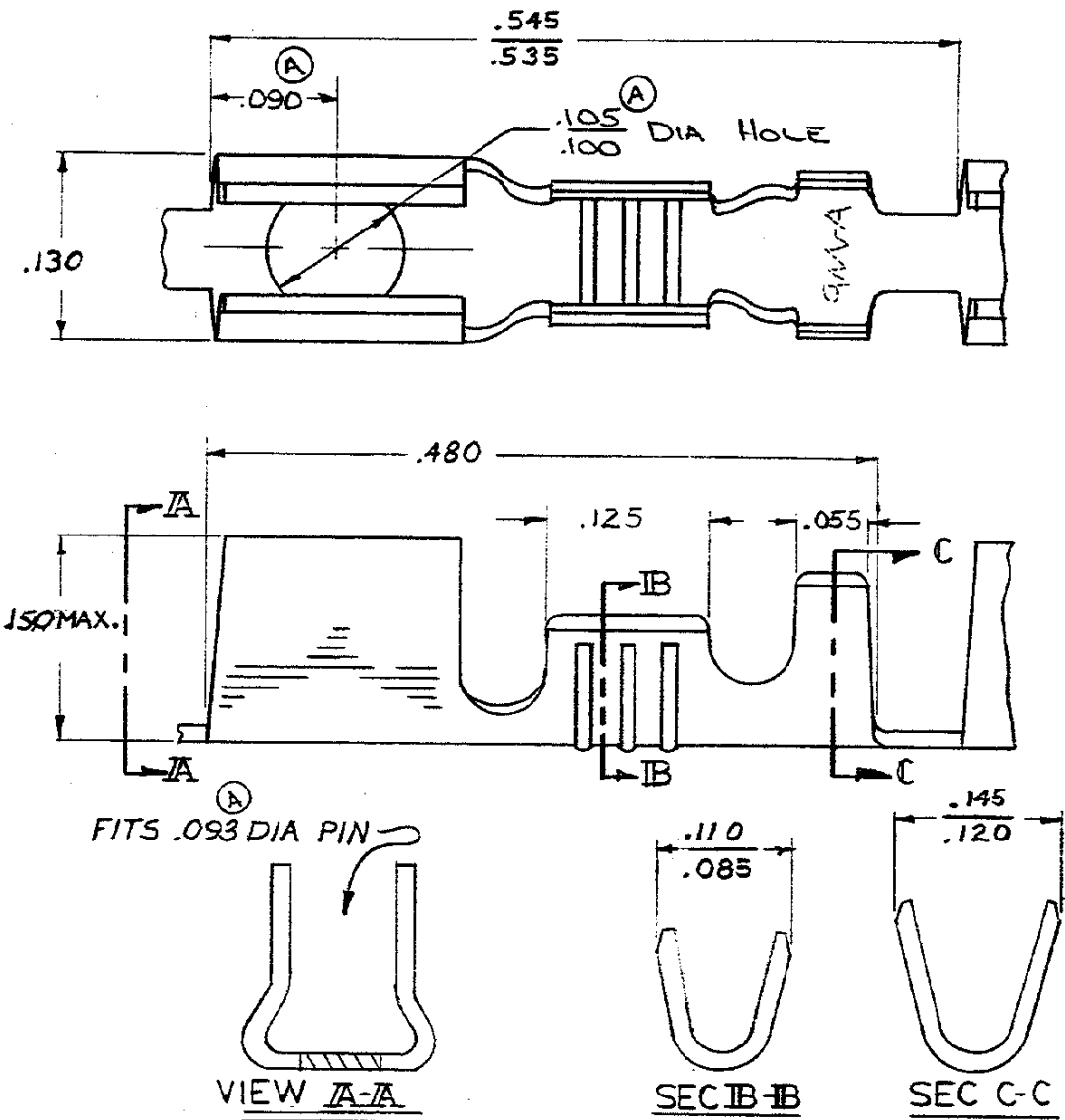


NUMBER  
60884



CP-50226

DIMENSIONS IN INCHES. DO NOT SCALE PRINT.

PART NUMBER	MATERIAL - FINISH
<del>60884-1</del>	<del>.012 BRASS - NONE</del>
<del>60884-2</del>	<del>.012 PH BRONZE - PRE-TIN</del>
60884-3	.012 BRASS - TIN

OBSOLETE

OBSOLETE

©1965 BY AMP INCORPORATED. ALL RIGHTS RESERVED. AMP PRODUCTS COVERED BY PATENTS AND/OR PATENTS PENDING.		<b>CUSTOMER COPY REFERENCE ONLY</b>	
MATERIAL AND FINISH		<b>TE</b> TE Connectivity	
H3	REVISED PER ECR-23-180495	SS	RE 17OCT2023
H2	REVISED PER ECR-21-119150	MK	EW 12NOV 2021
H1	REVISED PER ECR-21-101841	SS	EW 14APR 2021
WIRE RANGE INSULATION		TYPE	
22-18 .100 MAX		CUP	
TOLERANCE EXCEPT AS NOTED		SCALE	LOC NO
± .015 ± 1°		4-1	AF A 60884
NAME		REV	
PIN RECEPTACLE		H3	

DR	REVISION RECORD	CHK	DATE
L. KENSINGER	6/7/65	DE	
H. J. DELL	6-14-65	APP	H. J. DELL 6-14-65