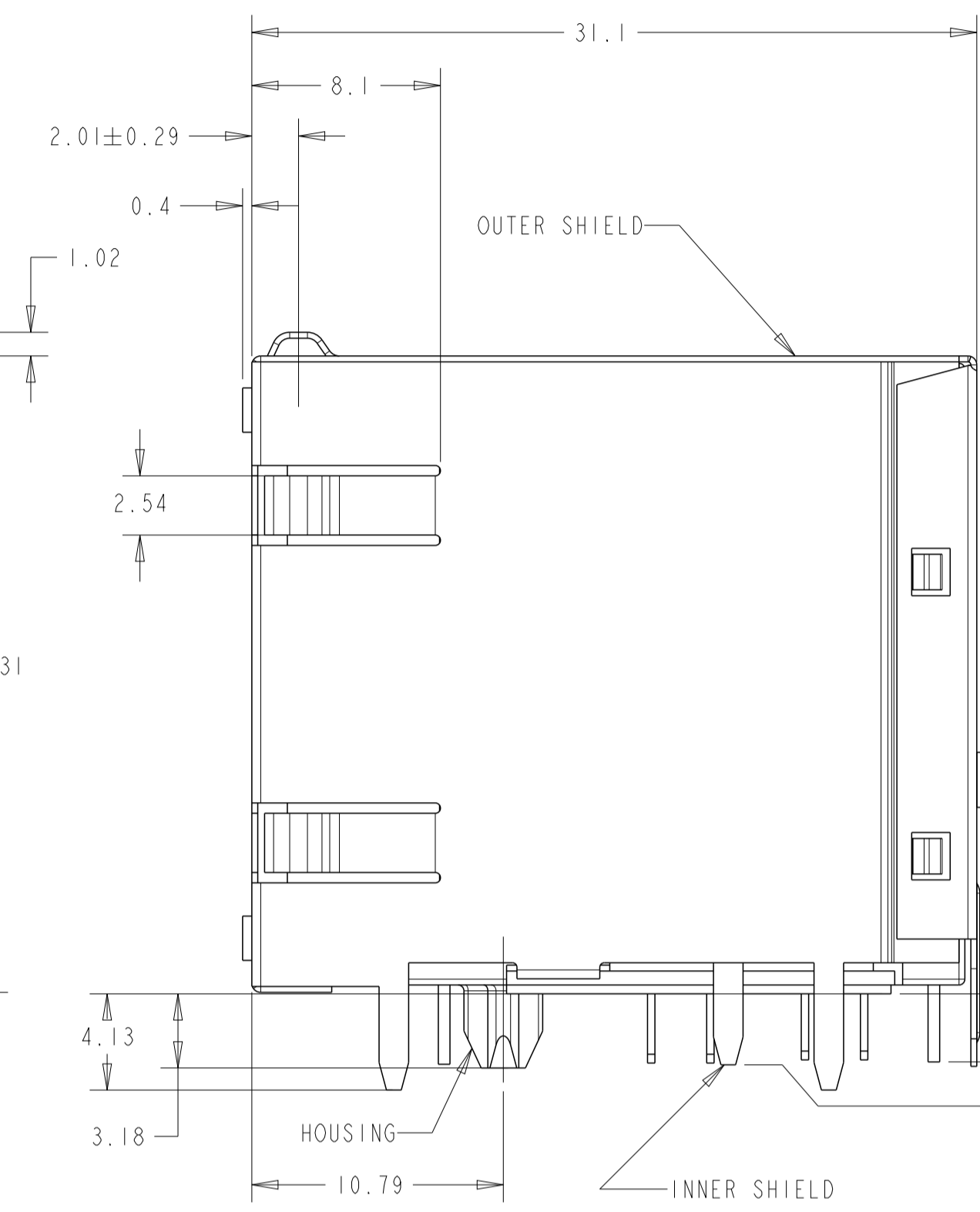
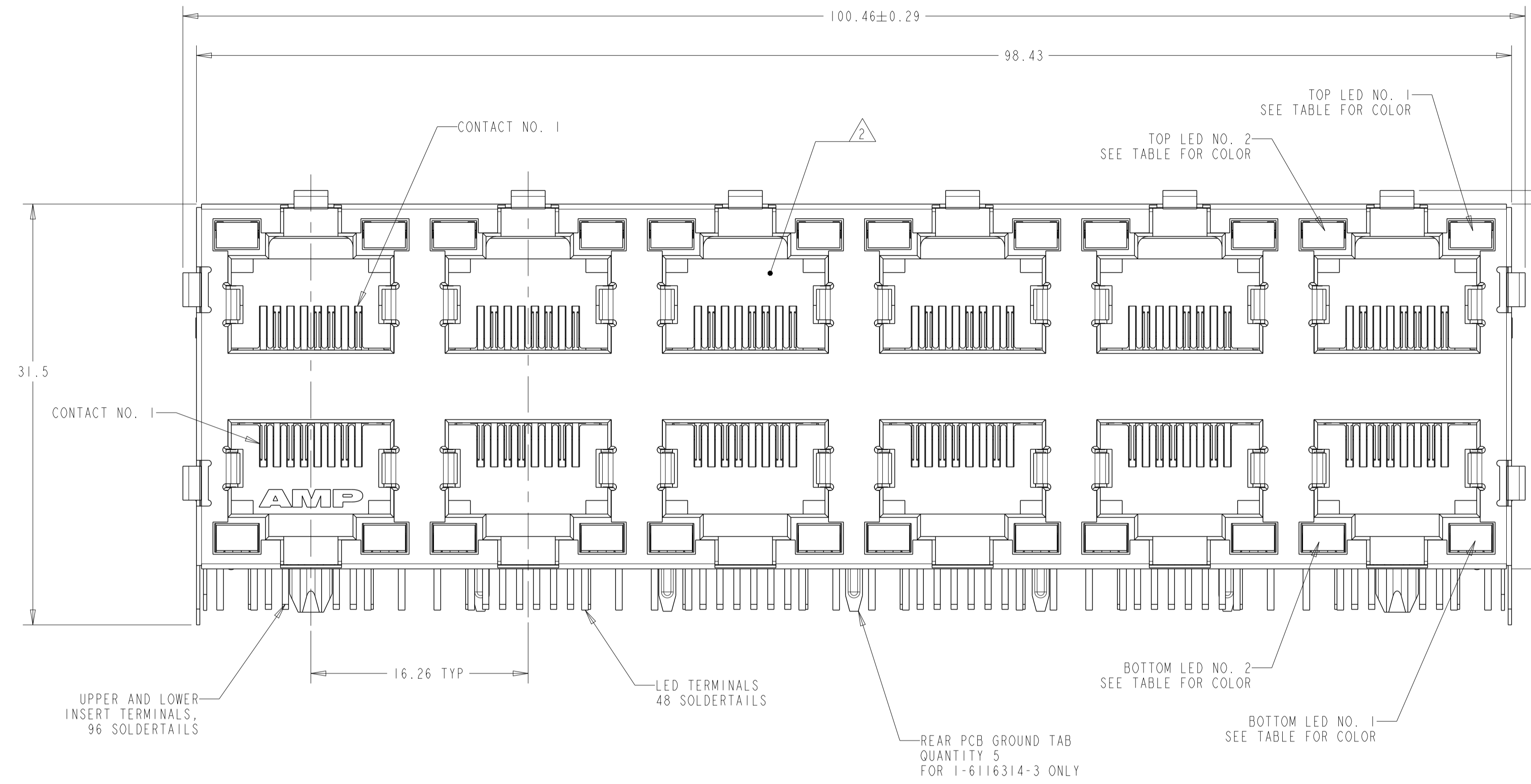
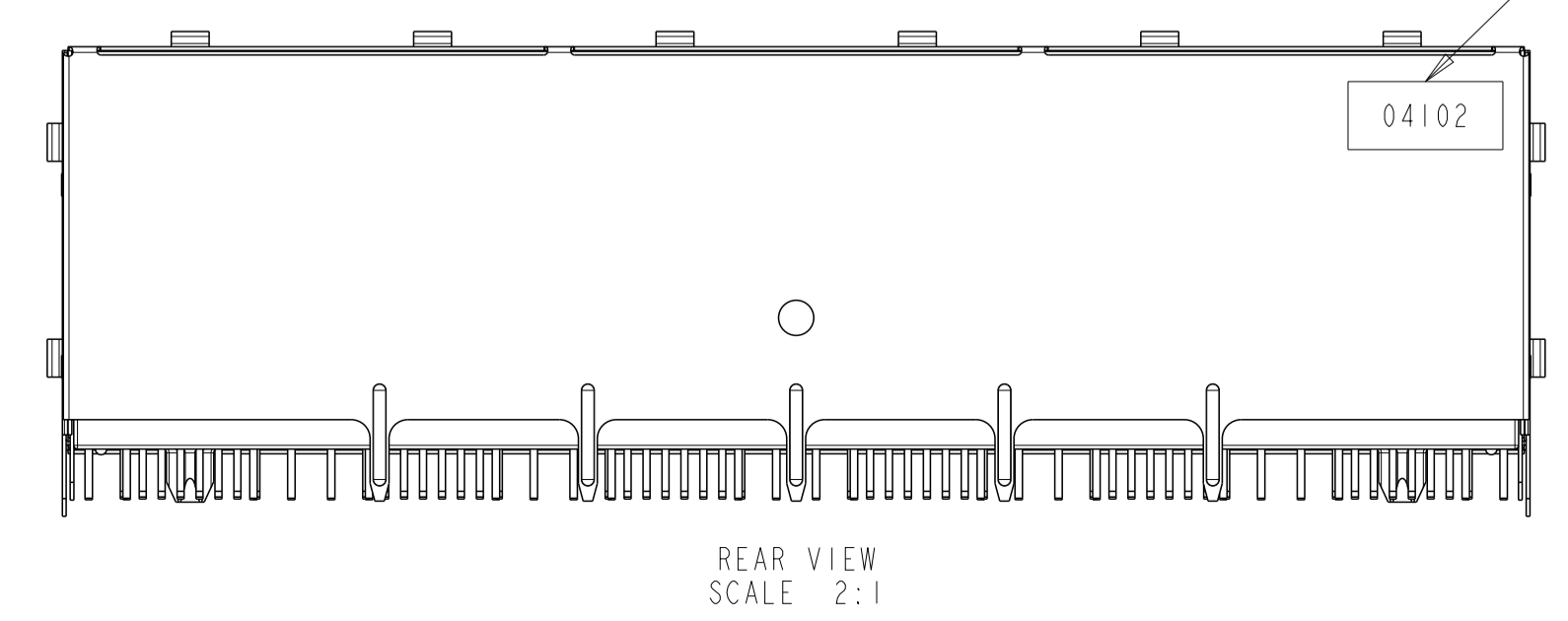
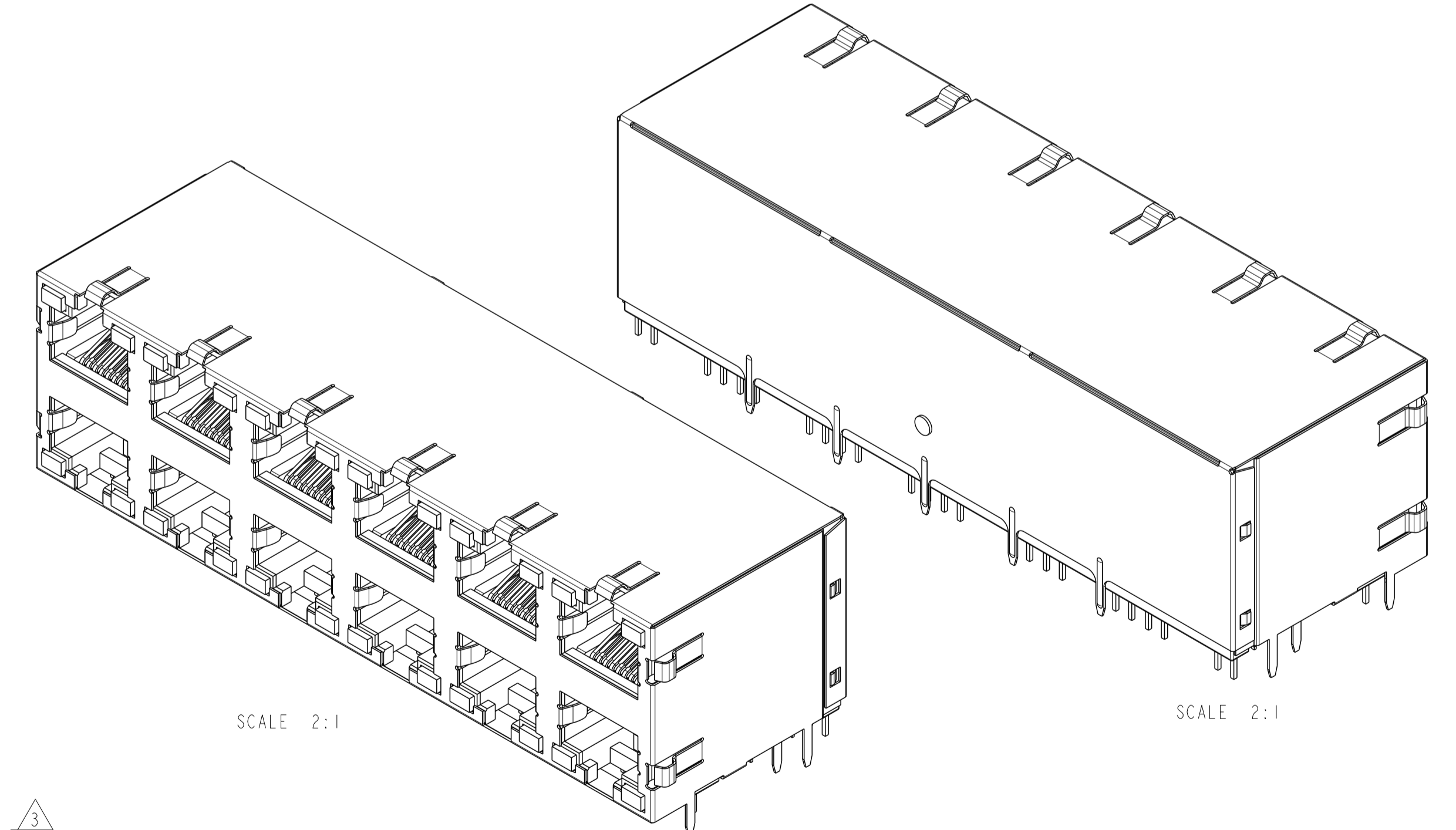
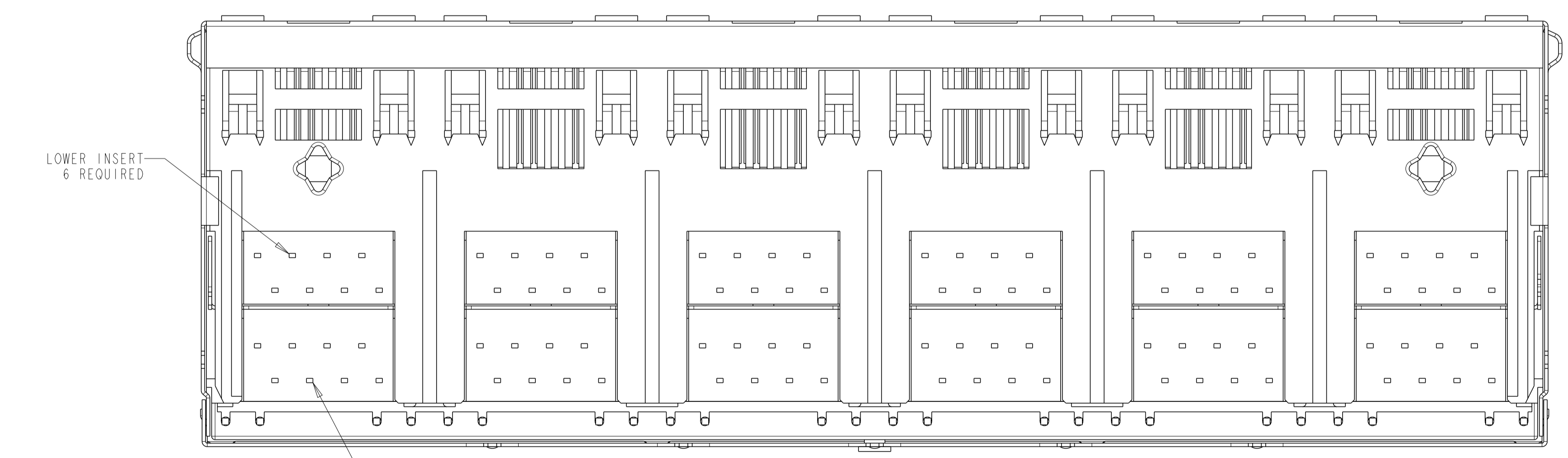


LOC		DIST		REVISIONS				
P	LTN	DESCRIPTION	DATE	OWN	APVD	TY	SY	
D1		ECR-09-004284	17APR2009	TY	SY			
D2		MODIFIED AS PER ECR-23-169440	30MAR2023	KV	HW			



- 1 MATERIAL: HOUSING - PBT POLYESTER, BLACK, UL 94V-0. TERMINALS - 0.33 THICK PHOS BRONZE PLATED WITH 1.27µm MINIMUM THICK HARD GOLD IN LOCALIZED AREA AND 3.81µm MINIMUM THICK MATTE TIN IN SOLDER AREA OVER 1.27µm MINIMUM THICK NICKEL UNDERPLATE. OUTER AND INNER SHIELD-0.25 THICK COPPER ALLOY PLATED WITH 1.27µm(0.000050)min THICK NICKEL AND HOT TIN DIP ON PCB GROUND TABS. LIGHT EMITTING DIODE (LED) - DIFFUSED EPOXY LENS, 0.51 X 0.51 CARBON STEEL WIREFRAME LEADS PREPLATED WITH 8.89µm TIN/COPPER OVER 2.03µm SILVER OVER 3.56µm NICKEL UNDERPLATE OVER 1.02µm COPPER UNDERPLATE.
- 2 JACK CAVITY CONFORMS TO FCC RULES AND REGULATIONS, PART 68 SUBPART F.
- 3 DATE CODE LOCATED ON REAR OF PART APPROX AS SHOWN: FIRST 2 DIGITS ARE LAST 2 DIGITS OF YEAR. SECOND 2 DIGITS ARE MANUFACTURING WORK WEEK. LAST DIGIT IS DAY OF WEEK, WITH SUNDAY=1.
- 4 SUGGESTED OPERATING CURRENT FOR THE LED IS 20 mA.
- 5 THIS MODULAR JACK WITH INTEGRATED LED IS NOT IR REFLOW SOLDERING PROCESS COMPATIBLE.
- 6 MATERIAL: HOUSING - PBT POLYESTER, BLACK, UL 94V-0. TERMINALS - 0.33 THICK PHOS BRONZE PLATED WITH 1.27µm MINIMUM THICK HARD GOLD IN LOCALIZED AREA AND 3.81µm MINIMUM THICK MATTE TIN IN SOLDER AREA OVER 1.27µm MINIMUM THICK NICKEL UNDERPLATE. SHIELD - 0.25 THICK COPPER ALLOY PLATED WITH 1.27µm MINIMUM NICKEL AND 2.03µm MINIMUM HOT TIN DIP ON PCB GROUND TABS. LIGHT EMITTING DIODE (LED) - DIFFUSED EPOXY LENS, 0.51 X 0.51 CARBON STEEL WIREFRAME LEADS PREPLATED WITH 8.89µm TIN/COPPER OVER 2.03µm SILVER OVER 3.56µm NICKEL UNDERPLATE OVER 1.02µm COPPER UNDERPLATE.

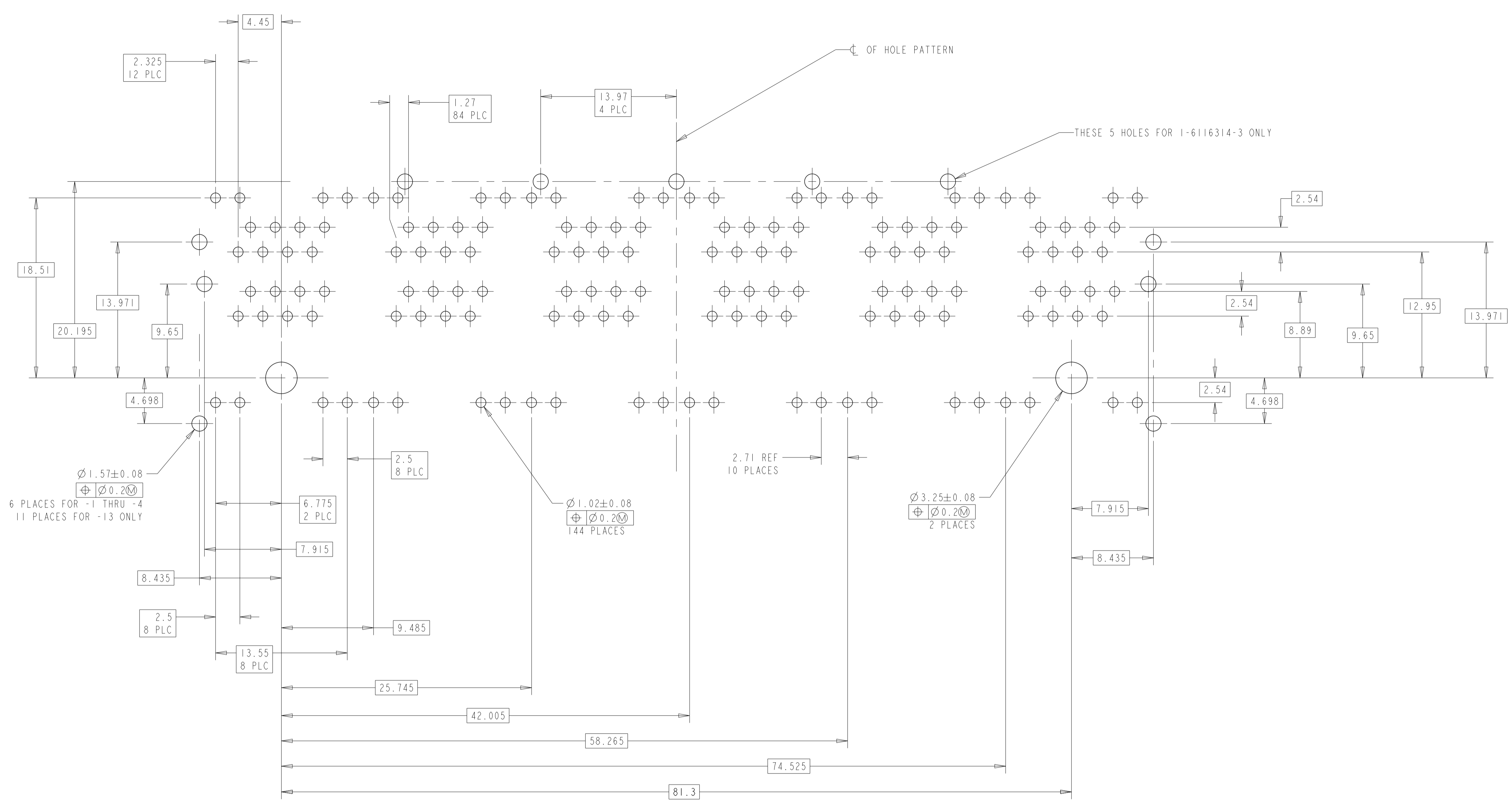


LED NO. 2	LED NO. 1	LED NO. 2	LED NO. 1	PART NUMBER
GREEN	YELLOW	GREEN	YELLOW	1-6116314-3
GREEN/ORANGE	GREEN/ORANGE	GREEN/ORANGE	GREEN/ORANGE	6116314-4
GREEN	YELLOW	GREEN	YELLOW	6116314-3
YELLOW	GREEN	GREEN	YELLOW	6116314-2
GREEN	GREEN	GREEN	GREEN	6116314-1

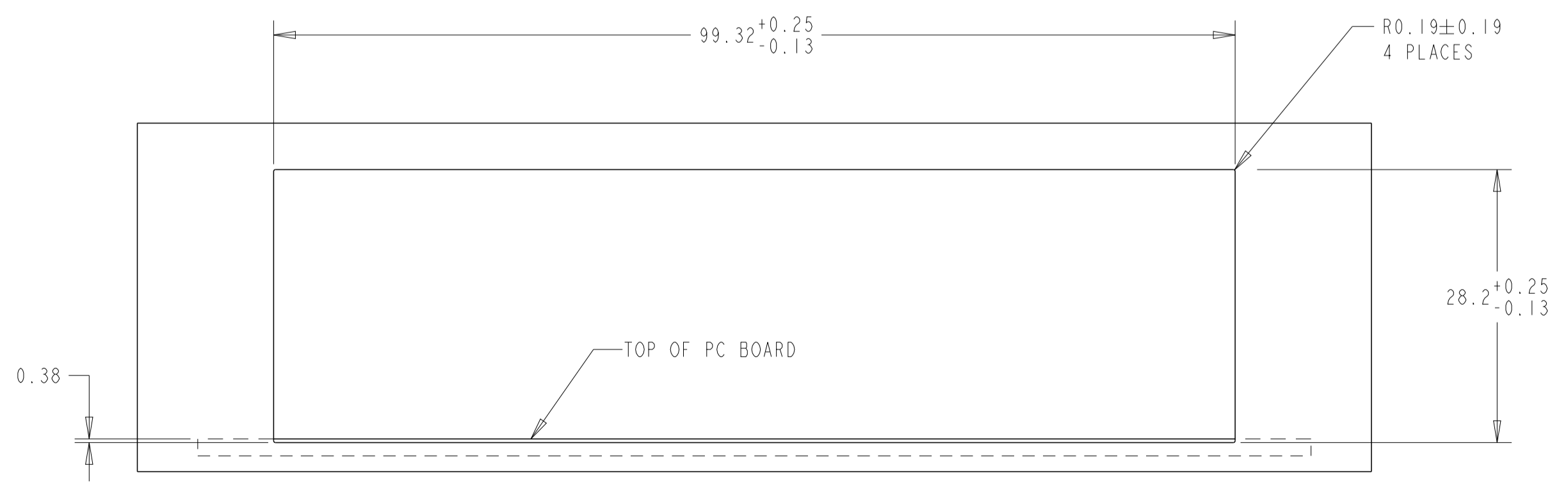
DIMENSIONS: mm 		TOLERANCES UNLESS OTHERWISE SPECIFIED: 0 PLC ±0.25 1 PLC ±0.25 2 PLC ±0.25 3 PLC ±0.25 4 PLC ±0.25 ANGLES ±0.25		DWN D. RINGLER 11SEP2005 CHK J. WESTMAN 11SEP2005 APVD S. FLICKINGER 11SEP2005 PRODUCT SPEC 108-1163-2 APPLICATION SPEC 114-2154 WEIGHT - CUSTOMER DRAWING		Tyco Electronics Harrisburg, PA 17105-3608 NAME ASSEMBLY, STACKED JACK, 2 x 6, 8 POSITION, SHIELDED, PANEL GROUND, LEDS, CATEGORY 5 SIZE CAGE CODE DRAWING NO RESTRICTED TO A1 00779 C=6116314-C SCALE 4:1 SHEET 1 OF 2 REV D2	
-----------------------	--	---	--	--	--	---	--

LOC	DIST	REV	DATE	BY	APPV
AA	00				

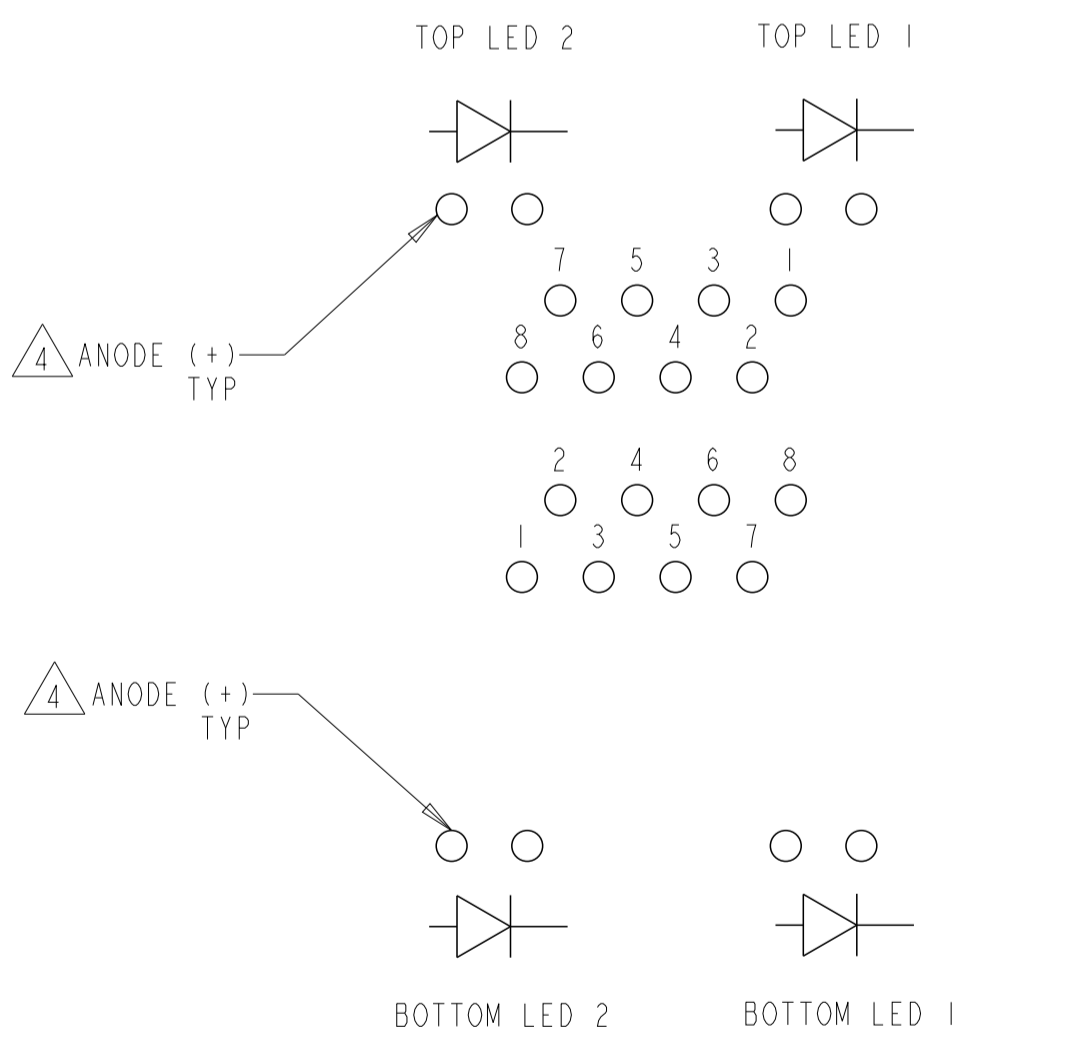
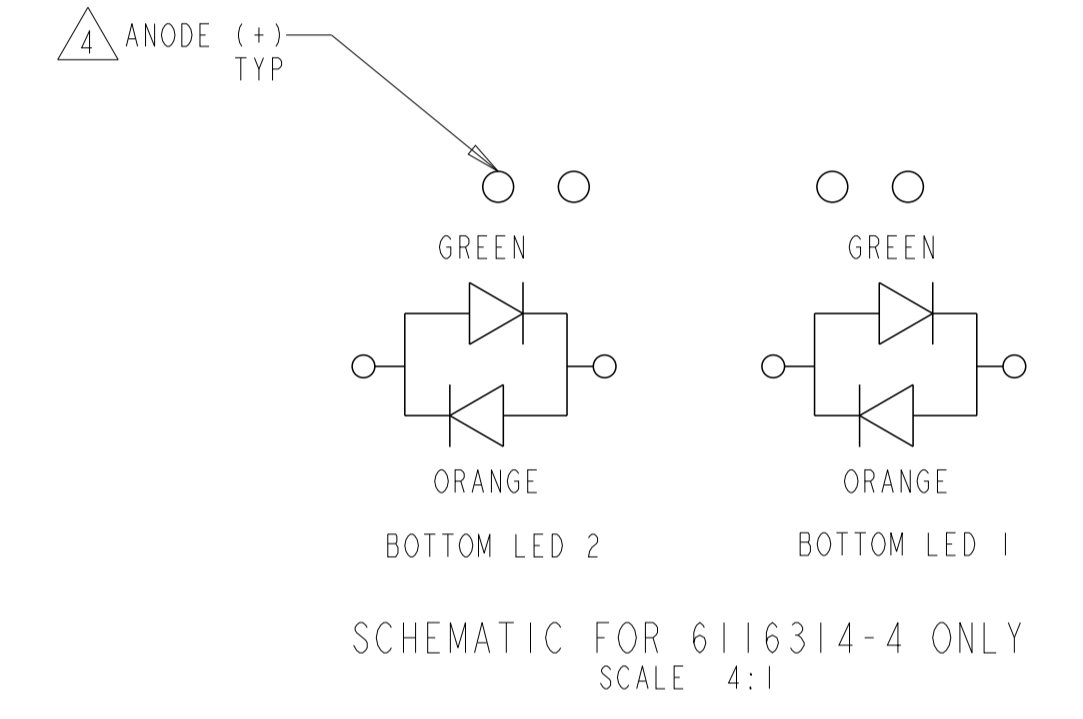
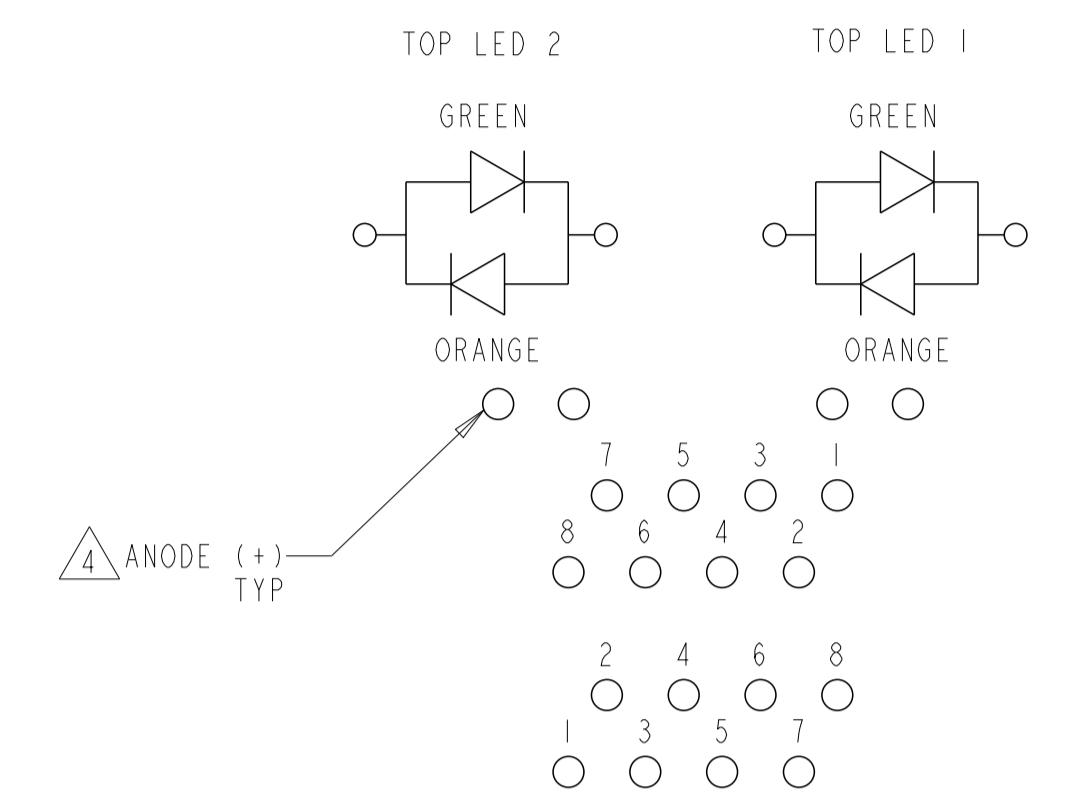
REVISIONS			
NO.	DESCRIPTION	DATE	BY
-	SEE SHEET 1	-	-



PC BOARD LAYOUT VIEWED FROM COMPONENT SIDE OF BOARD
 SCALE 4:1



SUGGESTED PANEL CUTOUT DIMENSIONS
 SCALE 2:1



SCHMATIC FOR 6116314-1, -2, -3 & -13
 SCALE 4:1

<small>THIS DRAWING IS UNPUBLISHED. RELEASED FOR PUBLICATION. IT IS THE PROPERTY OF TYCO ELECTRONICS CORPORATION. IT IS TO BE USED ONLY FOR THE PURPOSES AND IN THE QUANTITIES SPECIFIED IN THE ORDER. IT IS NOT TO BE REPRODUCED OR TRANSMITTED IN ANY FORM OR BY ANY MEANS, ELECTRONIC OR MECHANICAL, INCLUDING PHOTOCOPYING, RECORDING, OR BY ANY INFORMATION STORAGE AND RETRIEVAL SYSTEM. PERMISSION IS GRANTED TO MAKE LIMITED COPIES OF THIS DRAWING FOR PERSONAL OR INTERNAL USE ONLY. FOR ALL OTHER USES, PERMISSION SHOULD BE CONTACTED FOR THE LATEST POSITION.</small>		DWN D. RINGLER 11SEP2005 CHK J. WESTMAN 11SEP2005	Tyco Electronics Harrisburg, PA 17105-3608
DIMENSIONS: mm 	TOLERANCES UNLESS OTHERWISE SPECIFIED: 0 PLC ±0.25 1 PLC ±0.25 2 PLC ±0.25 3 PLC ±0.25 4 PLC ±0.25 ANGLES ±0.25	NAME S. FLICKINGER 11SEP2005 PRODUCT SPEC 108-1163-2 APPLICATION SPEC 114-2154	SIZE A1 00779 ©=6116314 CUSTOMER DRAWING
MATERIAL SEE NOTE 1	FINISH SEE NOTE 1	WEIGHT - SCALE 4:1	RESTRICTED TO SHEET 2 OF 2 REV D2