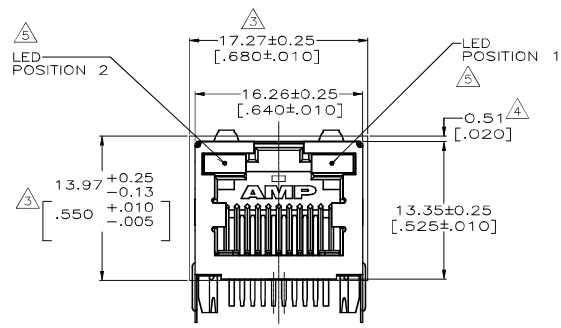
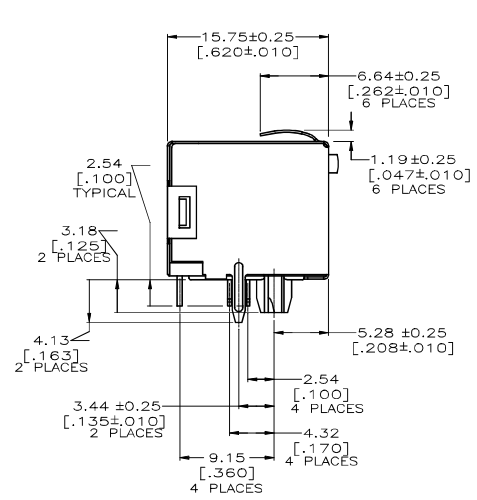
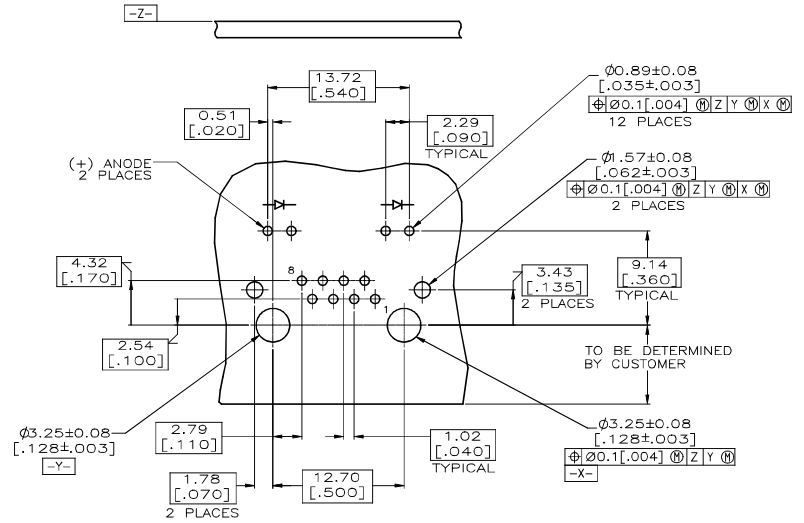


REVISIONS			
TR	CHK	DESCRIPTION	DATE
B1	REVISED AS PER ECR-23-180979		13JUL2023 JK JK



- △ MATERIAL: HOUSING - HIGH TEMPERATURE NYLON, HEAT DEFLECTION TEMPERATURE RATING 278°C [532°F] AT 1.8MPA [264 PSI], BLACK, UL94V-0. TERMINALS - 0.36[.014] THICK PHOS BRONZE PLATED WITH 3.81µm[.000150] MINIMUM THICK TIN IN SOLDER AREA, 1.27µm [.000050] MINIMUM GOLD IN LOCALIZED PLATE AREA. ENTIRE TERMINAL PLATED WITH 1.27µm [.000050] MINIMUM THICK NICKEL. SHIELD - 0.196[.0077] THICK COPPER ZINC ALLOY PREPLATED WITH 1.27µm[.000050] MINIMUM SATIN NICKEL WITH 2.03µm[.000080] MINIMUM SnAgCu POST DIPPED ON PCB GROUND TABS. LIGHT EMITTING DIODE (LED) - DIFFUSED EPOXY LENS, 0.51 x 0.51[.020 x .020] CARBON STEEL WIREFRAME LEADS PREPLATED WITH 2.29µm[.000090] SILVER OVER 1.02µm[.000040] NICKEL UNDERPLATE OVER 2.03µm[.000080] COPPER UNDERPLATE.
- 2. POST-PLATED WITH 6.35µm [.000250] MINIMUM TIN. LEDS NOT DESIGNED FOR SOLDERING.
- △ JACK CAVITY CONFORMS TO FCC RULES AND REGULATIONS PART 68, SUBPART F.
- △ SUGGESTED PANEL OPENING DIMENSIONS.
- △ SUGGESTED CLEARANCE BETWEEN TOP OF CONNECTOR AND TOP PANEL OPENING.
- SEE TABLE FOR COLOR OF LEDS AND NUMBER REQUIRED.
- 6. TRAY PACKAGED.
- △ TYPE&REEL PACKAGED PER EIA 481 REV D.



SUGGESTED PRINTED CIRCUIT BOARD LAYOUT (COMPONENT SIDE)

OBSOLETE	△	GREEN	YELLOW	6116615-6
	△	GREEN	GREEN	6116615-5
	△	GREEN	YELLOW	6116615-4
PACKAGE		POSITION 2	POSITION 1	PART NUMBER
		INDICATOR COLOR		
THIS DRAWING IS A CONTROLLED DOCUMENT.				
DIMENSIONS INCHES		DATE: 14OCT2004		
TOLERANCES UNLESS OTHERWISE SPECIFIED		DRAWN BY: S. FLICKENGER		
X: ±0.005		PART NO: 108-1163-4		
Y: ±0.005		APPLICATION SPEC: 114-2154		
Z: ±0.005		SIZE: A1		
FINISH: BRIGHT		REVISION: 1		
MATERIAL: -		CUSTOMER DRAWING		
SCALE: 4:1		SHEET: 1 OF 1		