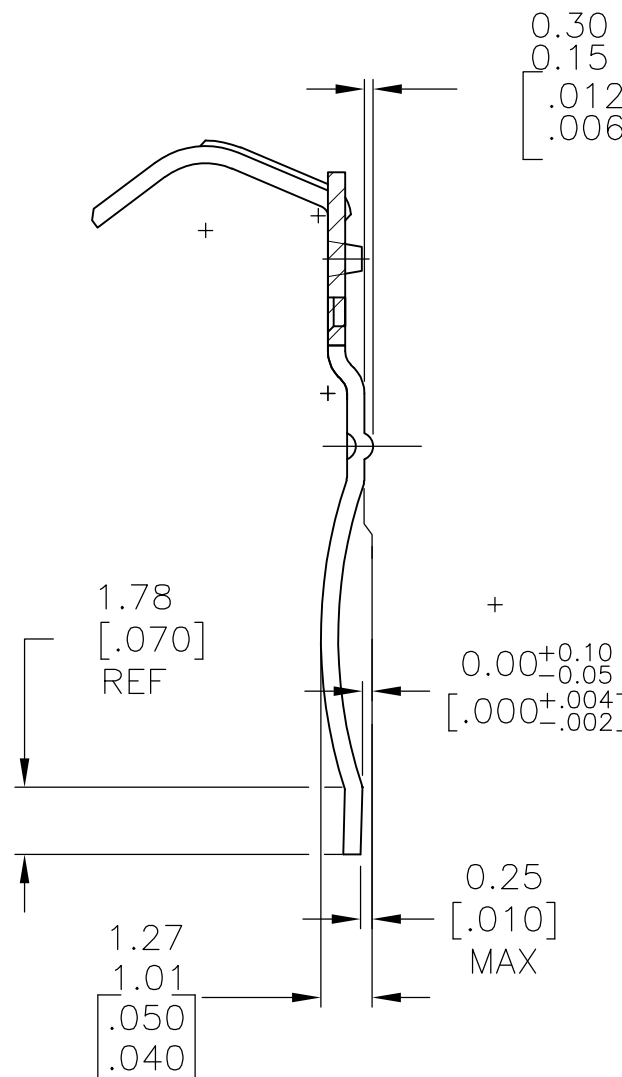
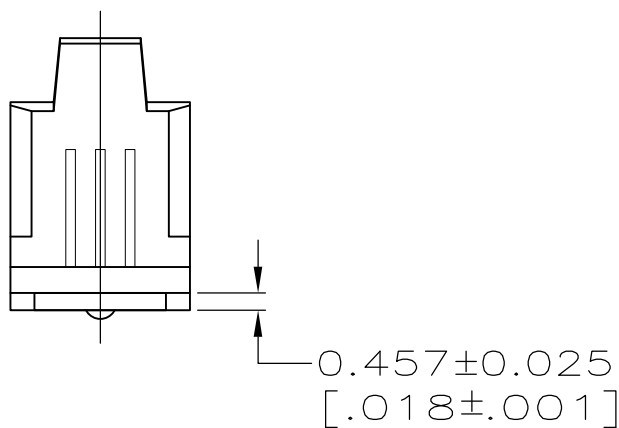
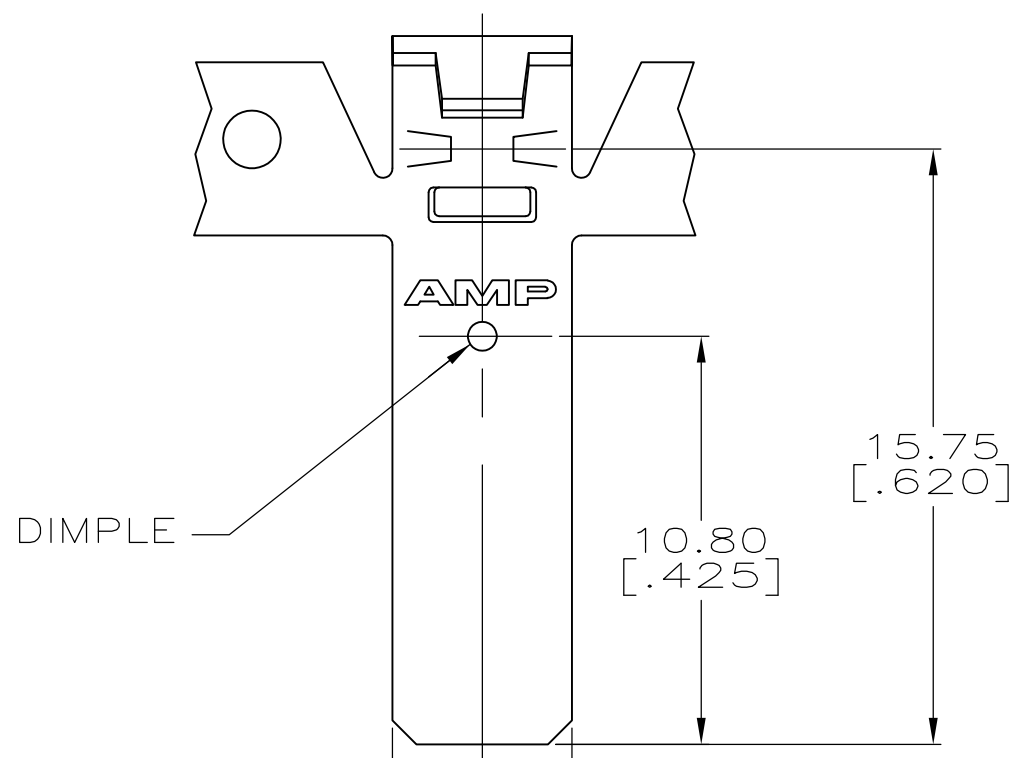


THIS DRAWING IS UNPUBLISHED. RELEASED FOR PUBLICATION
 © COPYRIGHT BY TYCO ELECTRONICS CORPORATION. ALL RIGHTS RESERVED.

LOC	DIST	REVISIONS					
AF	50	P	LTR	DESCRIPTION	DATE	DWN	APVD
			D2	REVISED PER ECR-07-029763	04JAN08	HMR	GP



- 1 PRODUCT PROVIDED IN STRIP FORM ON SPLICE FREE REELS.
- 2 0.00381 [.000150] MIN SILVER PLATE.
- 3 0.00508-0.01016 [.0002-.0004] SILVER PLATE.
- 4 PRELIMINARY - NOT FOR PRODUCTION.

LOOSE PIECE	3	#20 - #14 AWG	4	62008-6
1	3	#20 - #14 AWG	4	62008-5
LOOSE PIECE	-	#20 - #14 AWG	4	62008-4
1	2	#20 - #14 AWG		62008-2
1	-	#20 - #14 AWG		62008-1
STYLE	FINISH	WIRE RANGE	PART NUMBER	

THIS DRAWING IS A CONTROLLED DOCUMENT.		DWN	29JAN1999	Tyco Electronics Corporation	
		CHK	29JAN1999	Harrisburg, PA 17105-3608	
		APVD	29JAN1999	NAME	
		PRODUCT SPEC		BRUSH CONTACT, TAB-LOCK	
		APPLICATION SPEC		RIGHT HAND	
		WEIGHT	-	SIZE	RESTRICTED TO
MATERIAL		FINISH		CAGE CODE	DRAWING NO
T3 PHOS BRONZE		SEE TABLE		A300779	C-62008
CUSTOMER DRAWING				SCALE	SHEET
				5:1	1 OF 1
				REV	D2