

THIS DRAWING IS UNPUBLISHED.

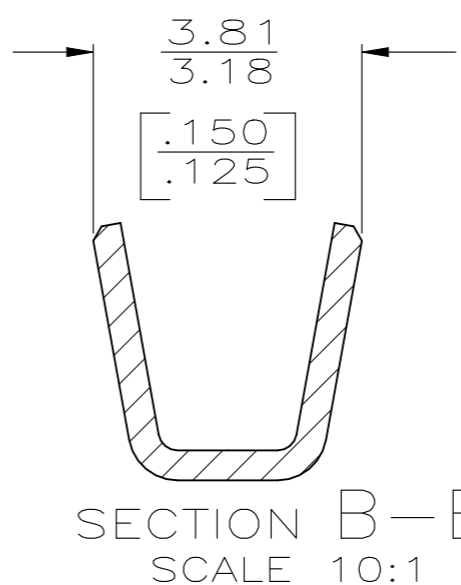
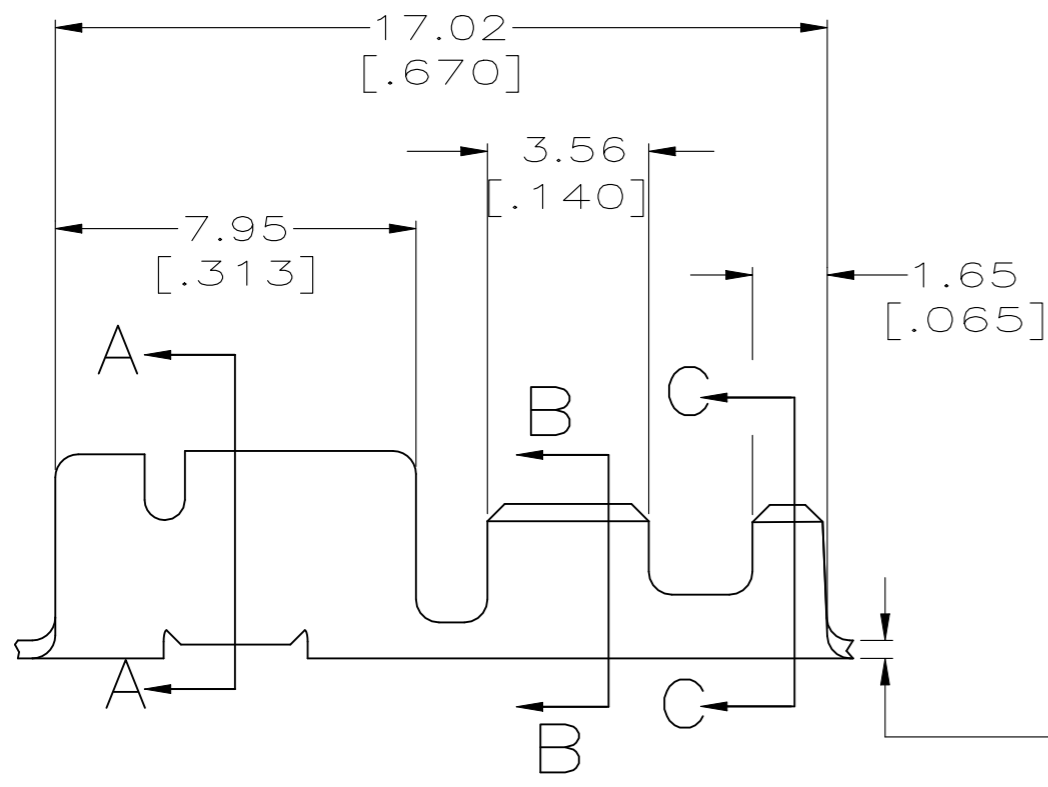
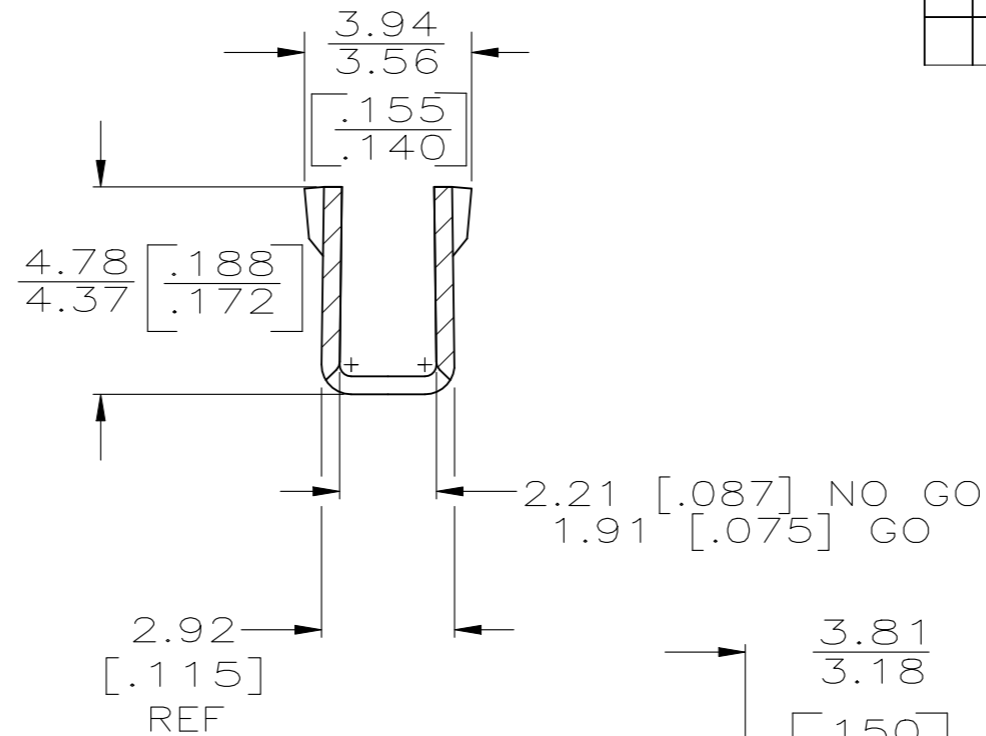
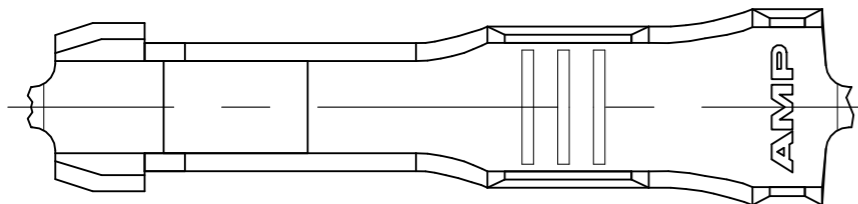
RELEASED FOR PUBLICATION

ALL RIGHTS RESERVED.

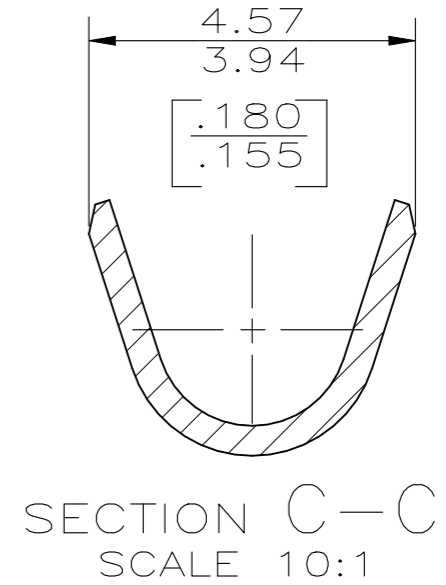
© COPYRIGHT - By -

REVISIONS

P	LTR	DESCRIPTION	DATE	DWN	APVD
	AC	62131-9 PART ADDED	22FEB2021	MB	TD



- 1 CONTINUOUS STRIP ON REEL.
- 2 WIRE SIZE IS 0.82-1.31MM² [#18-#16 AWG].
- 3 INSULATION RANGE IS 1.50-2.62 [.059-.103] DIA.
- △4 ADDITIONAL PERFORMANCE REQUIREMENTS APPLY. CONSULT TE PRODUCT ENGINEERING FOR SPECIFICS.
- △5 OBSOLETE PARTS: OBSOLETE CIS STREAMLINING PER D.RENAUD/D.SINISI
- △6 QTY/REEL : 8500 PCS
- △7 QTY/REEL : 17000 PCS



△5 OBSOLETE

MATERIAL	FINISH	PART NO
H03 TIN-BRASS.	POST TIN PLATED	△7 62131-9
H03 TIN-BRASS.	POST TIN PLATED	△6 6-62131-3
H03 TIN-BRASS.	-	△6 62131-8
COPPER ALLOY	POST TIN PLATED	△4 62131-7
H03 PHOS BRONZE	POST TIN PLATED	△4 △7 62131-6
H03 TIN-BRASS.	-	△7 62131-5
H03 TIN-BRASS.	POST TIN PLATED	△7 62131-3

THIS DRAWING IS A CONTROLLED DOCUMENT.

DIMENSIONS: mm [INCHES]	TOLERANCES UNLESS OTHERWISE SPECIFIED:
	0 PLC ± -
	1 PLC ± -
	2 PLC ± 0.25 [.010]
	3 PLC ± -
	4 PLC ± -
	ANGLES ± -
MATERIAL SEE TABLE	FINISH SEE TABLE

DWN PHILLIP M FORTNEY 20/JAN/95
CHK JEFF R RUTH 20/JAN/95
APVD R KUZO 20JAN95
PRODUCT SPEC 108-2008
APPLICATION SPEC 114-2019
WEIGHT -

STE TE Connectivity

RECEPTACLE, CLUSTER PIN,
2.29 [.090] DIA

SIZE	CAGE CODE	DRAWING NO	RESTRICTED TO
A3	00779	C-62131	-

CUSTOMER DRAWING SCALE 4:1 SHEET 1 OF 1 REV AC