

4

3

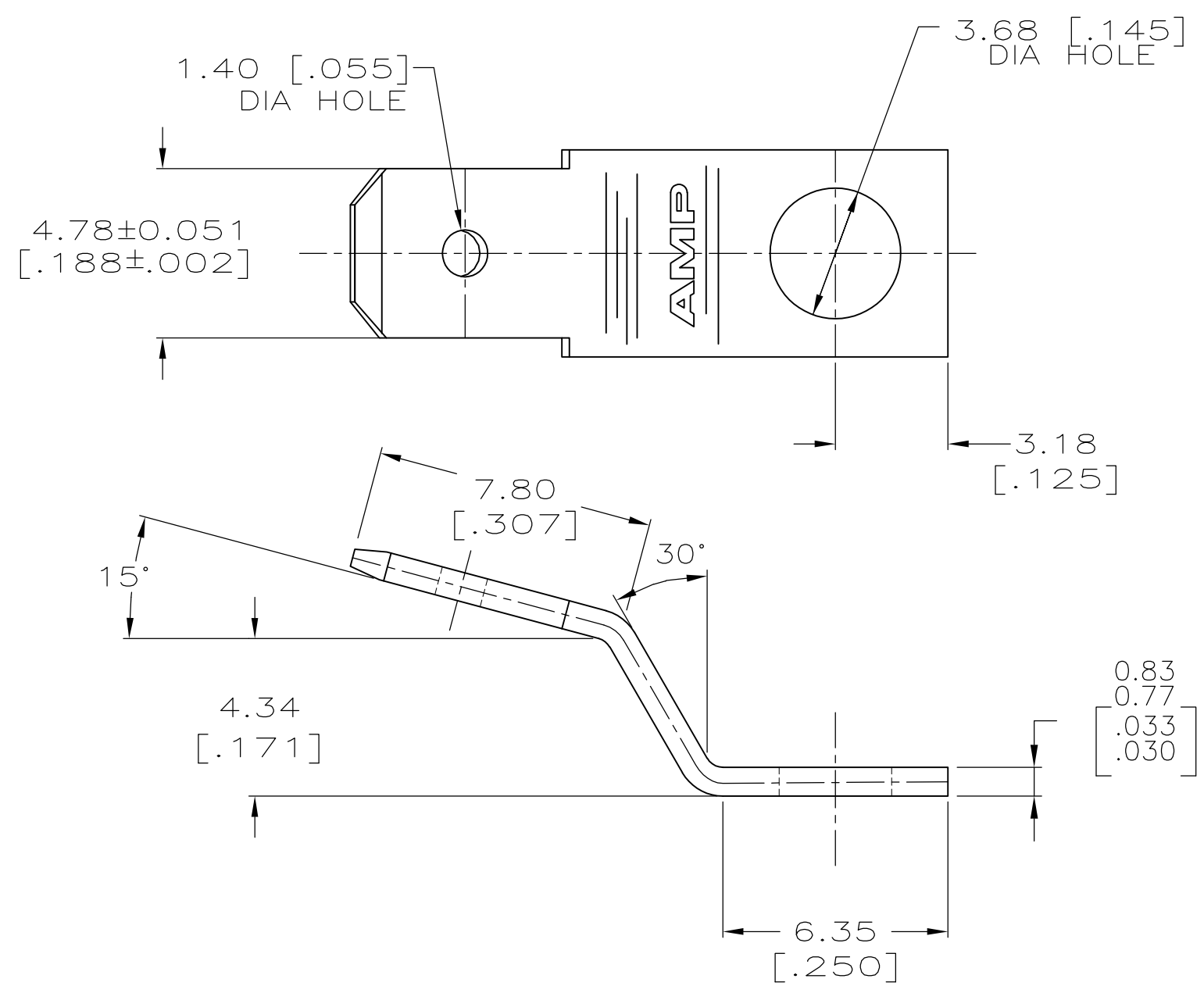
2

1


THIS DRAWING IS UNPUBLISHED. RELEASED FOR PUBLICATION
 © COPYRIGHT - By - ALL RIGHTS RESERVED.

LOC	DIST	REVISIONS			
P	LTR	DESCRIPTION	DATE	DWN	APVD
AF	50	G	REVISED PER ECR-13-011489	04DEC2013	KH PD

1 SUPPLIED IN LOOSE PIECE.



62162-1
 PART NO.

THIS DRAWING IS A CONTROLLED DOCUMENT.		DWN	JR RUTH	3/9/98	 TE Connectivity
DIMENSIONS: mm [INCHES]		CHK	MS FEHER	3/9/98	
TOLERANCES UNLESS OTHERWISE SPECIFIED:		APVD	J WORMAN	3/9/98	
0 PLC ± - 1 PLC ± - 2 PLC ± 0.38 [.015] 3 PLC ± - 4 PLC ± - ANGLES ± -		PRODUCT SPEC		NAME	
MATERIAL		APPLICATION SPEC		TAB, FASTON, 4.75 [.187] SERIES	
BRASS		FINISH		TIN OVER COPPER	
		WEIGHT	-		RESTRICTED TO
		CUSTOMER DRAWING		SCALE	6:1
		SIZE	A3	CAGE CODE	00779
		DRAWING NO	C-62162		SHEET
				1 OF 1	REV
				G	