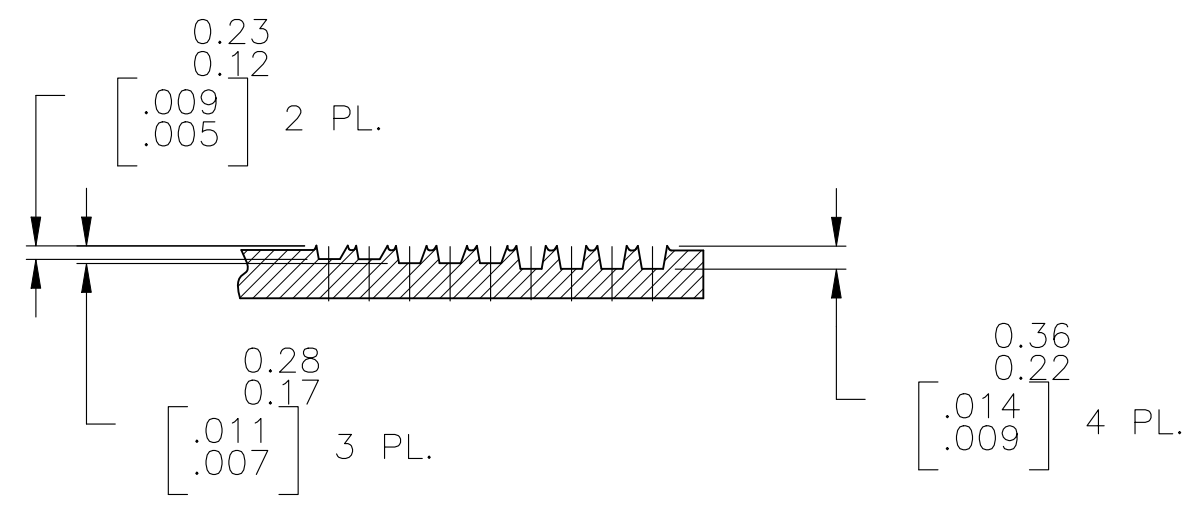
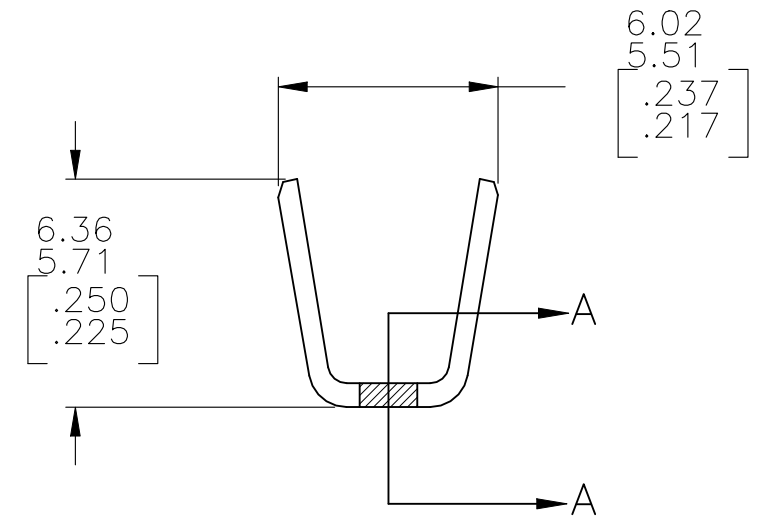
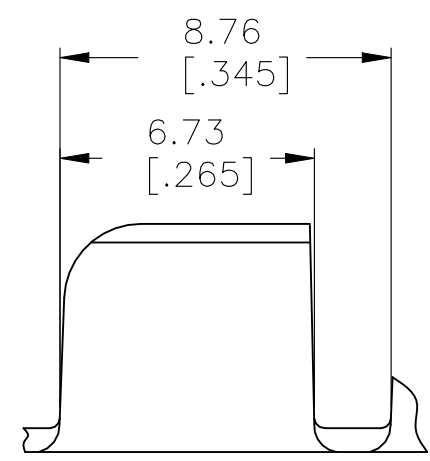
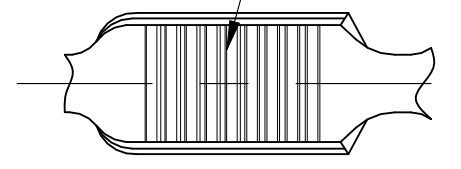


THIS DRAWING IS UNPUBLISHED. RELEASED FOR PUBLICATION
 © COPYRIGHT - By - ALL RIGHTS RESERVED.

LOC	DIST	REVISIONS			
P	LTR	DESCRIPTION	DATE	DWN	APVD
AF	50	F6	ECR-23-180891	13NOV2023	PC TD

9 AMPLIVAR SERRATIONS



SECTION A-A
SCALE : 10:1

- PRODUCT PROVIDED IN STRIP FORM ON REELS; BREAKS MAY BE PRESENT.
 - DIMENSIONS IN BRACKETS ARE IN INCHES.
 - CRIMP WIDTH: .180 F
 CRIMP HEIGHT (±.002)=(TOTAL CMA+23,000)/312,500
 CRIMP WIDTH: .220 F
 CRIMP HEIGHT (±.002)=(TOTAL CMA+25,000)/375,000
 GENERAL APPLICATION GUIDELINES MUST BE FOLLOWED AS SPECIFIED IN CATALOG #82221
 FOR APPLICATOR INFORMATION CALL : 1-800-722-1111
 FOR PRODUCT INFORMATION CALL : 1-800-522-6752
 - WIRE RANGE 7000-14000 CMA.
 FLAT WIRE SIZE: 1.5X2.0mm+14 AWG (Lead Wire),
 1.0X3.0mm+14 AWG (Lead Wire)
- ⚠️ SPLICE FREE VERSION
 ⚠️ PRELIMINARY NOT FOR PRODUCTION

OBSOLETE	STANDARD	62310-4
	REVERSE	62310-3
	STANDARD	62310-2
	REELING	PART NO

THIS DRAWING IS A CONTROLLED DOCUMENT.		DWN RAGHAVENDRA 31JAN06	STE TE Connectivity	
DIMENSIONS: mm [INCHES]		CHK G.D.PORTA		
TOLERANCES UNLESS OTHERWISE SPECIFIED:		APVD G.D.PORTA	NAME	
0 PLC ± -		PRODUCT SPEC	SPLICE, AMPLIVAR	
1 PLC ± -		APPLICATION SPEC	7000-14000 CMA	
2 PLC ± 0.38[.015]		114-2003	SIZE	CAGE CODE
3 PLC ± -		WEIGHT -	A3	00779
4 PLC ± -		CUSTOMER DRAWING	DRAWING NO	C-62310
ANGLES ± 1°		SCALE 5:1	SHEET 1 OF 1	REV F6
FINISH TIN PL.		RESTRICTED TO -		
MATERIAL REF 0.64±0.03 [.025±.001] BRASS				