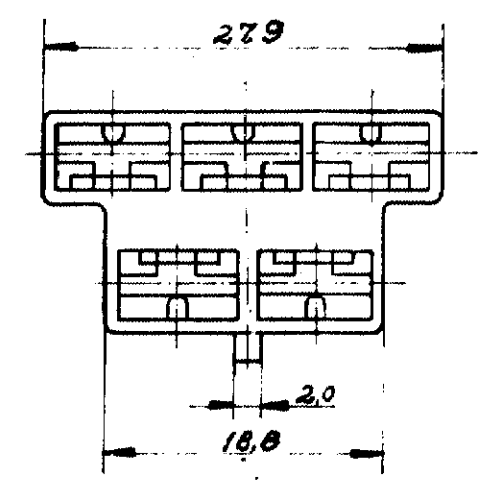
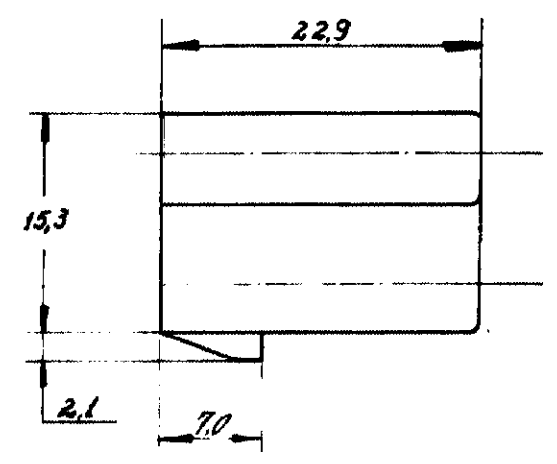
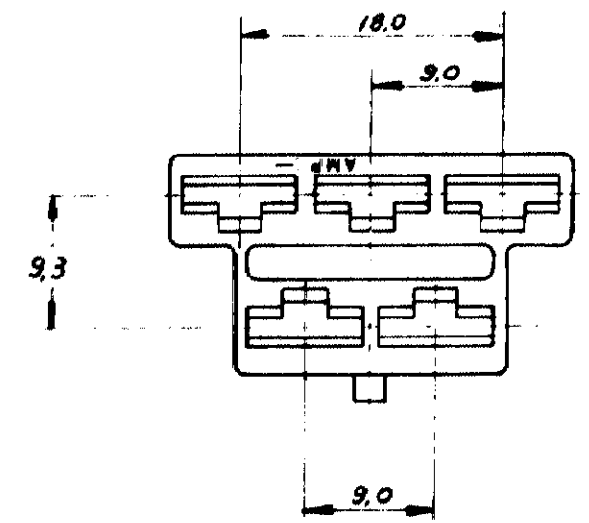



Copyright 1981 by AMP DO BRASIL - S. P. All International Rights Reserved  
 AMP Incorporated products covered by U. S. and Foreign patents and/or patents pending

REVISIONS						
P	F	ZONE	LTR	DESCRIPTION	DATE	APPROVED
		0		ERA P80-29113		
		A		REVISADO	6/10/81	<i>de</i>
		B		DIM. 27,9 para 27,6 - DIM. 18,8 para 18,5	10/18/81	<i>de</i>
		C		REVISADO	26/06/83	<i>de</i>
		C1		REV. BY EC018-006305	23APR18	WLS



ESP. DE PAREDE 0,8

		NATURAL	NYLON 6/6	626535-1
		COR	MATERIAL	PART NO
UNLESS OTHERWISE SPECIFIED DIMENSIONS ARE IN MM TOLERANCES ON: DECIMALS ±0.2 ANGLES ±1°		CONTRACT NO DE <i>Posato</i> 17/2/81 CHK <i>W. Moreira 30/3/81</i>		 AMP DO BRASIL Pa. Inc. Ind.
MATERIAL VER TABELA	APPD APPD	NAME 5 WAY FASTIN-ON RECEPT HOUSING 250 SER.		
FINISH VER TABELA	DSGN APPD OTHER APPD	SIZE <b>B</b>	LOC AP. AP.	DRAWING NO <b>626535</b>
		SCALE 2:1	SHEET	REV C1

CUSTOMER DRAWING