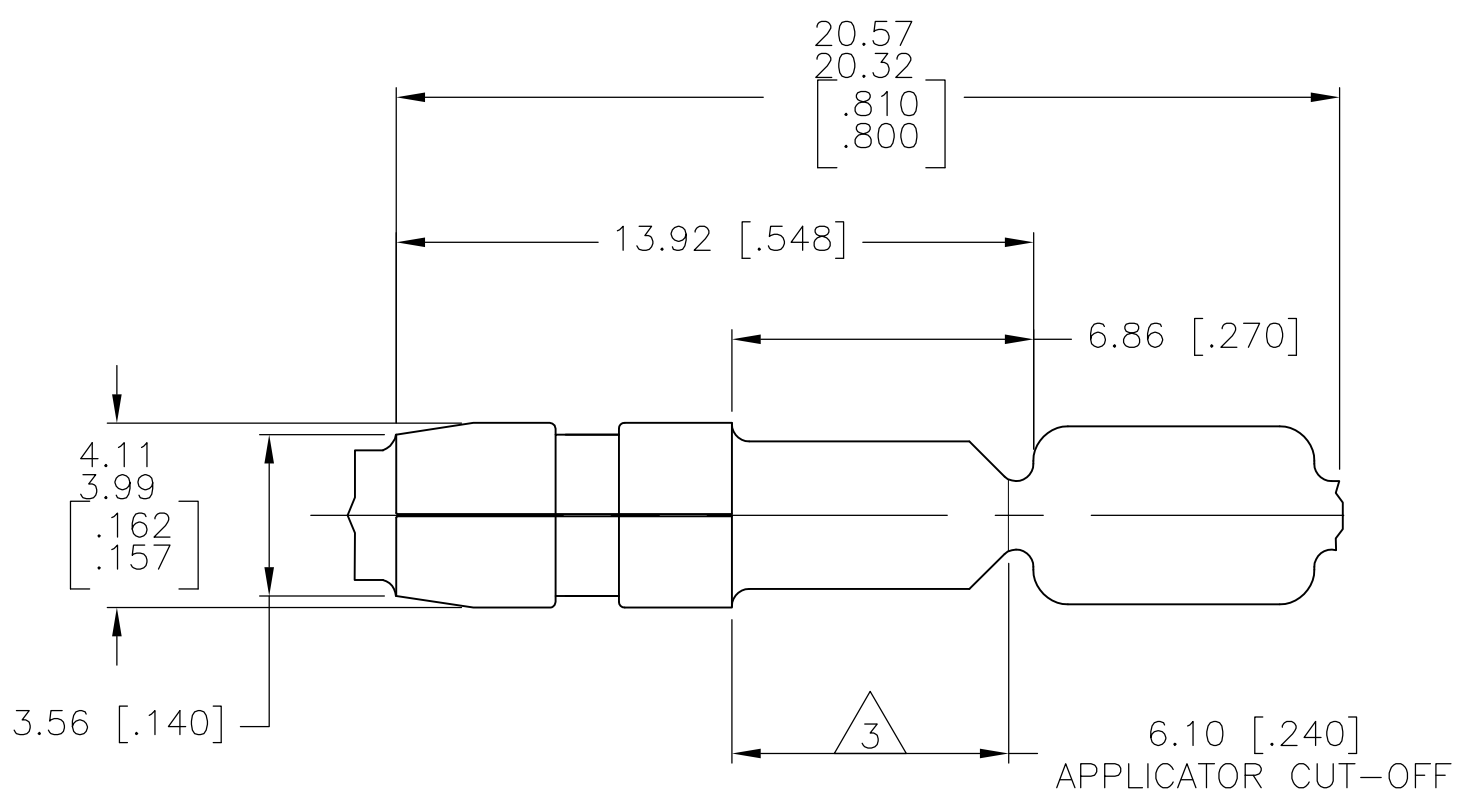
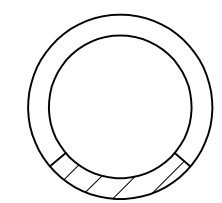
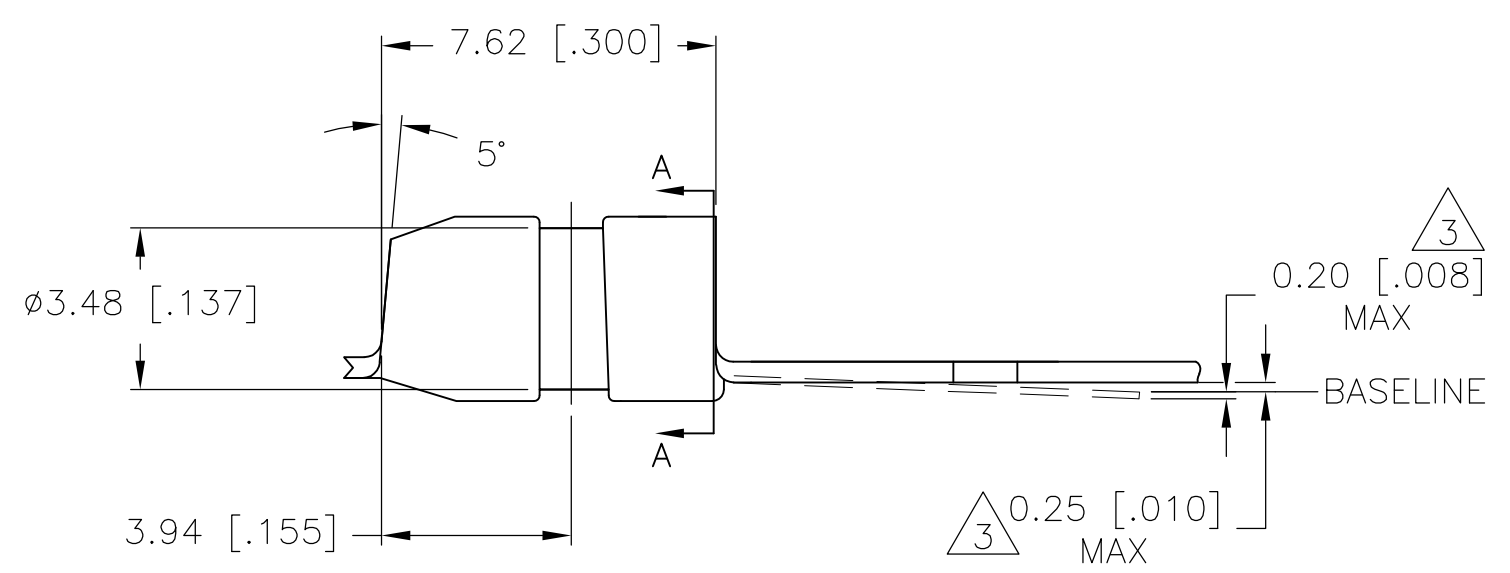


THIS DRAWING IS UNPUBLISHED. RELEASED FOR PUBLICATION
 © COPYRIGHT BY TYCO ELECTRONICS CORPORATION. ALL RIGHTS RESERVED.

LOC	DIST	REVISIONS					
AF	50	P	LTR	DESCRIPTION	DATE	DWN	APVD
			H1	REVISED PER ECR-07-012344	05JUN07	HMR	DD



- 1 DIMENSIONS IN BRACKETS ARE IN INCHES
- 2 CONTINUOUS STRIP ON REELS
- 3 0.25 [.010] MAX DIM ABOVE BASELINE,
0.20 [.008] MAX DIM BELOW BASELINE,
TO BE HELD OVER 6.10 [.240] APPLICATOR CUT-OFF.
- 4 REELED WITH PAPER
- 5 PRELIMINARY NOT FOR PRODUCTION.



4	PRE-TIN	0.46 [.018] BRASS	62829-3
	-	0.46 [.018] NI-SILVER(65-18)	5 62829-2
	PRE-TIN	0.46 [.018] BRASS	62829-1
	FINISH	MATERIAL	PART NO

THIS DRAWING IS A CONTROLLED DOCUMENT.		DWN RAGHAVENDRA 05JUN07	Tyco Electronics Corporation Harrisburg, Pa 17105-3608	
DIMENSIONS: mm [INCHES]		CHK D DECKER 05JUN07	APVD D DECKER 05JUN07	
TOLERANCES UNLESS OTHERWISE SPECIFIED:		NAME		
0 PLC ± -		PRODUCT SPEC		
1 PLC ± -		APPLICATION SPEC		
2 PLC ± -		SIZE CAGE CODE DRAWING NO RESTRICTED TO		
3 PLC ± 0.38 [.015]		A3 00779 C-62829		
4 PLC ± -		SCALE 6:1 SHEET 1 OF 1 REV H1		
ANGLES ± -		CUSTOMER DRAWING		
MATERIAL SEE TABLE		FINISH SEE TABLE		