

THIS DRAWING IS UNPUBLISHED.

RELEASED FOR PUBLICATION

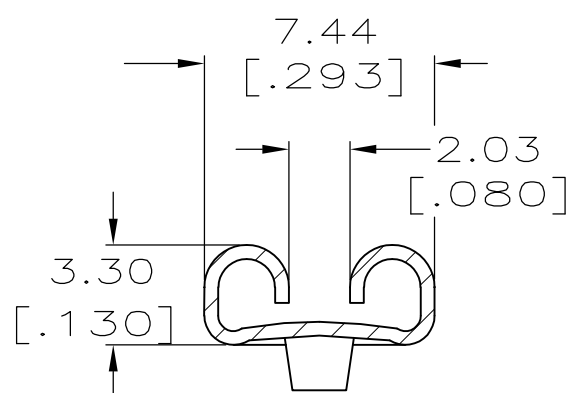
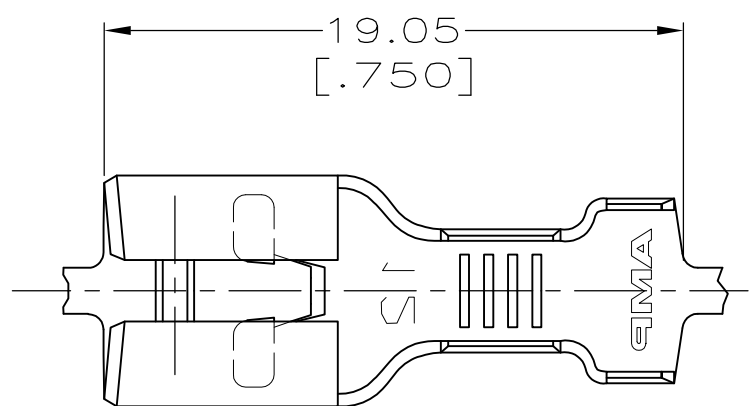
ALL RIGHTS RESERVED.

© COPYRIGHT - By -

LOC AF DIST 50

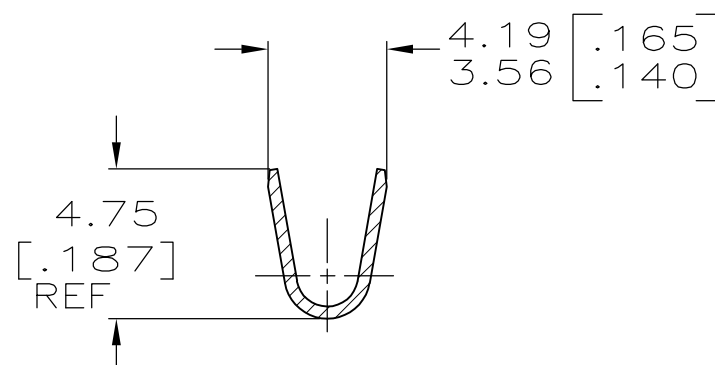
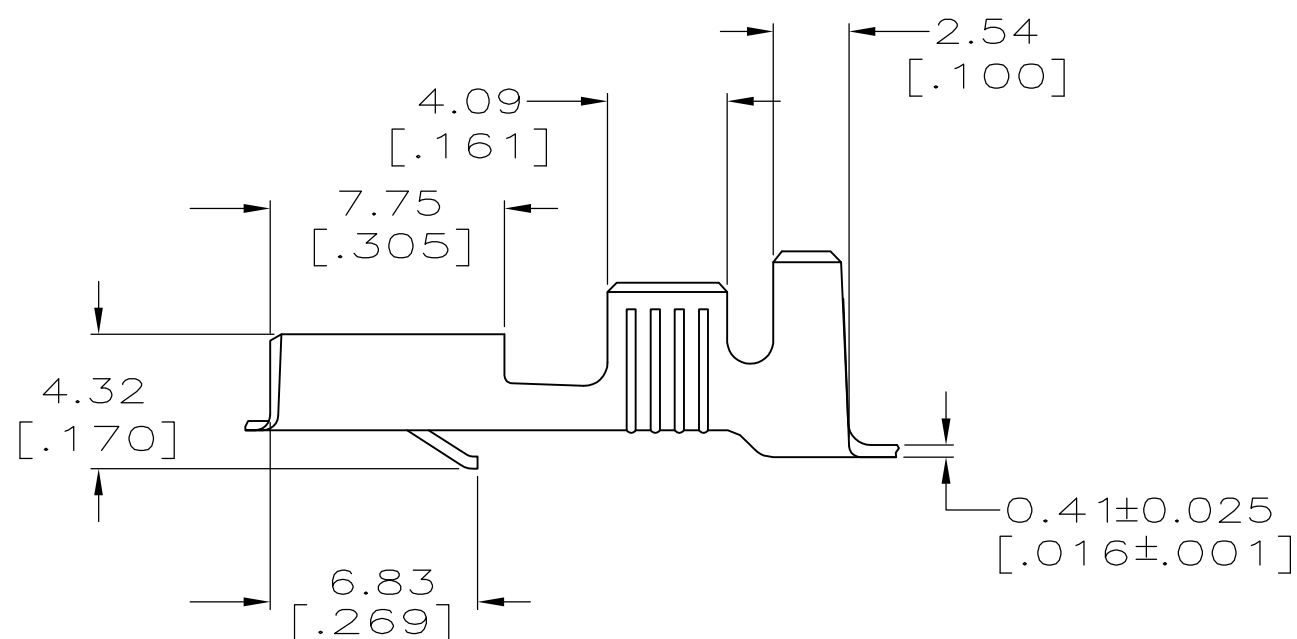
REVISIONS

P	LTR	DESCRIPTION	DATE	DWN	APVD
D		REVISED PER ECR-13-005733	27AUG2013	KH	PD

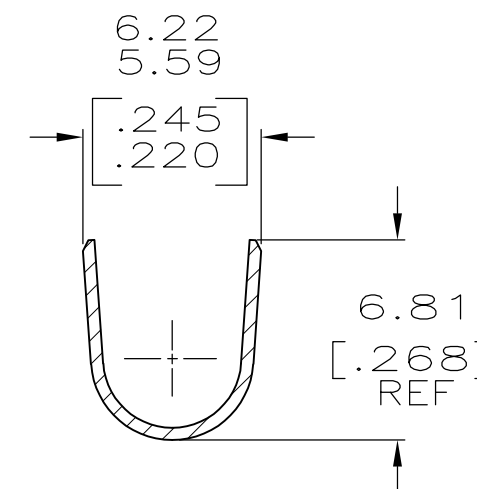


SECTION A-A

- 1 CONTINUOUS STRIP ON REELS.
- 2 WIRE SIZES [#16-#12] AWG.
- 3 INSULATION DIA IS 3.81-4.83 [.150-.190] DIA.
- 4 MATING TAB THK IS 0.81±0.025 [.032±.001].




SECTION B-B



SECTION C-C

62891-1  
PART NO.

THIS DRAWING IS A CONTROLLED DOCUMENT.		DWN JR RUTH 1/29/98	 <b>TE Connectivity</b> RECEPTACLE, FASTIN-FASTON, 6.35 [.250] SERIES					
DIMENSIONS: mm [INCHES]		CHK P FORTNEY 1/29/98				NAME	SIZE	CAGE CODE
TOLERANCES UNLESS OTHERWISE SPECIFIED:		APVD J GILLESPIE 1/29/98				PRODUCT SPEC	DRAWING NO	RESTRICTED TO
0 PLC ± - 1 PLC ± - 2 PLC ± 0.38 [.015] 3 PLC ± - 4 PLC ± - ANGLES ± -		APPLICATION SPEC				WEIGHT	A300779	C-62891
MATERIAL BRASS		FINISH TIN	CUSTOMER DRAWING					
			SCALE 4:1	SHEET 1 OF 1	REV D			