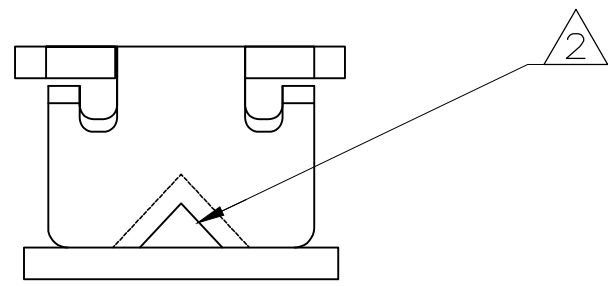
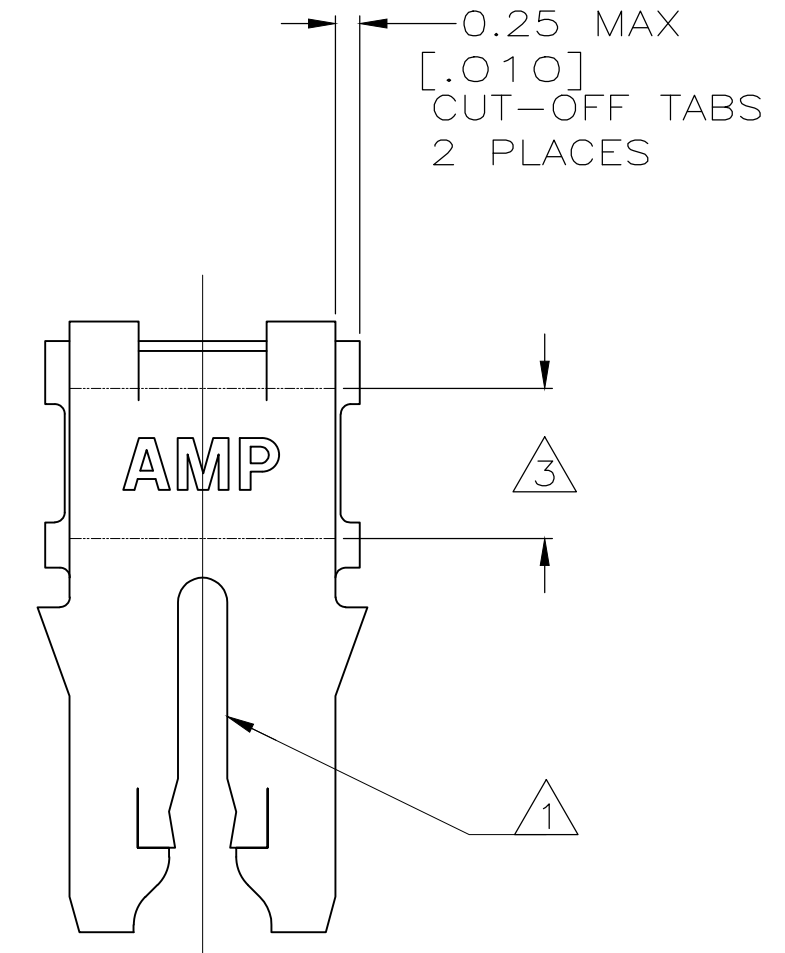
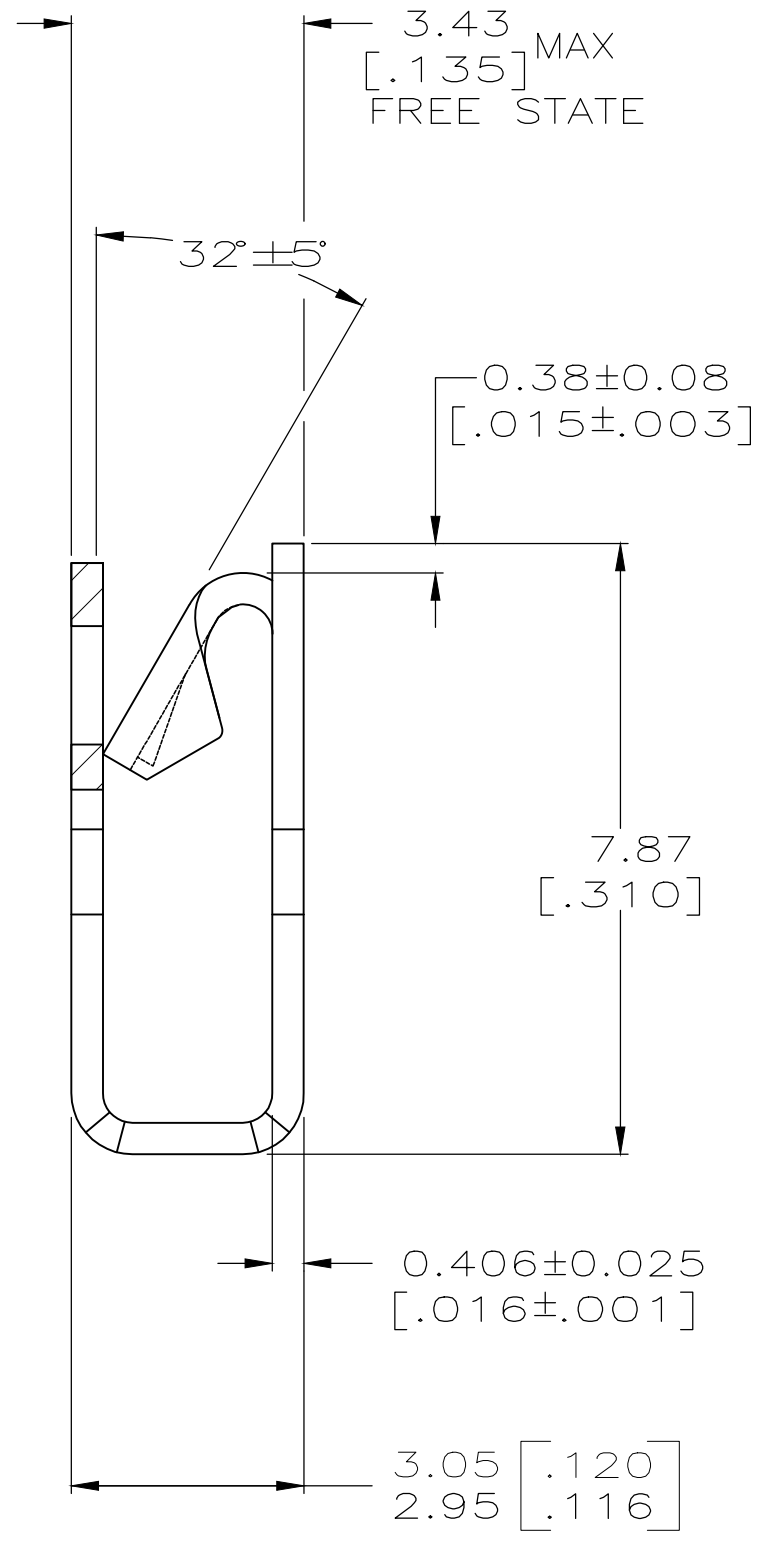
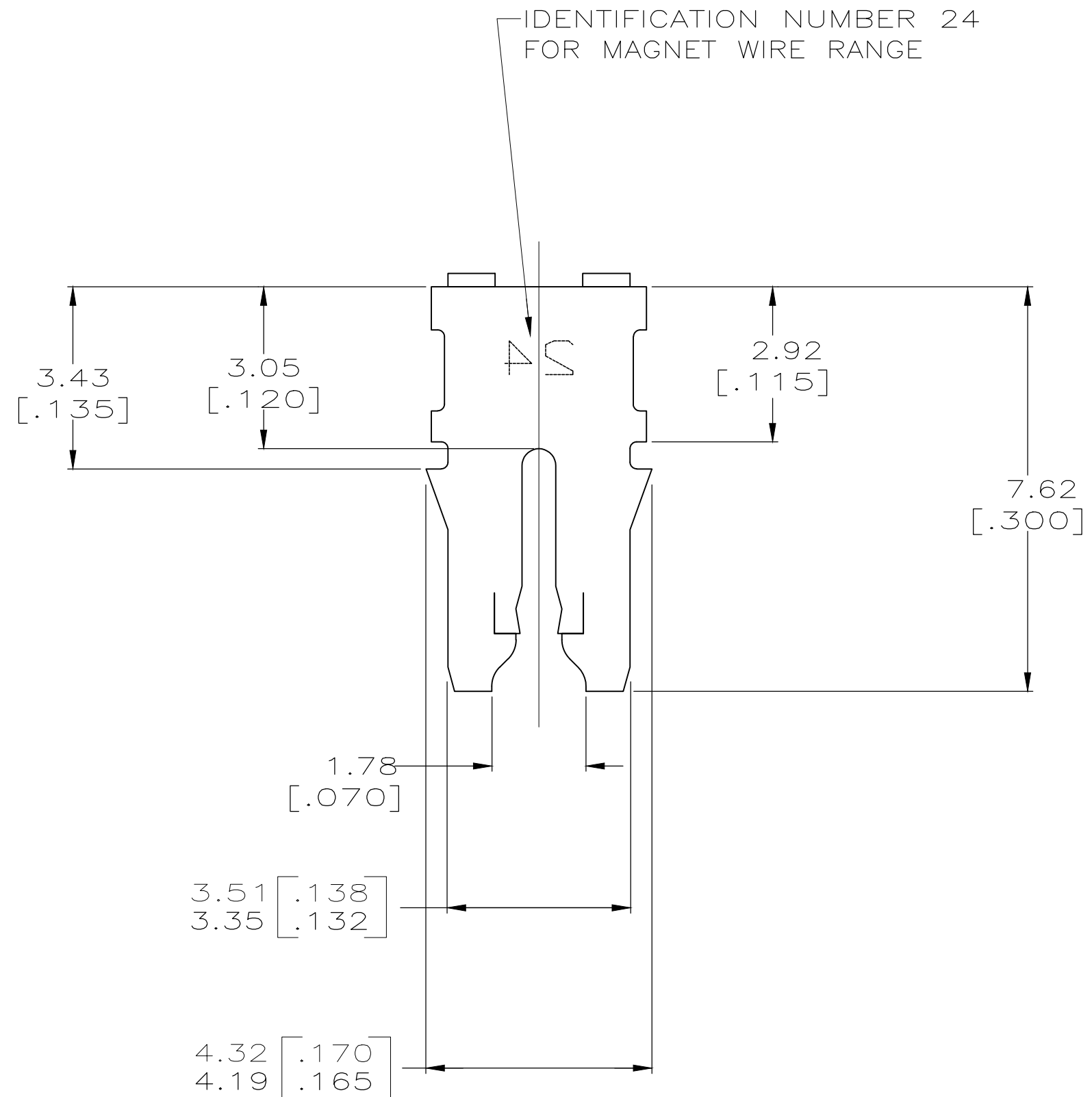


THIS DRAWING IS UNPUBLISHED. RELEASED FOR PUBLICATION
 © COPYRIGHT - By - ALL RIGHTS RESERVED.

LOC	DIST	REVISIONS			
P	LTR	DESCRIPTION	DATE	DWN	APVD
AF	50	B	WIRE SIZE EXTENDED TO 16.5AWG	11NOV2019	JA PKS



- ① SLOT ACCEPTS 0.91–1.20mm [#19–#16.5] AWG COPPER MAGNET WIRE.
 SLOT ACCEPTS 0.95–1.20mm [#18.5–#16.5] AWG ALUMINUM MAGNET WIRE.
 ALUMINUM WIRE RANGE APPLIES FOR POST-TIN PLATED VERSIONS ONLY. A SINGLE WIRE ONLY.
- ② POKE-IN ACCEPTS A 0.50–0.90mm² [#20–#18] AWG SOLID OR FUSED STRANDED LEAD WIRE.
- ③ ORANGE COLOR STRIPE TO BE APPLIED TO THIS SURFACE DURING LOOSE PIECE OPERATIONS TO PROVIDE COLOR CODING OF MAGNET WIRE RANGE.



62912-1
 PART NUMBER

THIS DRAWING IS A CONTROLLED DOCUMENT.		DWN 17JUL2000 MICHAEL S. FEHER	STE TE Connectivity	
DIMENSIONS: INCHES		CHK 17JUL2000 KURT A. RANDOLPH		
TOLERANCES UNLESS OTHERWISE SPECIFIED:		APVD 17JUL2000 KURT A. RANDOLPH	NAME	
0 PLC ± -		PRODUCT SPEC	108-2012	
1 PLC ± -		APPLICATION SPEC	114-2046	
2 PLC ± 0.25[.010]		WEIGHT	-	
3 PLC ± -		MATERIAL	BRASS	
4 PLC ± -		FINISH	TIN PLATED	
ANGLES ± -		CUSTOMER DRAWING		
FINISH		SCALE	10:1	
MATERIAL		SHEET	1 of 1	
FINISH		REV	B	