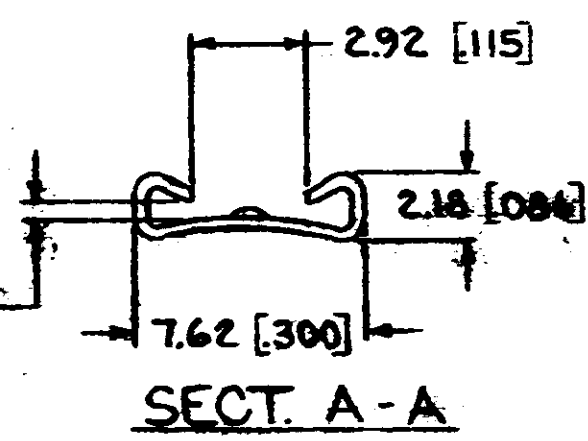
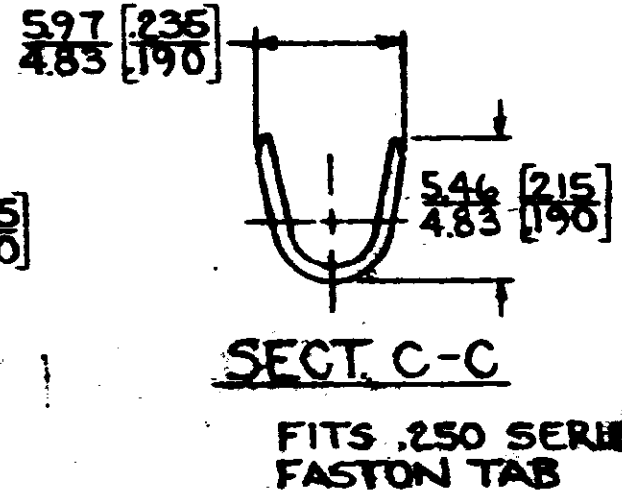
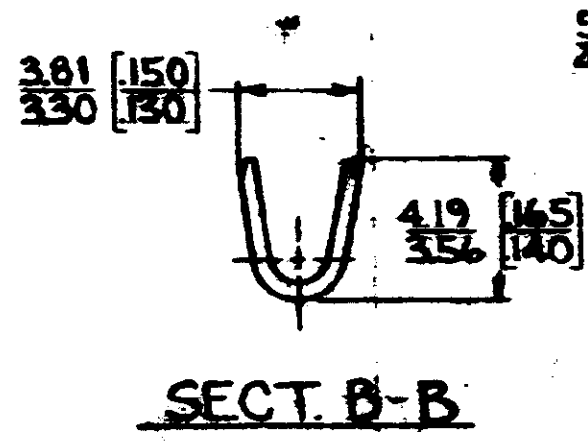
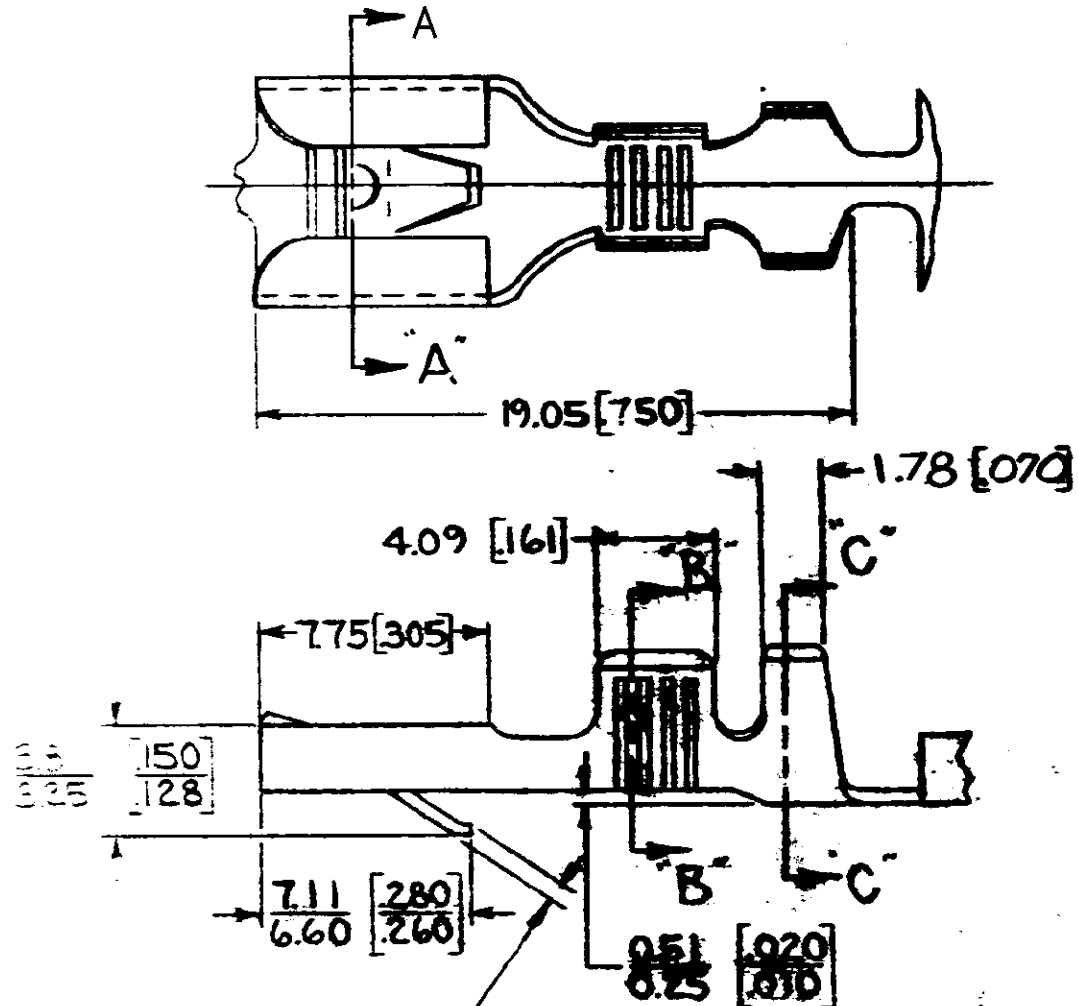


THIS DRAWING IS UNPUBLISHED. RELEASED FOR PUBLICATION . 19
 COPYRIGHT 1981 BY AMP INCORPORATED, HARRISBURG, PA. ALL INTERNATIONAL RIGHTS RESERVED. AMP PRODUCTS MAY BE COVERED BY U.S. AND FOREIGN PATENTS AND/OR PATENTS PENDING.

REVISIONS						
P	F	ZONE	LTR	DESCRIPTION	DATE	APPROVED
			B	REVISED PER ECR-13-005733	30AUG13	PD



0.04 [025] MAX. ALLOWED IN DIRECTION OF CONTACT ONLY.

NOTE:
 CONTINUOUS STRIP ON REELS.
 DIMS. IN BRACKETS ARE IN INCHES.

FIN				63418-2
NONE	0.81 ^{+0.05} [032 ^{+0.001}]	08-20 ^{AWG} [18-14] OR (2) 0.8 ^{mm} [16]	2.29-4.45 [090-.175] OR 2.5 [100]	63418-1
FINISH	TAB THK.	WIRE RANGE	INSULATION RANGE	PART NO.

UNLESS OTHERWISE SPECIFIED DIMENSIONS ARE IN MILLIMETERS. TOLERANCES ON: DECIMALS ±0.30 [015] ANGLES ±	CONTRACT NO	TE Connectivity	
	DP <i>JRP</i> 1-15-86 CHK <i>G. Yeter</i> 1/20/86		
	MATERIAL	NAME .250 SERIES FASTON FASTON RECEPTACLE	
	BRASS FINISH SEE TABLE	APPD <i>C. Meyer</i> 1-20-86 APPD <i>G. Kudo</i> 1-20-86 OTHER APPD	SIZE B
		DRAWING NO 63418	SHEET <i>1 of 1</i>
		SCALE <i>NTS</i>	

CUSTOMER DRAWING