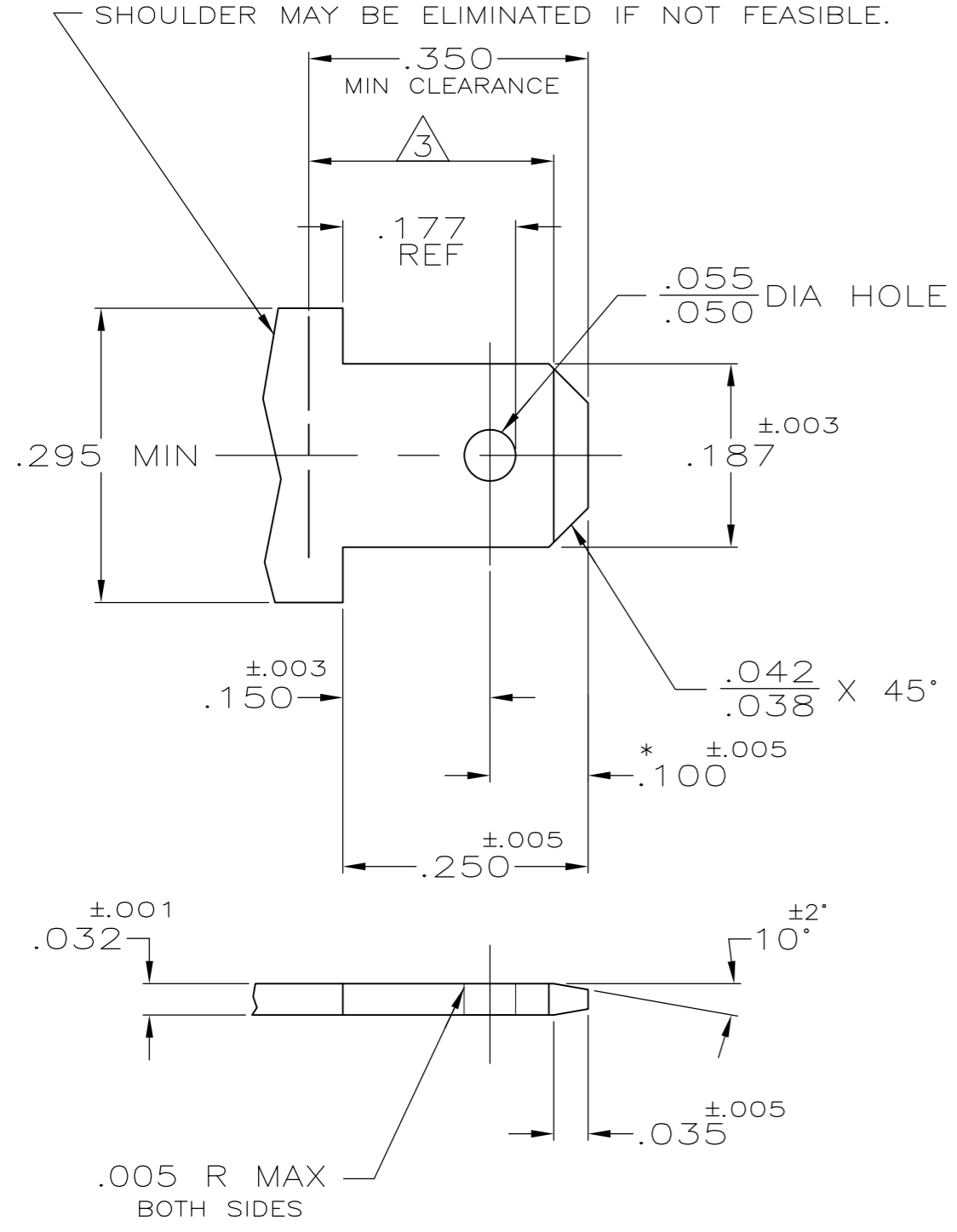


THIS DRAWING IS UNPUBLISHED. RELEASED FOR PUBLICATION
 © COPYRIGHT - By - ALL RIGHTS RESERVED.

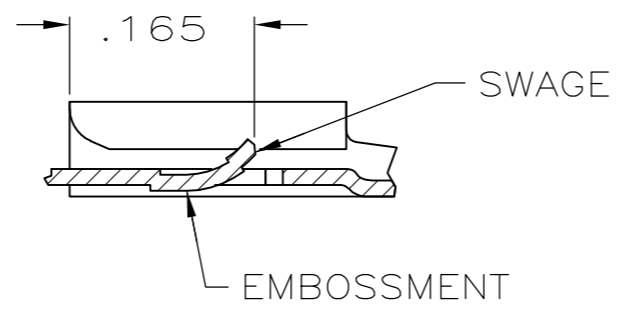
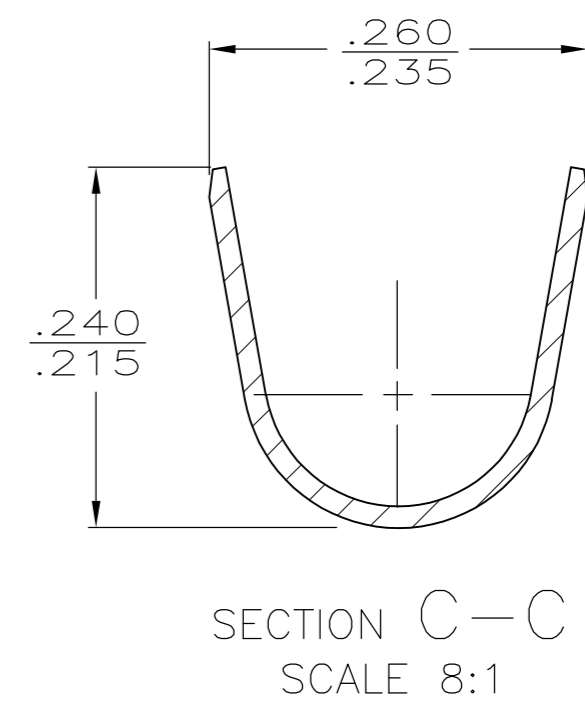
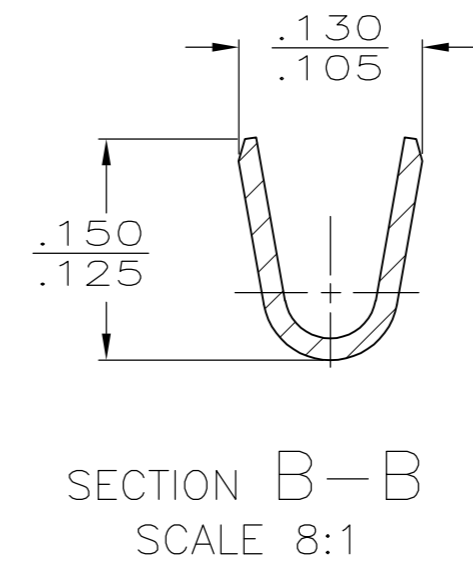
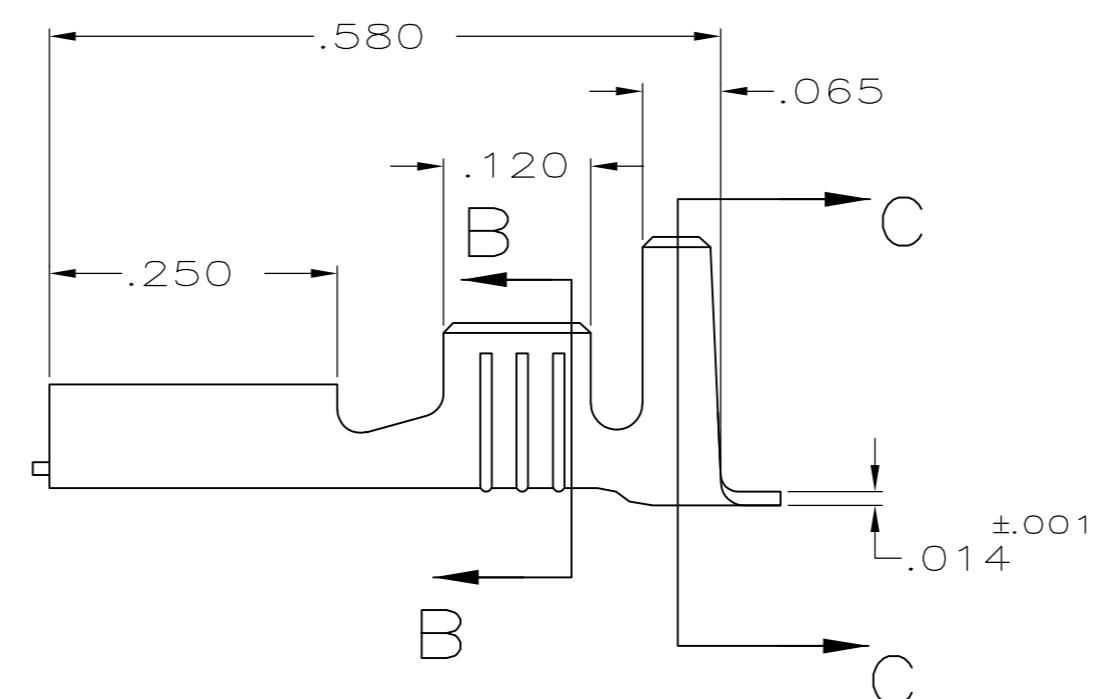
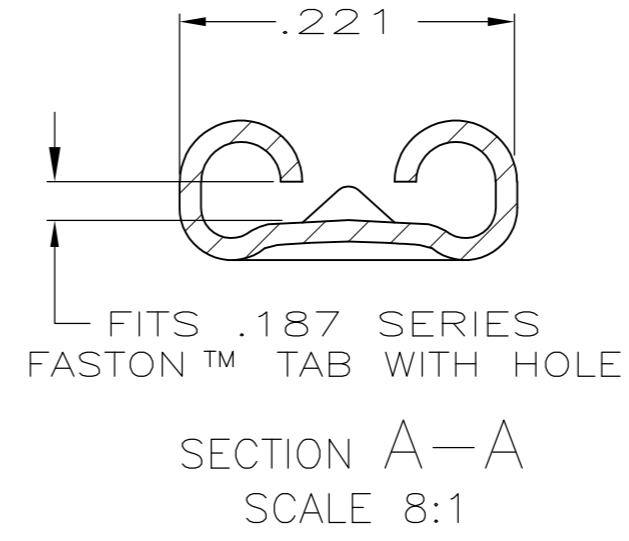
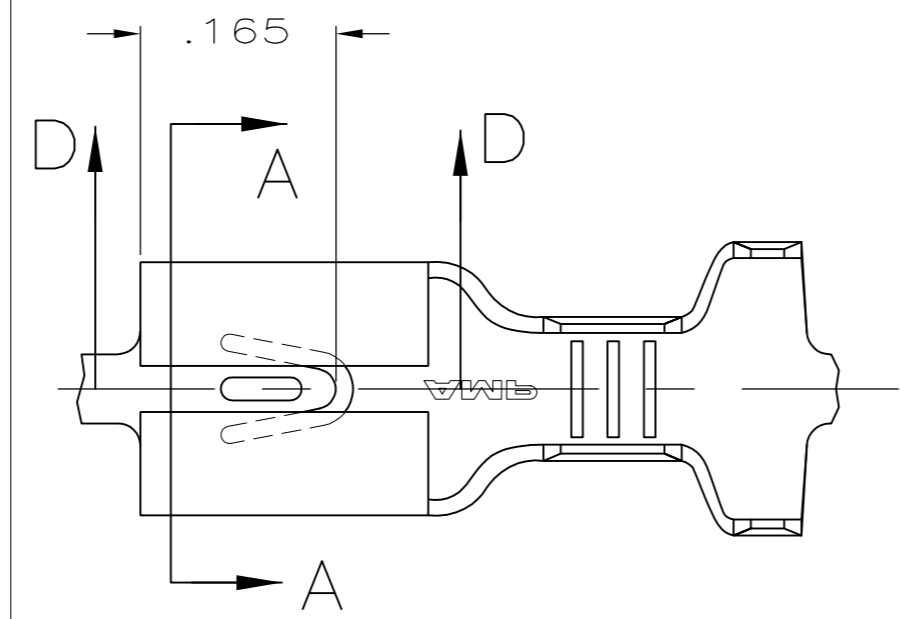
LOC		DIST		REVISIONS			
P	LTR	DESCRIPTION		DATE	DWN	APVD	
AF	50	F	REVISED PER ECR-12-002864	24MAY12	KH	PD	

SUGGESTED MATING TAB



- MATL: 1/2H BRASS OR NICKEL PL STEEL.
 - NO BURRS PERMISSIBLE AT HOLE.
 - MUST BE FLAT WITHIN .003 OVER THIS LENGTH.
 - HOLE MUST BE SYMMETRICAL ABOUT TAB ϕ WITHIN 0.076 [.003]
- * TO BE USED ONLY WHEN SHOULDER IS ELIMINATED.

1 CONTINUOUS STRIP ON REELS



TYPE	WIDTH	STRIP LENGTH ±.015	TYPE	WIDTH	±.002 HEIGHT	WIRE
F	.180	.188	F	.090	.077	14
					.066	16
					.059	18
INSUL BARREL CRIMP			WIRE BARREL CRIMP			

THIS DRAWING IS A CONTROLLED DOCUMENT.

DIMENSIONS: INCHES	TOLERANCES UNLESS OTHERWISE SPECIFIED:
	0 PLC ± -
	1 PLC ± -
	2 PLC ± -
	3 PLC ± .010
	4 PLC ± -
ANGLES ± -	

MATERIAL: TEMP 3 PHOS BRONZE

FINISH: TIN

.161-.196	18-14	63524-1
INSUL RANGE	WIRE SIZE	PART NUMBER
DWN JR RUTH 1/3/90		
CHK MS FEHER 1/3/90		
APVD J GILLESPIE 1/3/90		
PRODUCT SPEC		
APPLICATION SPEC	RECEPTACLE, FASTON™ LOCK-ON, 4.75 [.187] SERIES	
WEIGHT -	SIZE A2	CAGE CODE 00779
CUSTOMER DRAWING	DRAWING NO C=63524	RESTRICTED TO -
SCALE 6:1	SHEET 1 of 1	REV F

63524