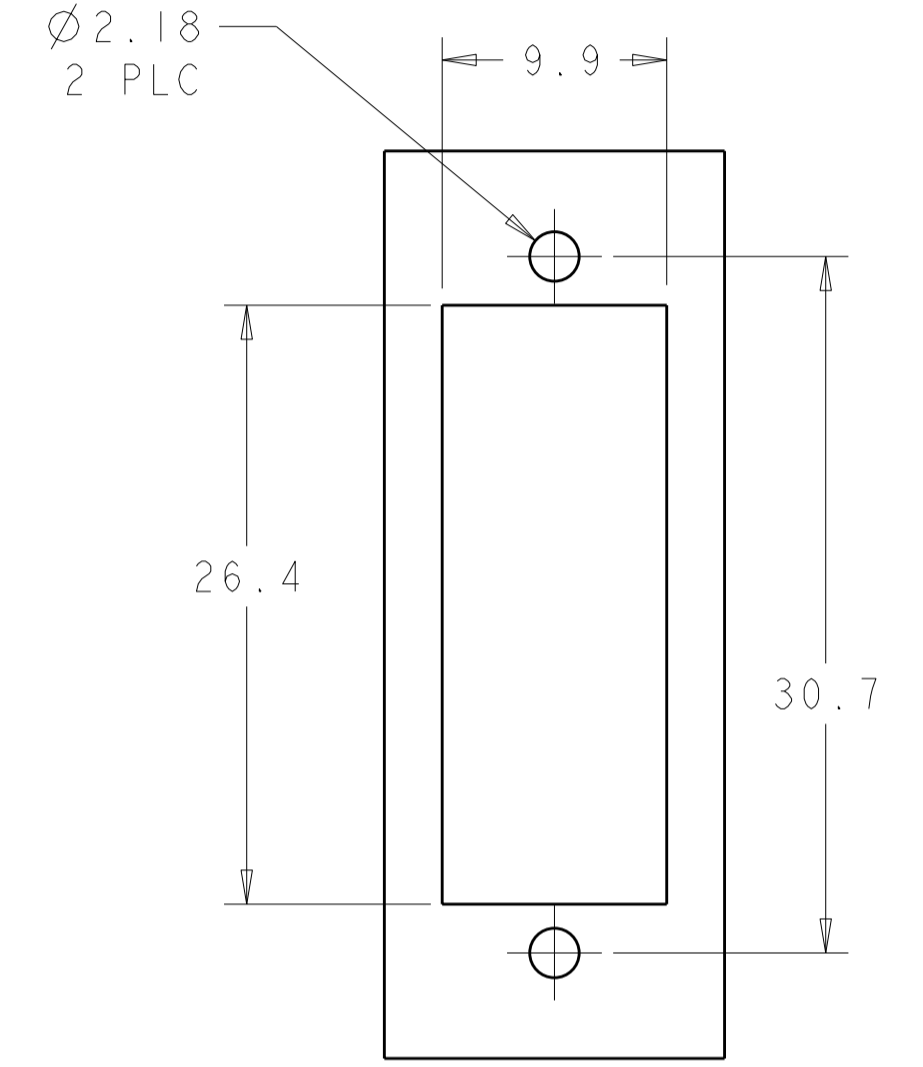
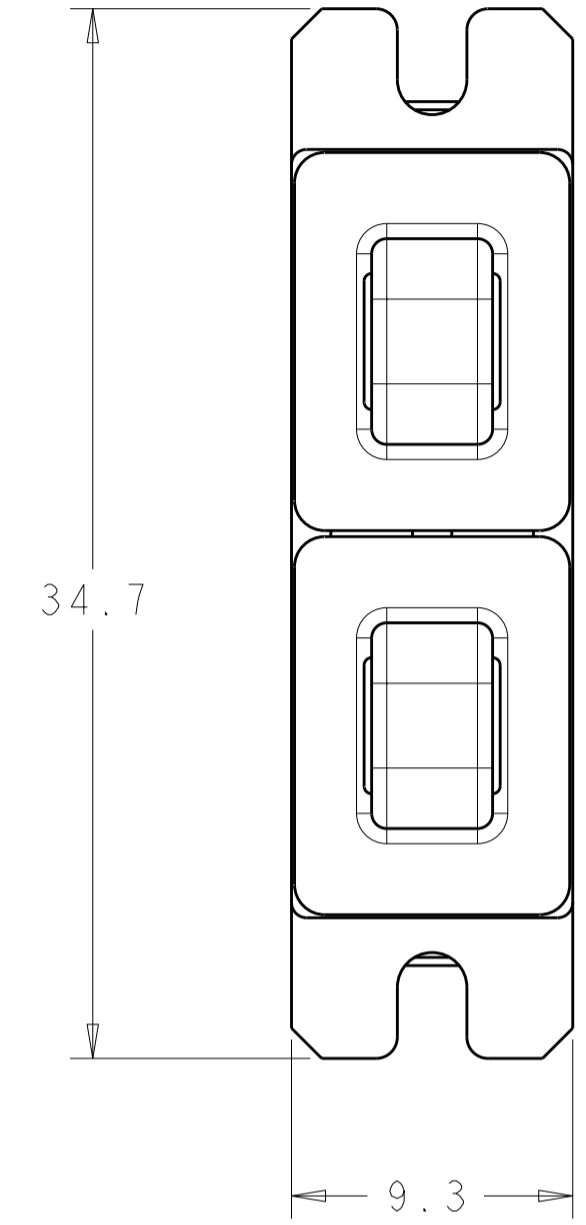
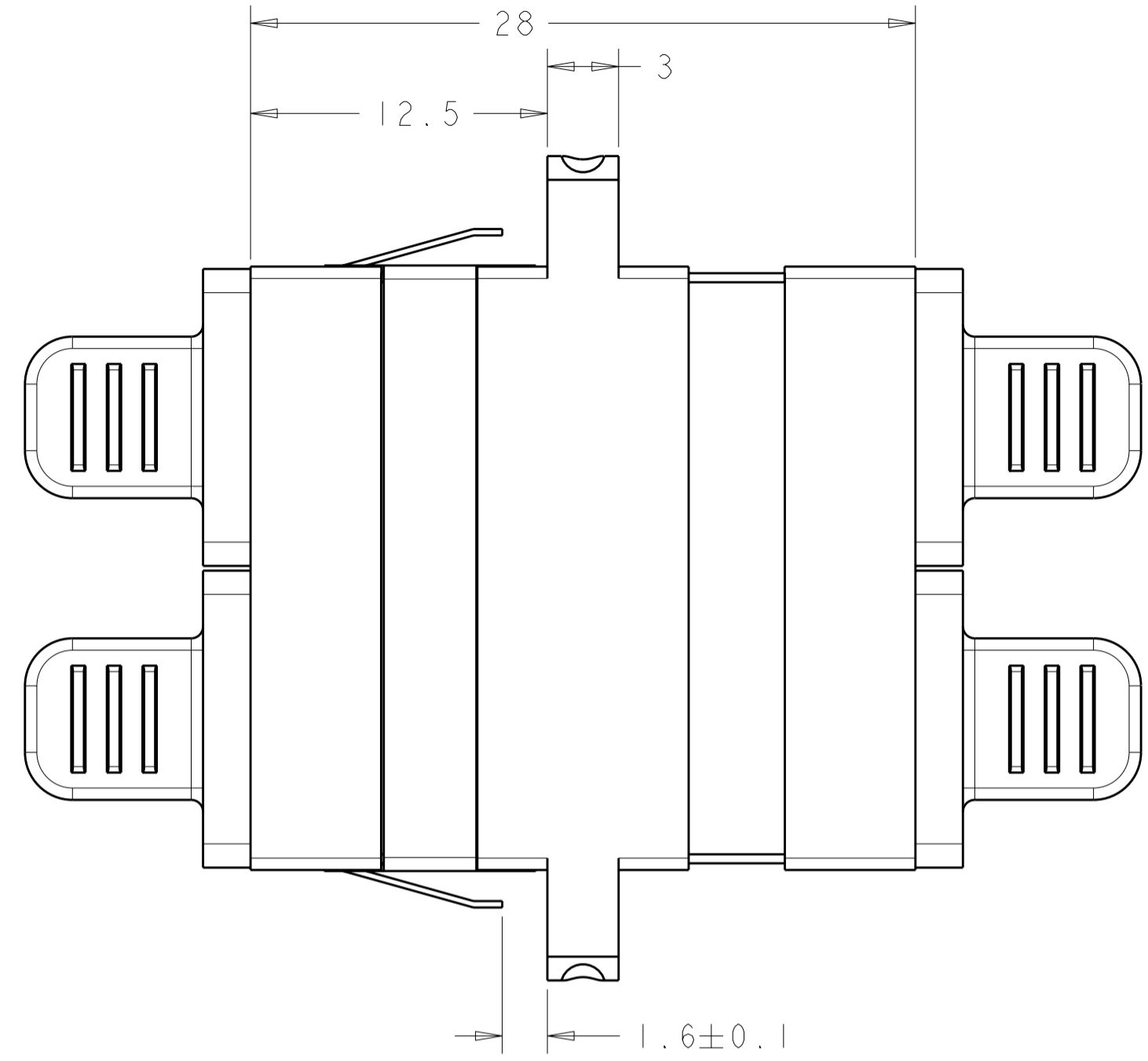


THIS DRAWING IS UNPUBLISHED. RELEASED FOR PUBLICATION 20  
© COPYRIGHT 20 BY TYCO ELECTRONICS CORPORATION. ALL RIGHTS RESERVED.

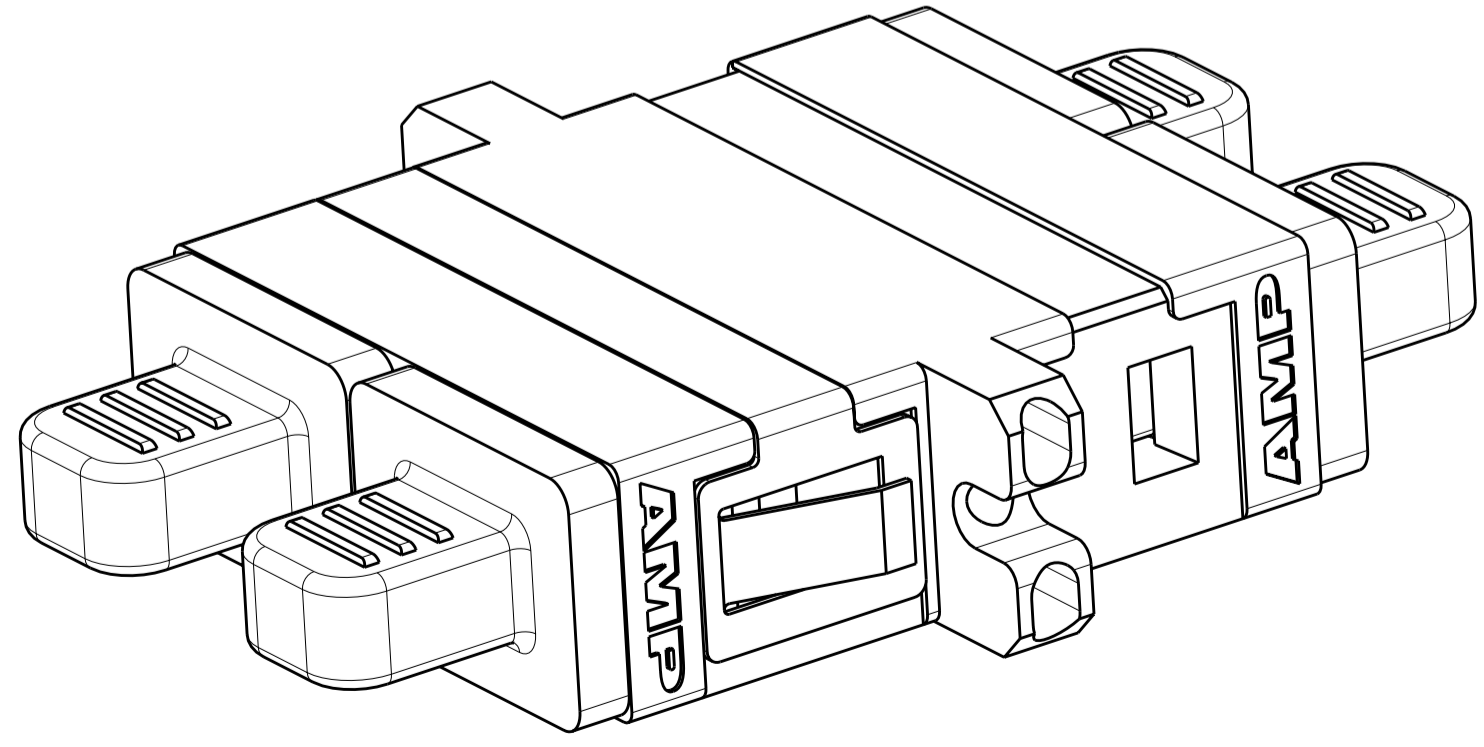
LOC CE DIST 00

REVISIONS					
P	LTR	DESCRIPTION	DATE	DWN	APVD
B		REVISE PER ECR-06-004148	03MAR2006	BB	DK
C		REVISE PER ECR-07-006028	12APR2007	BB	DK



SCALE 3:1

△ BULK PACKAGE.



OBSOLETE	△	6374906-6	1-6374906-2
OBSOLETE	△	6374906-5	1-6374906-1
OBSOLETE	△	6374906-4	1-6374906-0
OBSOLETE	△	6374906-3	6374906-9
OBSOLETE	△	6374906-2	6374906-8
OBSOLETE	△	6374906-1	6374906-7
OBSOLETE		NO LOGO, BLUE	6374906-6
OBSOLETE		AMP LOGO, BLUE	6374906-5
OBSOLETE		NO LOGO, BLACK	6374906-4
OBSOLETE		AMP LOGO, BLACK	6374906-3
OBSOLETE		NO LOGO, ALMOND	6374906-2
OBSOLETE		AMP LOGO, ALMOND	6374906-1
DESCRIPTION			PART NUMBER

DIMENSIONS:		TOLERANCES UNLESS OTHERWISE SPECIFIED:		APPROVED		Tyco Electronics	
mm		0 PLC ±		DWN B. BRIGGS	18AUG2005	Tyco Electronics Harrisburg, PA 17105-3608	
		1 PLC ±		CHK D. KIRSCH	18AUG2005	NAME ASSEMBLY, DUPLEX RECEPTACLE, MT-RJ	
		2 PLC ±		APVD S. BUCHTER	18AUG2005	SIZE A2	CAGE CODE 00779
		3 PLC ±		PRODUCT SPEC		DRAWING NO	6374906
		4 PLC ±		APPLICATION SPEC		RESTRICTED TO	
		ANGLES ±		WEIGHT		SCALE	4:1
MATERIAL		FINISH		CUSTOMER DRAWING		SHEET	1 OF 1
						REV	C