

THIS DRAWING IS UNPUBLISHED.

RELEASED FOR PUBLICATION

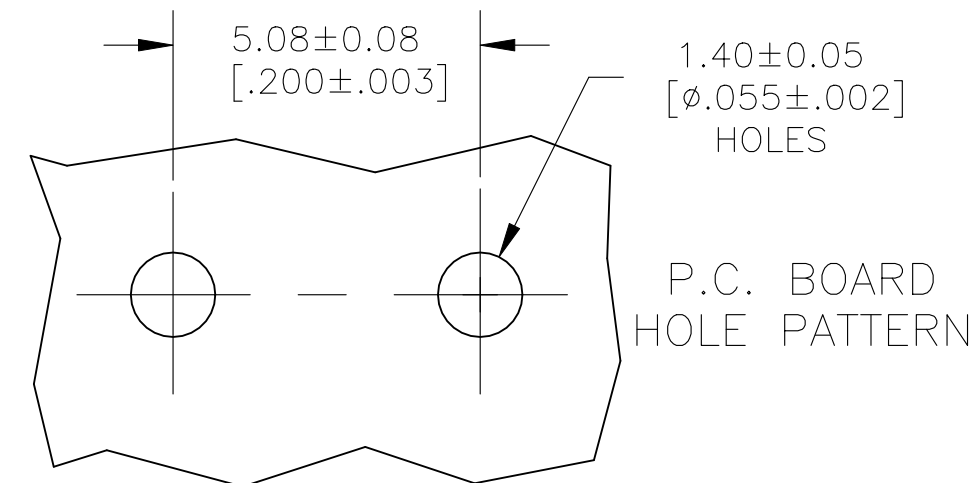
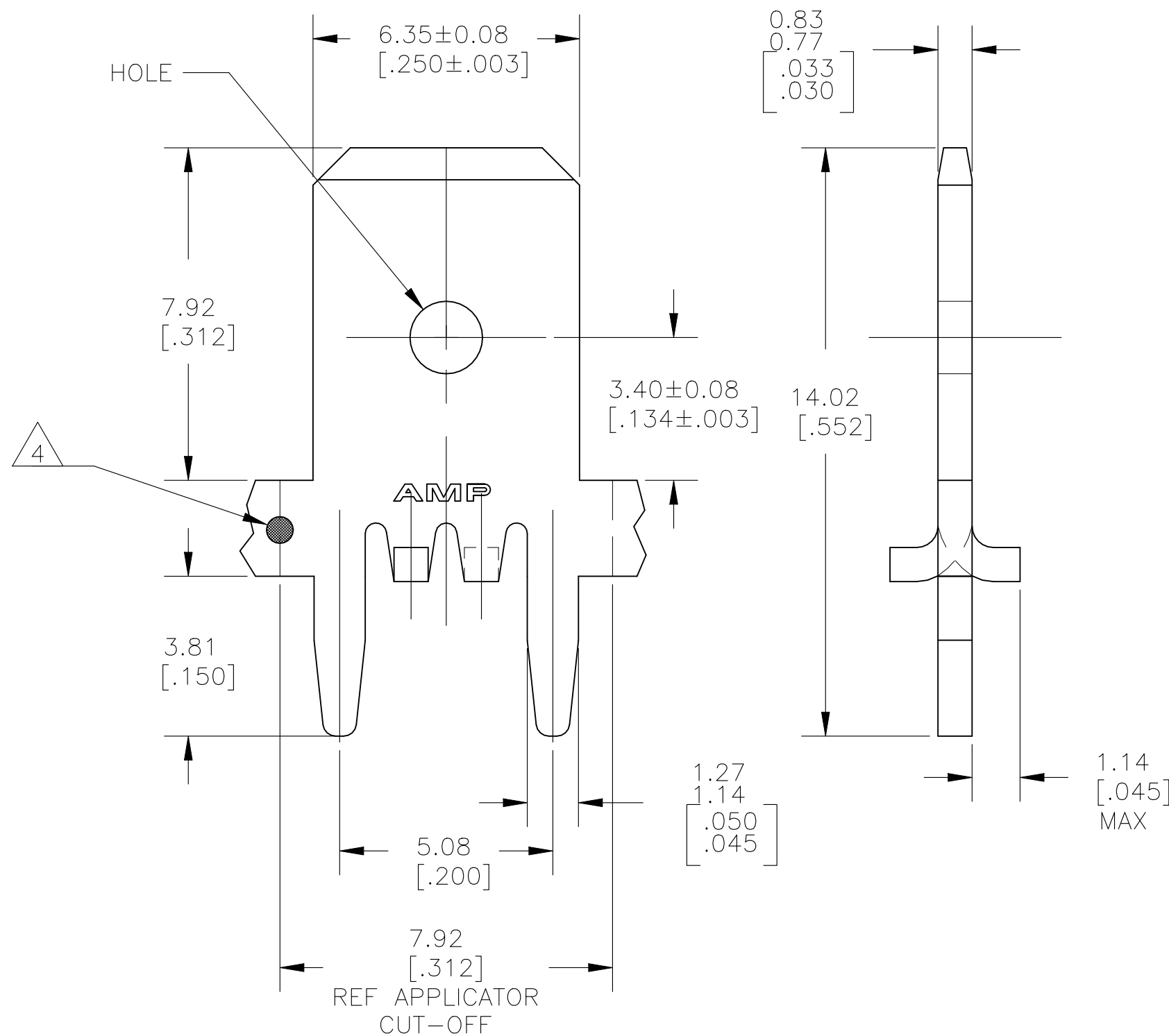
ALL RIGHTS RESERVED.

© COPYRIGHT - By -

REVISIONS

P	LTR	DESCRIPTION	DATE	DWN	APVD
	S2	REVISED PER ECR-24-201941	13MAR2024	DB	RE

- 1 CONTINUOUS STRIP ON REELS.
- 2 TIN PLATE 0.00381 [.000150] MIN OVER 0.00254 [.000100] MIN THK COPPER OR TIN PLATE 0.00381 [.000150] MIN OVER 0.00127 [.000050] MIN THK NICKEL.
- 3 REELED WITH INTERLEAVING PAPER
- 4 OPTIONAL ID MARK, LOCATED APPROX AS SHOWN.
- 5 PRELIMINARY - NOT FOR PRODUCTION



STANDARD	BRASS, SPECIAL HARD	63824-8
3 STANDARD	BRASS	63824-5
REVERSE	BRASS	63824-3
OBSOLETE STANDARD	BRASS	5 63824-2
STANDARD	BRASS	63824-1
REELING	MATERIAL	PART NO.

THIS DRAWING IS A CONTROLLED DOCUMENT.		DWN	JR RUTH	20FEB01	STE TE Connectivity												
DIMENSIONS: INCHES		CHK	MS FEHER	20FEB01													
TOLERANCES UNLESS OTHERWISE SPECIFIED:		APVD	N DEIBERT	20FEB01													
<table border="0"> <tr><td>0 PLC</td><td>± -</td></tr> <tr><td>1 PLC</td><td>± -</td></tr> <tr><td>2 PLC</td><td>± 0.25 [.010]</td></tr> <tr><td>3 PLC</td><td>± -</td></tr> <tr><td>4 PLC</td><td>± -</td></tr> <tr><td>ANGLES</td><td>± -</td></tr> </table>		0 PLC	± -	1 PLC		± -	2 PLC	± 0.25 [.010]	3 PLC	± -	4 PLC	± -	ANGLES	± -	PRODUCT SPEC	NAME	
0 PLC	± -																
1 PLC	± -																
2 PLC	± 0.25 [.010]																
3 PLC	± -																
4 PLC	± -																
ANGLES	± -																
MATERIAL SEE TABLE		FINISH	114-2115		SIZE	CAGE CODE	DRAWING NO	RESTRICTED TO									
			WEIGHT 0.000000		A3	00779	C-63824										
			CUSTOMER DRAWING		SCALE	8:1	SHEET	1 OF 1	REV	S2							