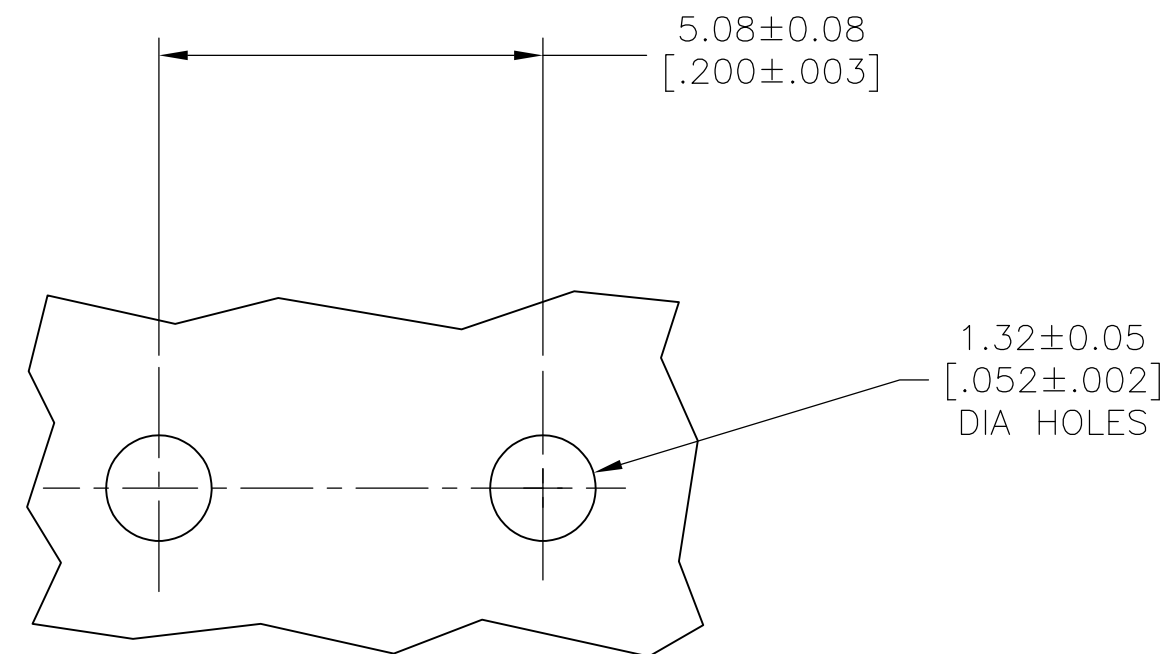
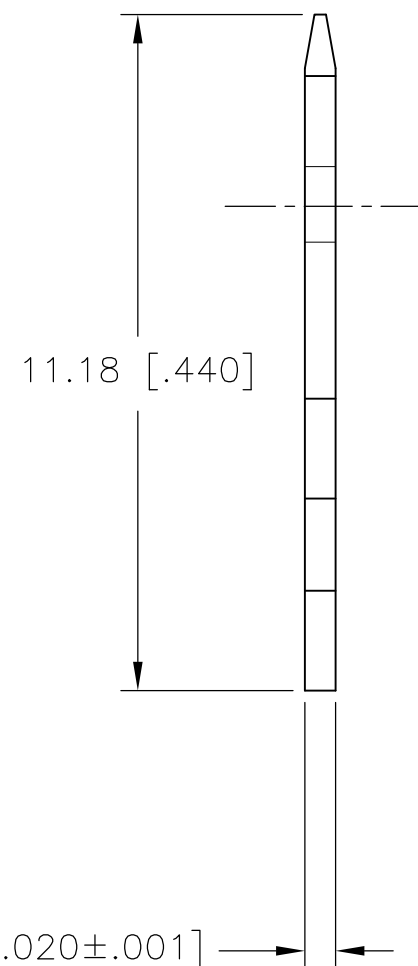
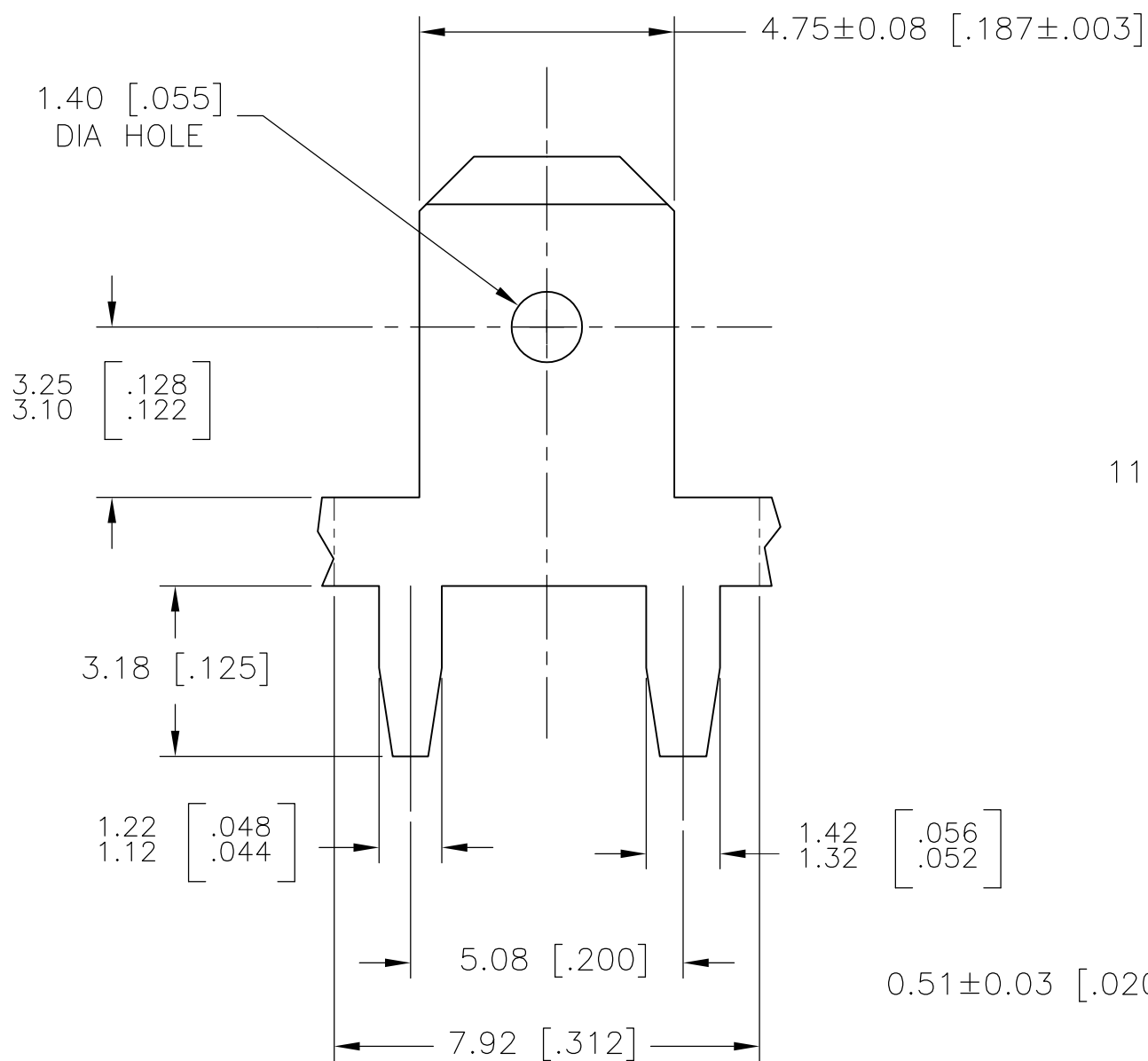


THIS DRAWING IS UNPUBLISHED. RELEASED FOR PUBLICATION
 © COPYRIGHT - By - ALL RIGHTS RESERVED.

LOC	DIST	REVISIONS			
P	LTR	DESCRIPTION	DATE	DWN	APVD
AF	50	F	REVISED PER ECR-13-011489	29NOV2013	KH PD


1 CONTINUOUS STRIP ON REELS.
 2 0.00381 [.000150] MIN TIN OVER
 0.00254 [.000100] MIN THK COPPER.



P.C. BOARD HOLES
 SCALE 10:1

63838-1

PART NUMBER

THIS DRAWING IS A CONTROLLED DOCUMENT.		DWN JR RUTH 30NOV00	 TE Connectivity NAME TAB, FASTON, PC BOARD, 4.75 [.187] SERIES			RESTRICTED TO			
DIMENSIONS: mm [INCHES]		CHK MS FEHER 30NOV00				SIZE	CAGE CODE	DRAWING NO	-
TOLERANCES UNLESS OTHERWISE SPECIFIED:		APVD G PORTA 30NOV00				A3	00779	C-63838	
0 PLC ± - 1 PLC ± - 2 PLC ± 0.25 [.010] 3 PLC ± - 4 PLC ± - ANGLES ± -		PRODUCT SPEC -				WEIGHT	-	-	REV F
MATERIAL BRASS		FINISH TIN OVER COPPER	CUSTOMER DRAWING		SCALE 8:1	SHEET 1 OF 1			