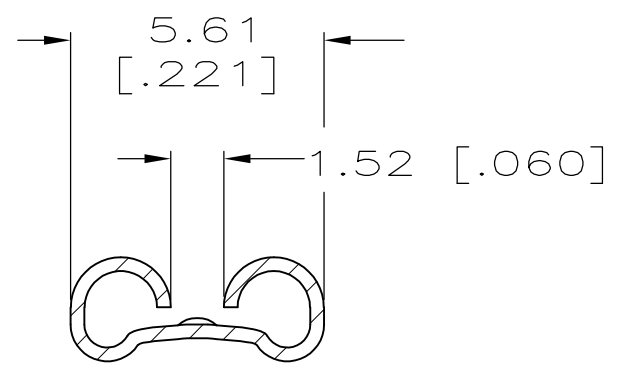
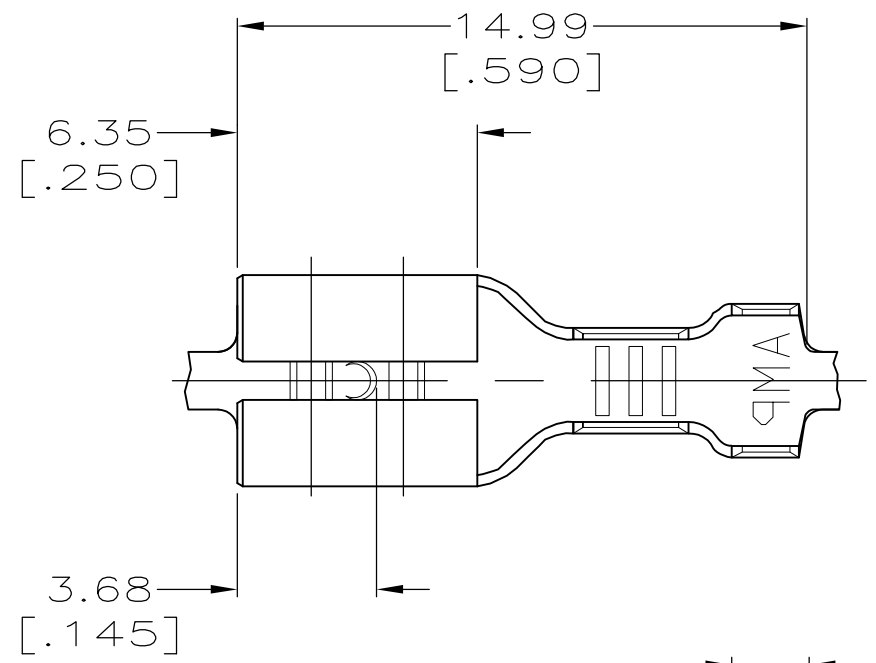


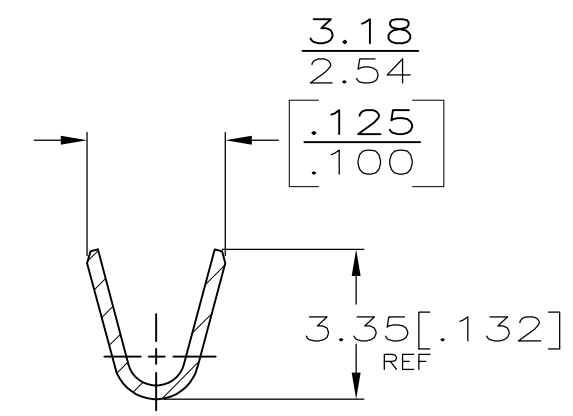
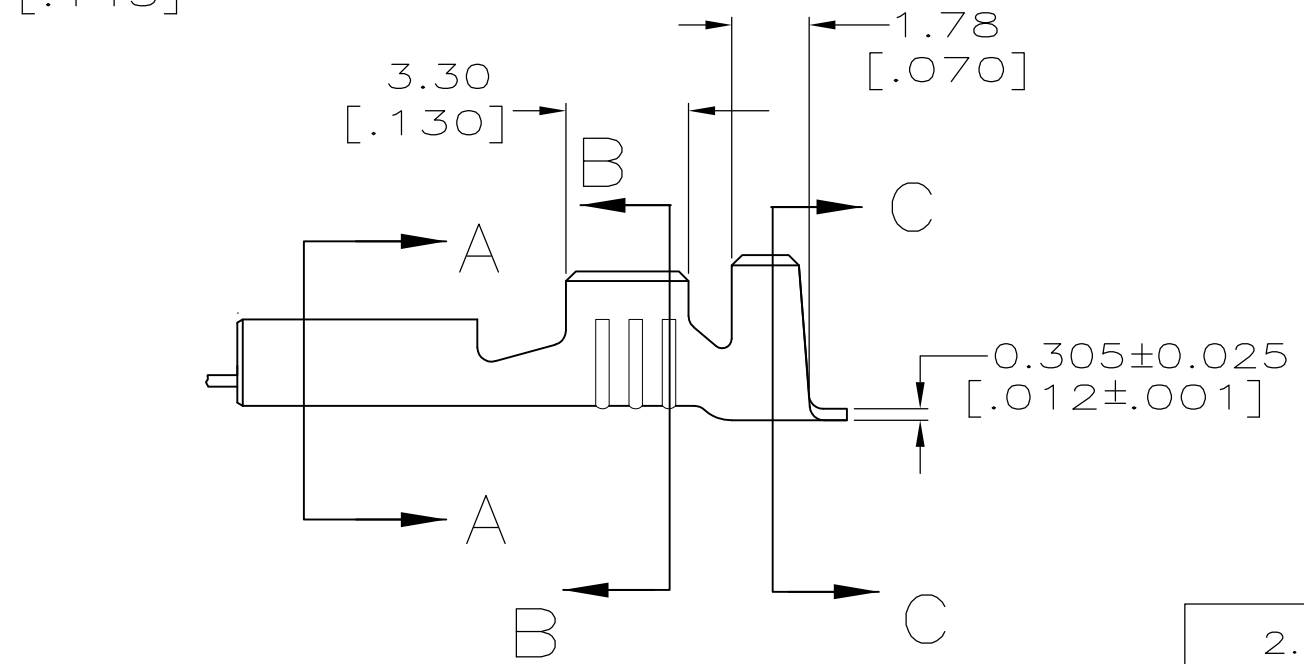
THIS DRAWING IS UNPUBLISHED. RELEASED FOR PUBLICATION
 © COPYRIGHT BY TYCO ELECTRONICS CORPORATION. ALL INTERNATIONAL RIGHTS RESERVED.

LOC	DIST	REVISIONS			
P	LTR	DESCRIPTION	DATE	DWN	APVD
AF	50	C	REV PER ECR 10-021103	06DEC10	JR PD

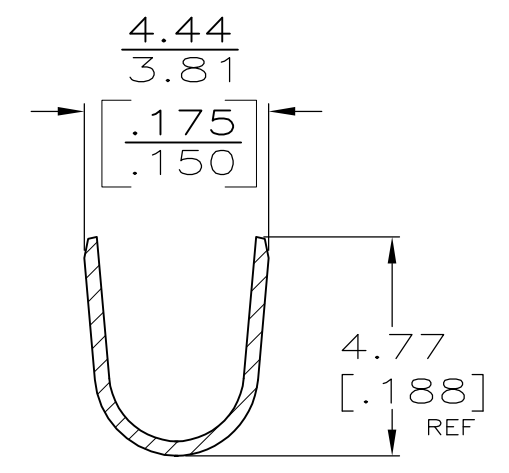
- 1 CONTINUOUS STRIP ON REELS.
- 2 NICKEL PLATE 0.00381 [.000150] MIN THK.



SECTION A-A



SECTION B-B



SECTION C-C

2.29-3.30 DIA [.090-.130] DIA	[#20-#16] AWG	0.813±0.025 [.032±.001]	63850-1
INSULATION RANGE	WIRE SIZE	MATING TAB THICKNESS	PART NO.

THIS DRAWING IS A CONTROLLED DOCUMENT.		DWN JR RUTH 9/19/95	Tyco Electronics Corporation Harrisburg, PA 17105-3608	
DIMENSIONS: MM [INCHES]		CHK MS FEHER 9/19/95		
TOLERANCES UNLESS OTHERWISE SPECIFIED:		APVD R REINER 9/19/95	NAME RECEPTACLE, FASTON, 4.75 [.187] SERIES	
0 PLC ± - 1 PLC ± - 2 PLC ± 0.25 [.010] 3 PLC ± - 4 PLC ± - ANGLES ± -		PRODUCT SPEC -	SIZE A3	
MATERIAL T2 C.R.STEEL		FINISH - 2	APPLICATION SPEC -	CAGE CODE 00779
		WEIGHT -	DRAWING NO C-63850	RESTRICTED TO -
CUSTOMER DRAWING			SCALE 5:1	SHEET 1 OF 1
			REV C	