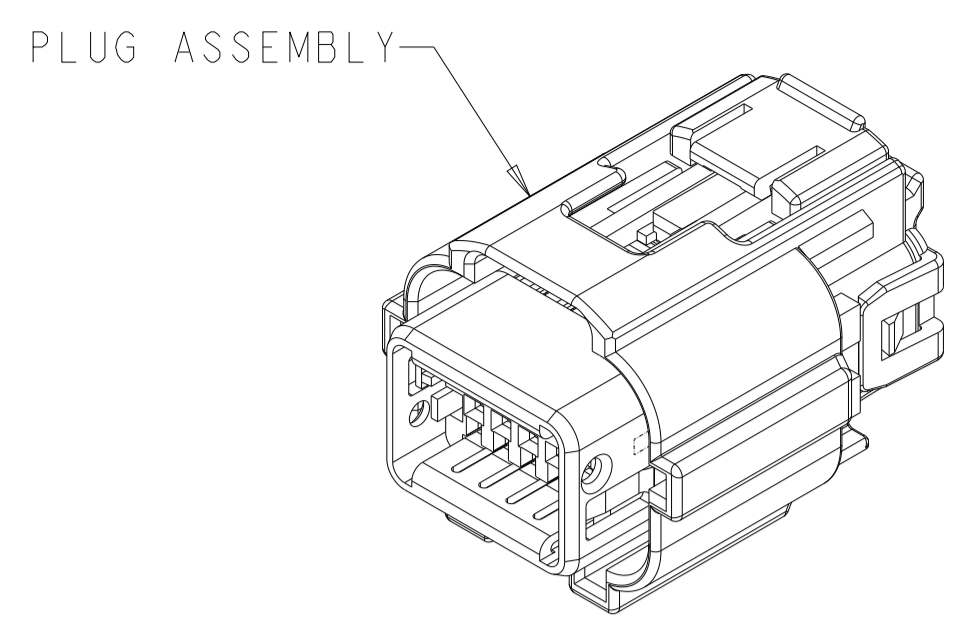
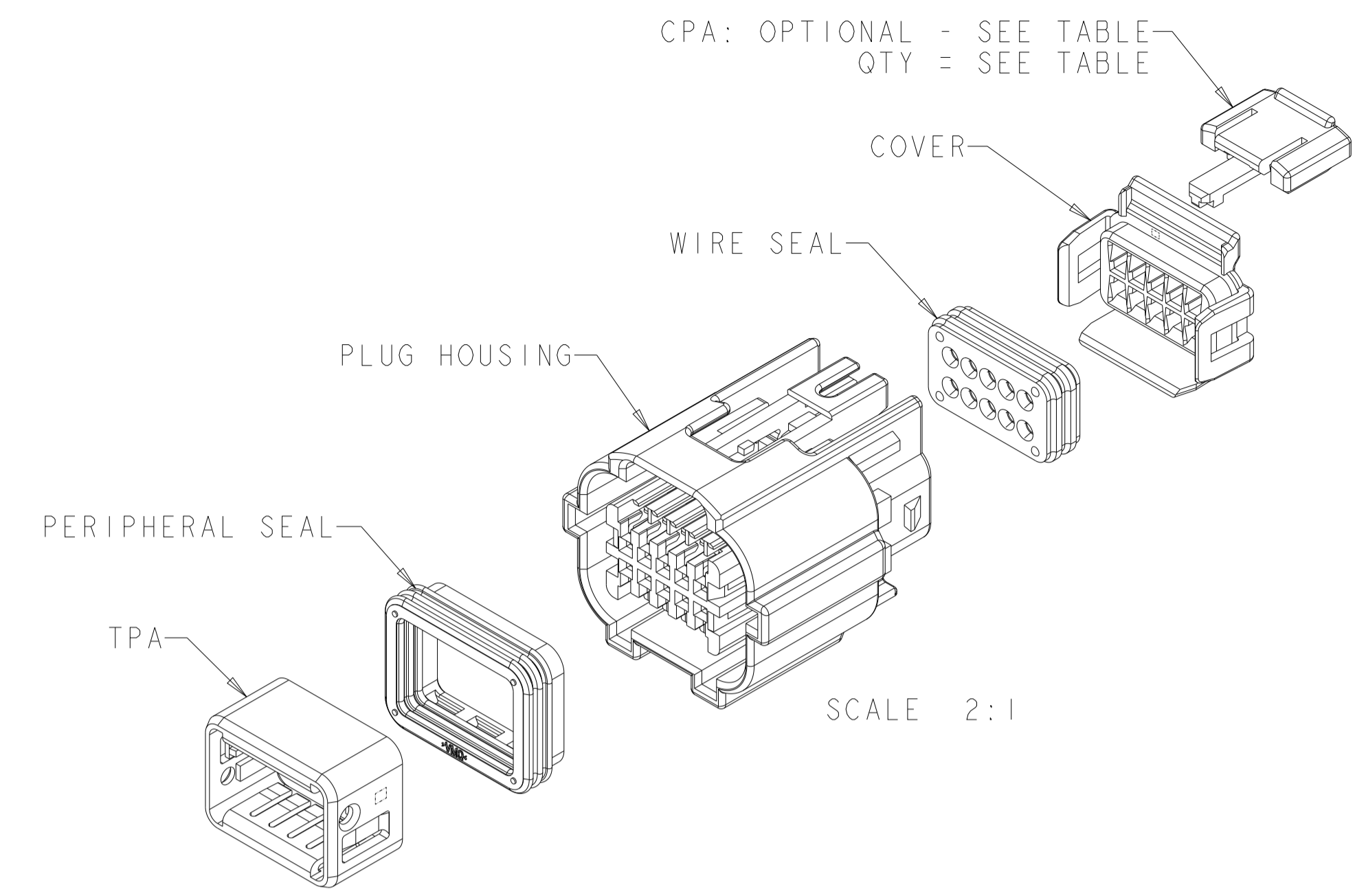
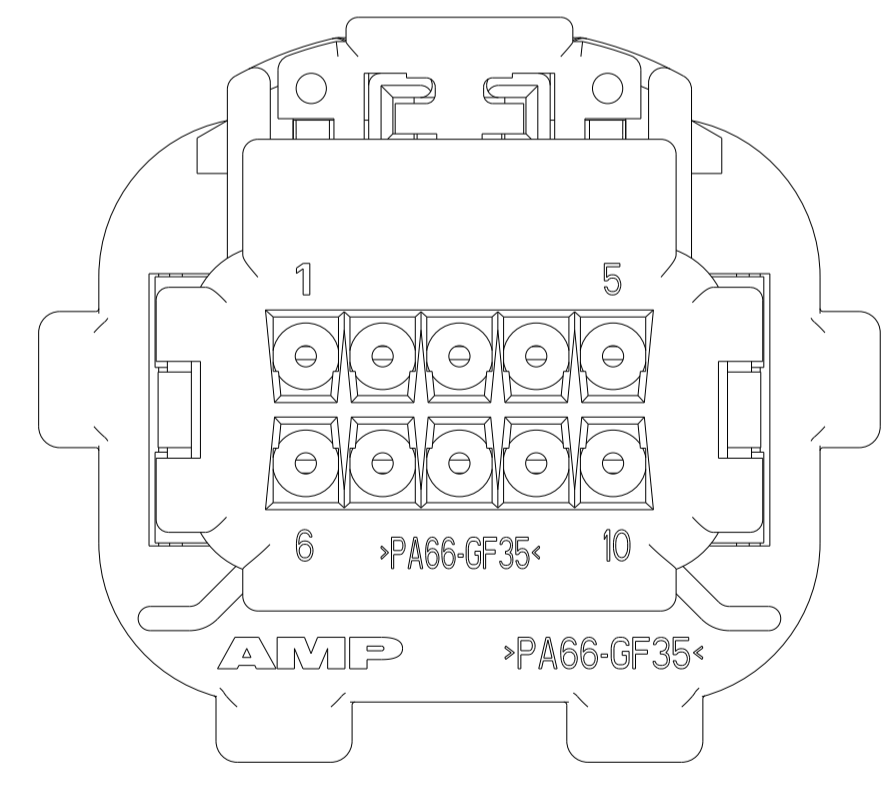
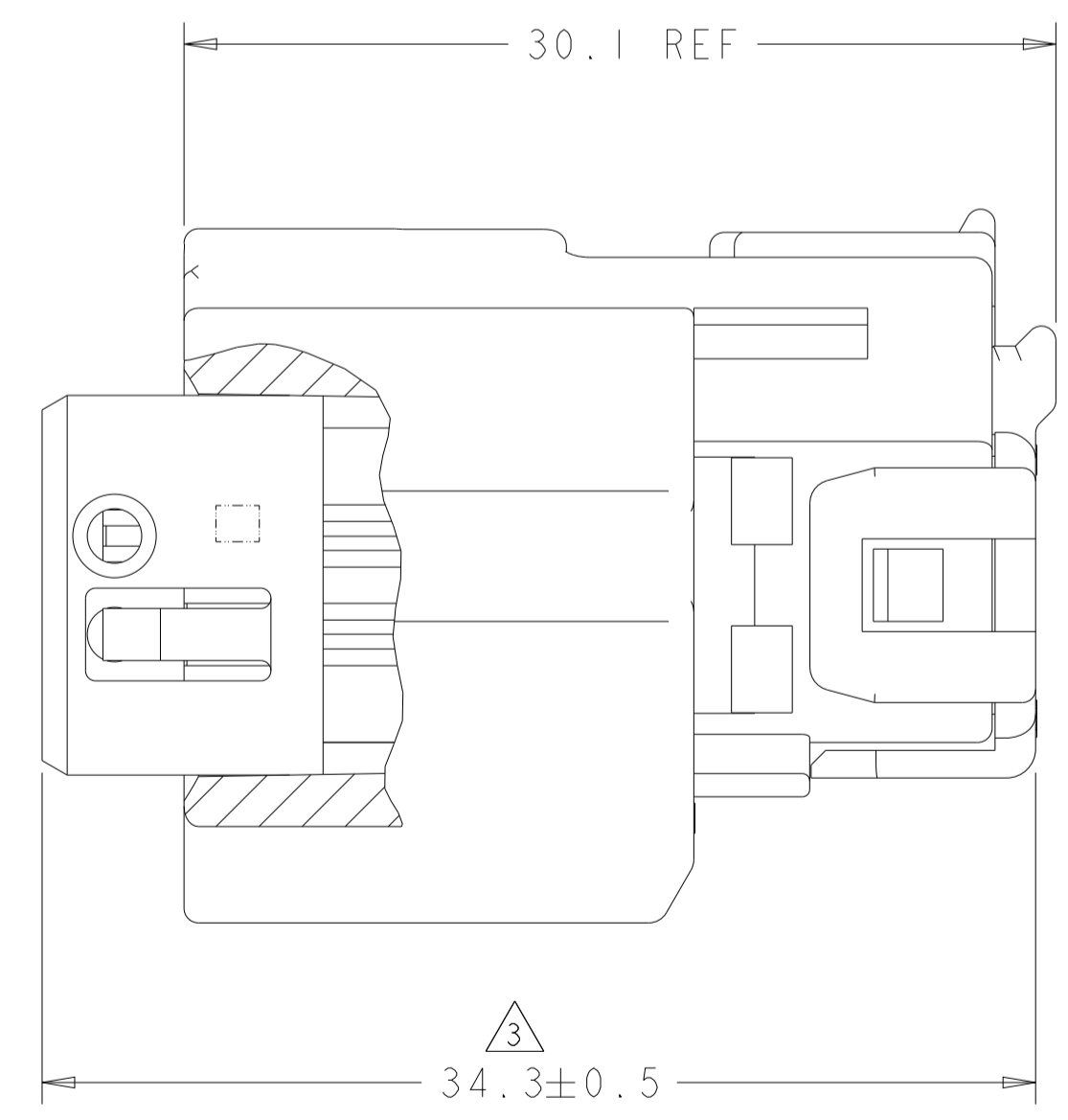
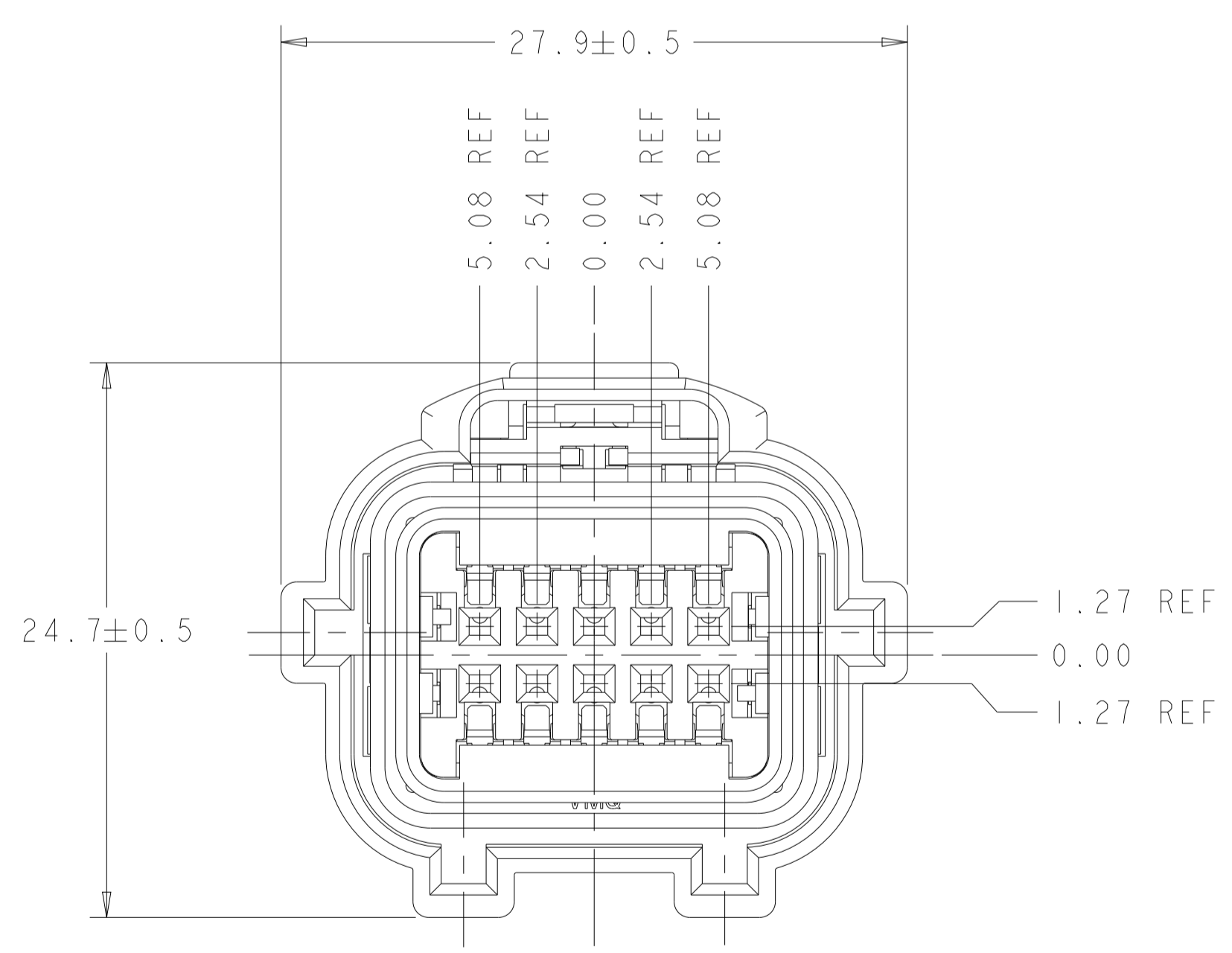
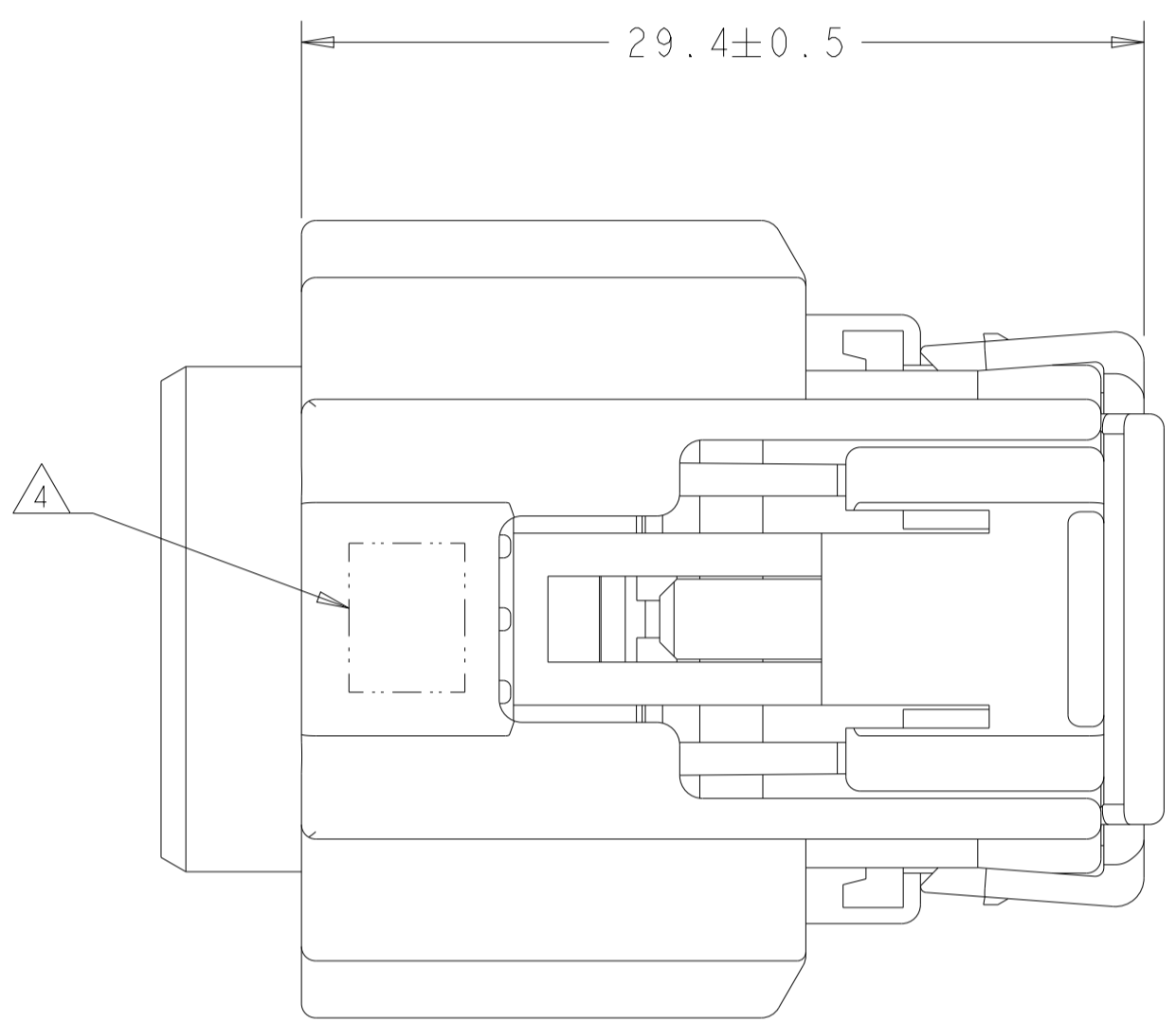


REVISIONS					
P	LTN	DESCRIPTION	DATE	OWN	APVD
K8		REVISED PER ECO-12-003785	16DEC2016	DD	MB
K9		REVISED PER ECO-20-012419	23APR2021	AP	JRV
K10		REVISED PER ECN-21-120512	10OCT2021	CN	JV
K11		REVISED PER ECN-21-125441	09NOV2021	CN	JV



SCALE 2:1

1. 638517-5 SHOWN.
2. PLUG HOUSING: NYLON 6/6, 35% GLASS FILLED, 25% MAX REGRIND. COLOR: SEE TABLE.
 COVER: NYLON 6/6, 35% GLASS FILLED, BLACK, 25% MAX REGRIND.
 TPA: NYLON 6/6, 35% GLASS FILLED, RED, 25% MAX REGRIND.
 PERIPHERAL SEAL AND WIRE SEAL: SILICONE RUBBER, DARK BLUE.
 CPA: PBT, 15% GLASS, RED
3. TPA SHOWN IN PRE-LATCHED POSITION.
4. MARK FOUR DIGIT JULIAN DATE CODE (DDDY), LOCATED IN APPROXIMATE AREA SHOWN.
5. TERMINALS SOLD SEPARATELY, SEE AMP RECOMMENDED P/N 1326028 (GOLD) OR 638551 (TIN) FOR TERMINATION AND REELING OPTIONS.
6. PRELIMINARY - NOT RELEASED FOR PRODUCTION.



PLUG HOUSING COLOR	CPA QTY	KEYING ARRANGEMENT (SEE SHEET 2)	PART NUMBER
OBSOLETE	YELLOW	I	"A" 5-638517-4
	BLACK	I	"A" 3-638517-2
	BLACK	I	"A" 3-638517-1
	BLACK	I	"A" 3-638517-0
	BLACK	I	"A" 2-638517-9
	BLACK	I	"A" 2-638517-8
	BLACK	I	"A" 2-638517-7
	BLACK	I	"A" 2-638517-6
	BLACK	I	"A" 2-638517-5
6	TBD	I	"A" 2-638517-4
6	TBD	I	"A" 2-638517-3
	BLACK	I	"A" 2-638517-2
	BLACK	I	"A" 2-638517-1
	TBD	I	"D" 638517-8
	TBD	I	"C" 638517-7
	TBD	I	"B" 638517-6
	BLACK	I	"A" 638517-5

THIS DRAWING IS A CONTROLLED DOCUMENT. DWG: H. FOLTZ 22FEB00
 CHK: M. SHORE 08MAY01
 G. BALON 08MAY01

DIMENSIONS: mm TOLERANCES UNLESS OTHERWISE SPECIFIED:
 0 PLC ±0.2
 1 PLC ±0.10
 2 PLC ±0.10
 3 PLC ±0.10
 4 PLC ±0.10
 ANGLES FINISH

MATERIAL: FINISH: -

WEIGHT: -

CUSTOMER DRAWING

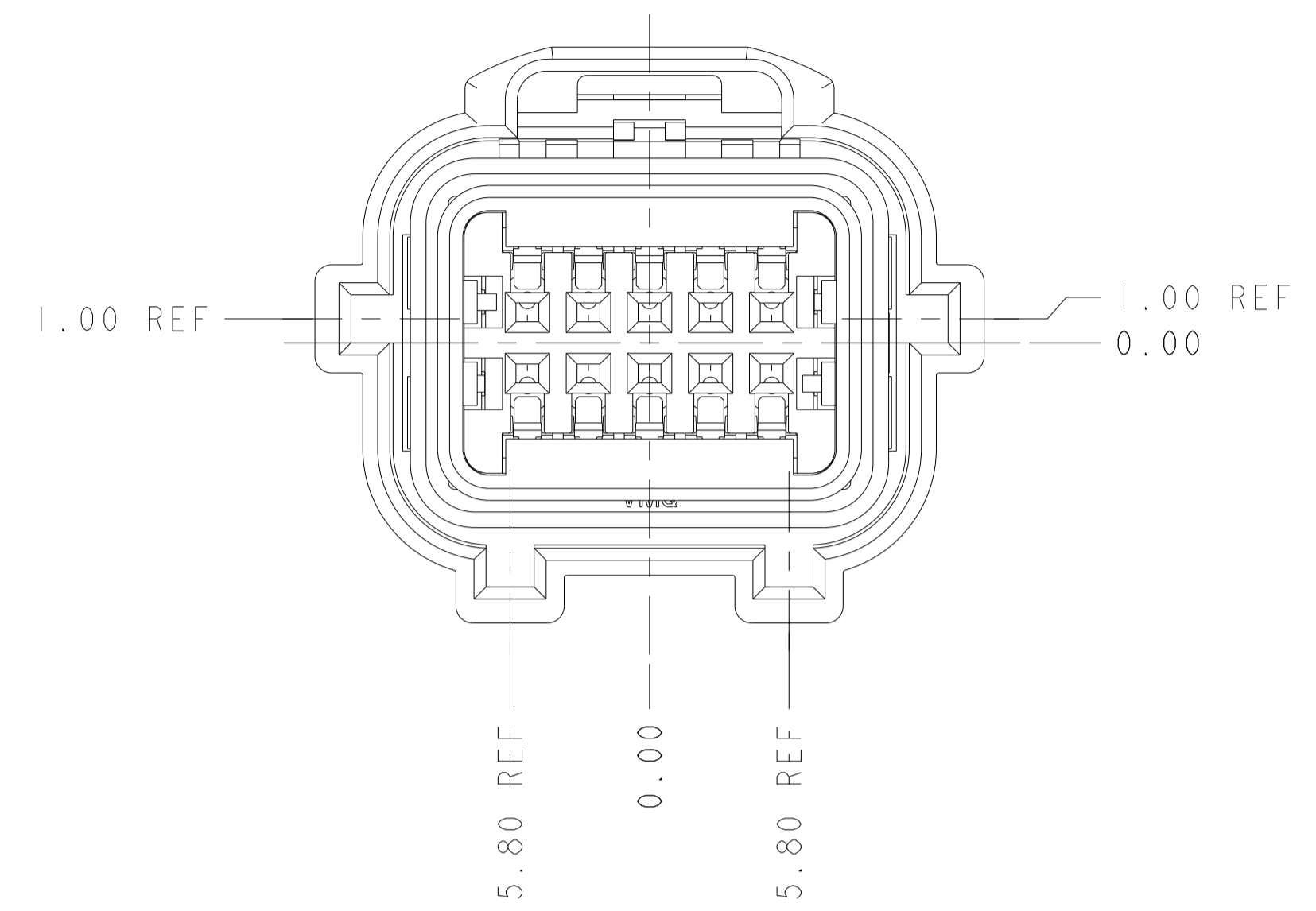
SAE/USCAR-2 8/97 APPLICATION SPEC

SIZE: A1 CAGE CODE: 00779 DRAWING NO: 638517 RESTRICTED TO: -

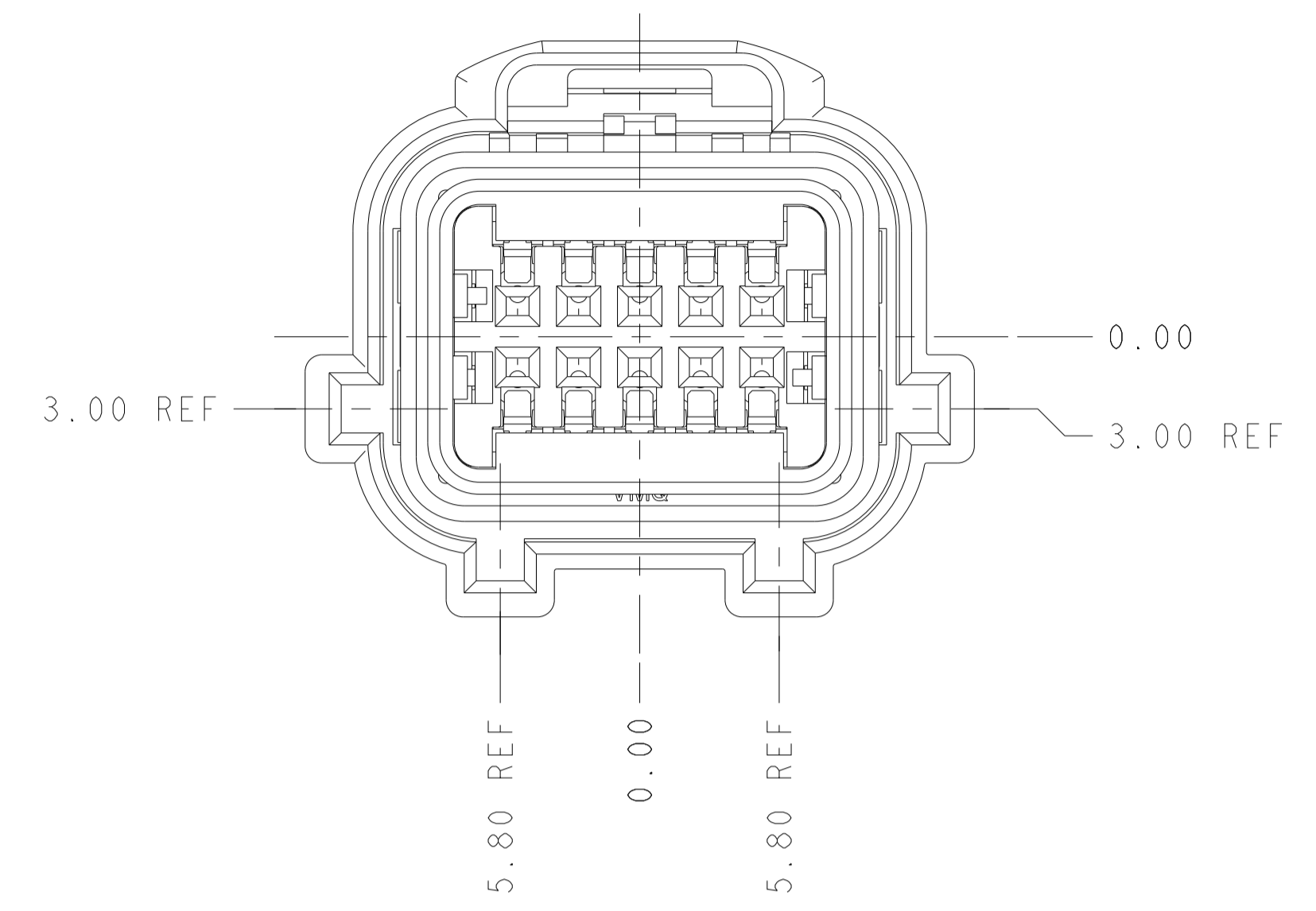
SCALE: 4:1 SHEET: 1 OF 3 REV: K11

TE TE Connectivity
 PLUG ASSEMBLY, 10 POSITION 2X5, SEALED, 0.64mm CONNECTOR

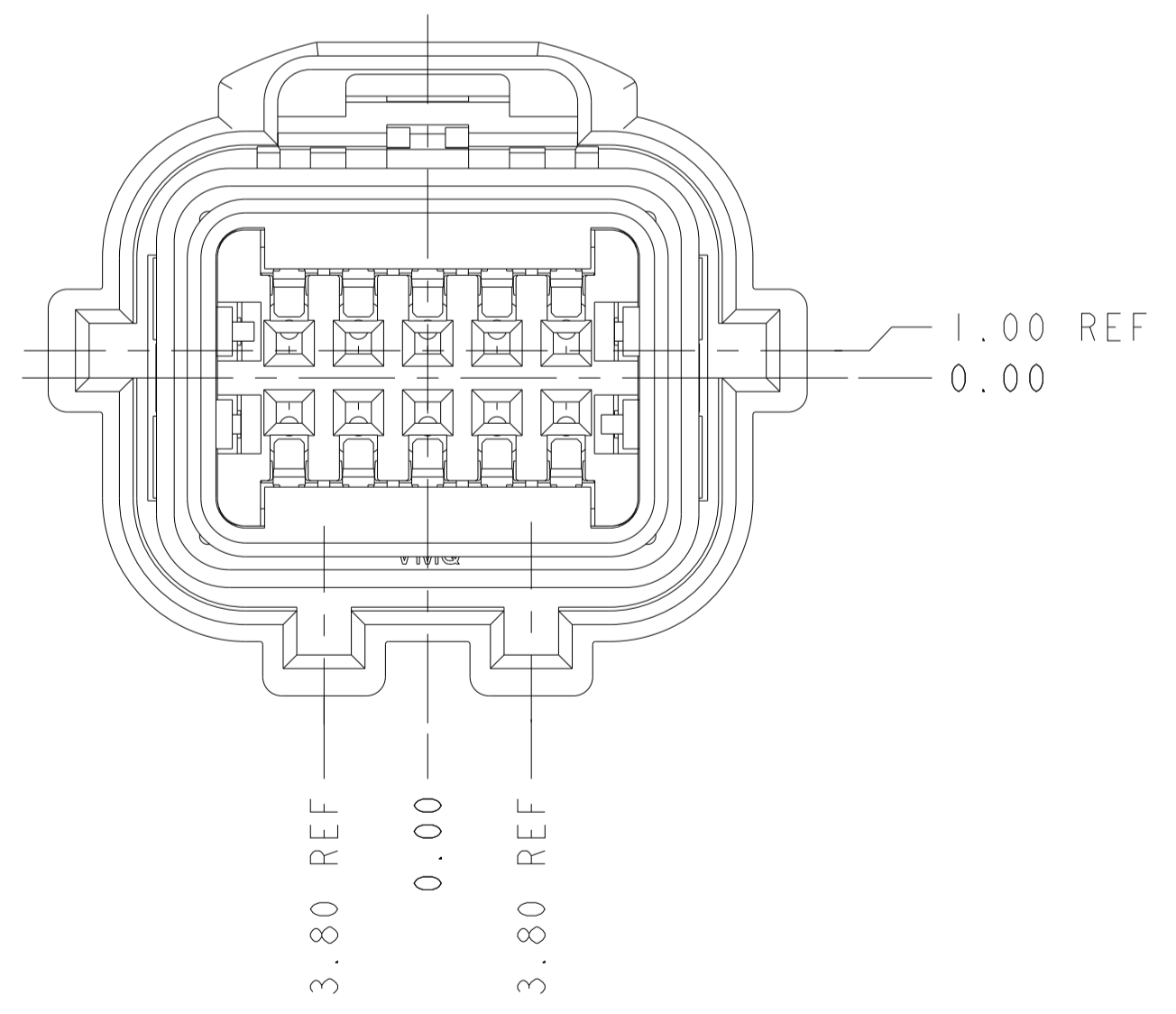
REVISIONS				
P	LTN	DESCRIPTION	DATE	APVD
-		SEE SHEET 1	-	-



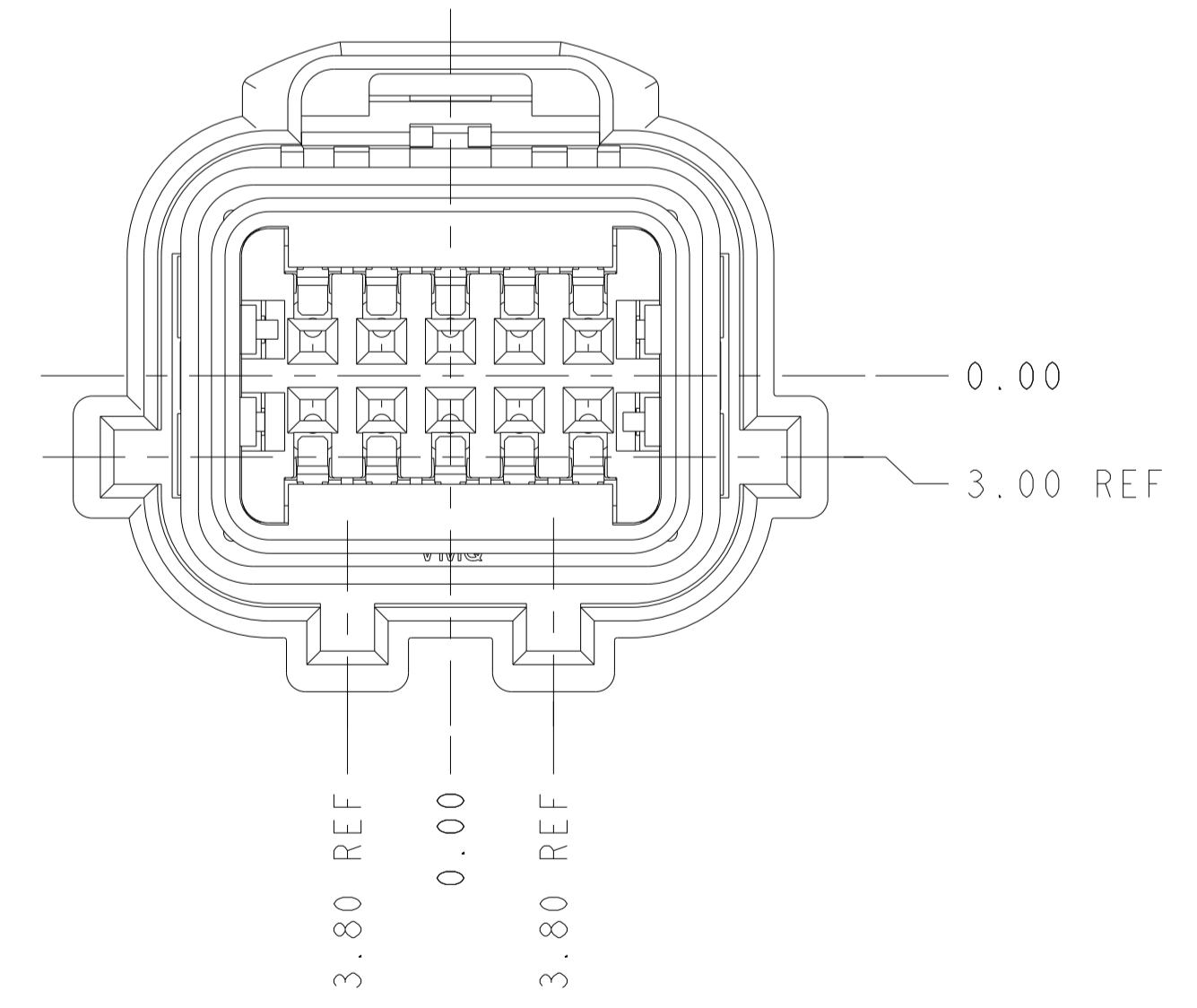
KEY CODE "A"
 (APPLIES TO -5, 2--1, 2--2,
 2--3 THRU 3--1 & 5--4 ONLY)
 SCALE 4:1



KEY CODE "B"
 (APPLIES TO -6 ONLY)
 SCALE 4:1



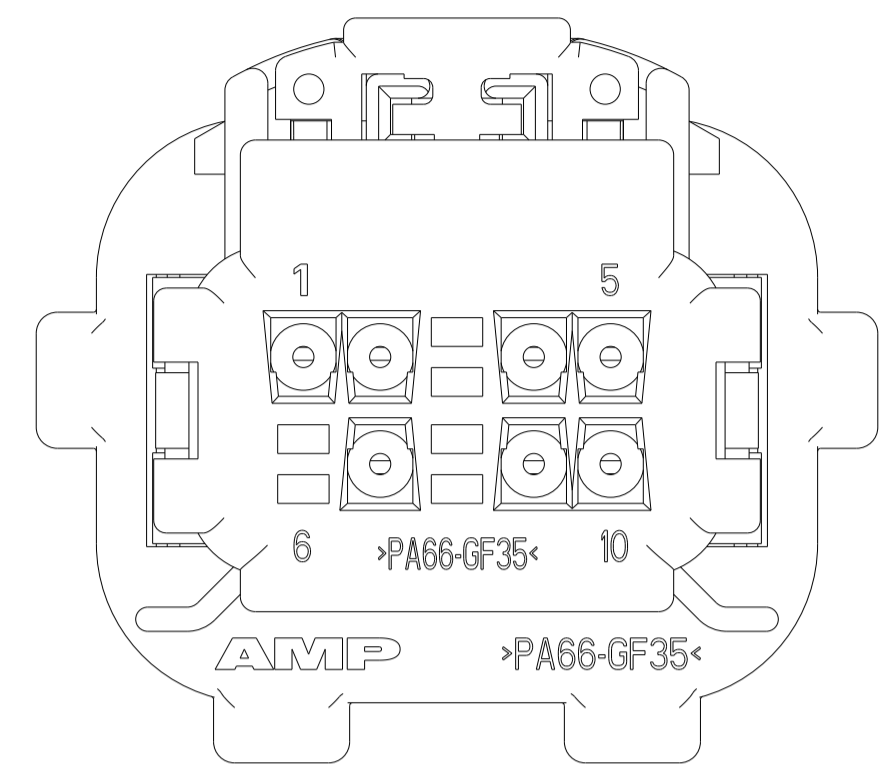
KEY CODE "C"
 (APPLIES TO -7 ONLY)
 SCALE 4:1



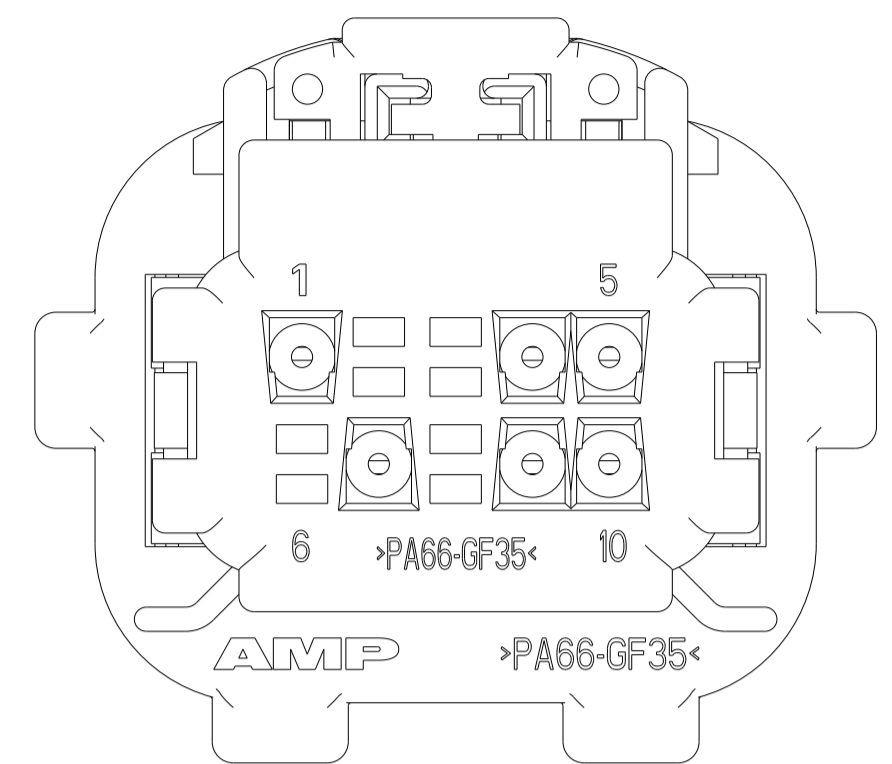
KEY CODE "D"
 (APPLIES TO -8 ONLY)
 SCALE 4:1

THIS DRAWING IS A CONTROLLED DOCUMENT.		DWN K. FOLTZ CHK M. SHORE APVD G. BALON	22FEB00 08MAY01 08MAY01	
DIMENSIONS: mm 		TOLERANCES UNLESS OTHERWISE SPECIFIED: 0 PLC ± 1 PLC ±0.2 2 PLC ±0.10 3 PLC ± 4 PLC ± ANGLES ± FINISH ±		
MATERIAL		WEIGHT		SIZE CAGE CODE DRAWING NO A100779C=638517
CUSTOMER DRAWING		SCALE 4:1		SHEET 2 OF 3 REVISION K11

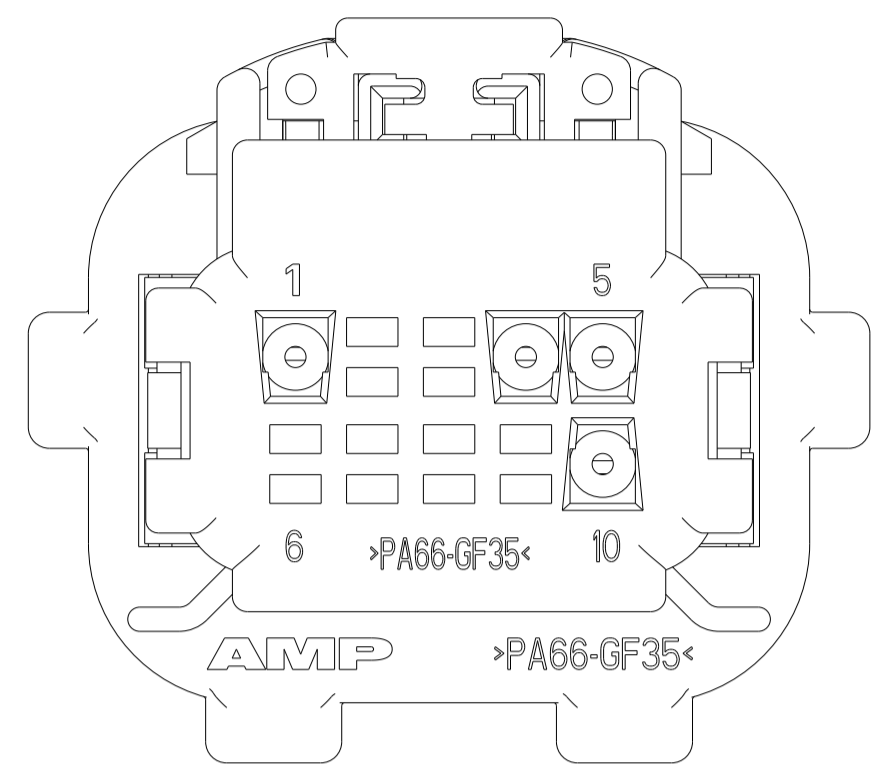
REVISIONS				
P	LTN	DESCRIPTION	DATE	APPD
-	-	SEE SHEET 1	-	-



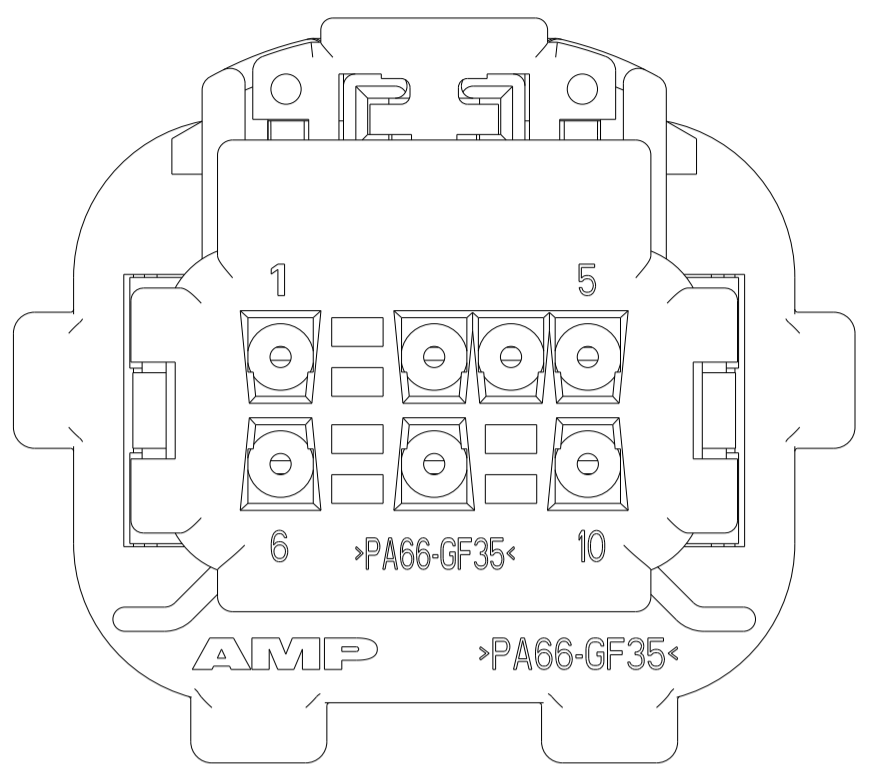
VIEW SHOWS COVER, FOR 2-638517-1



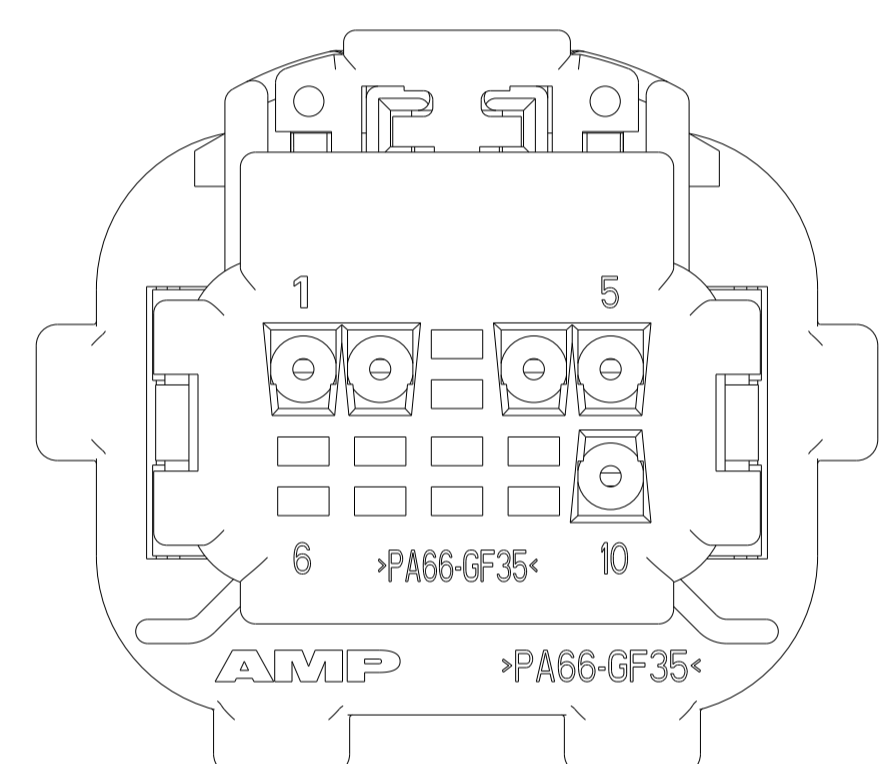
VIEW SHOWS COVER, FOR 2-638517-2



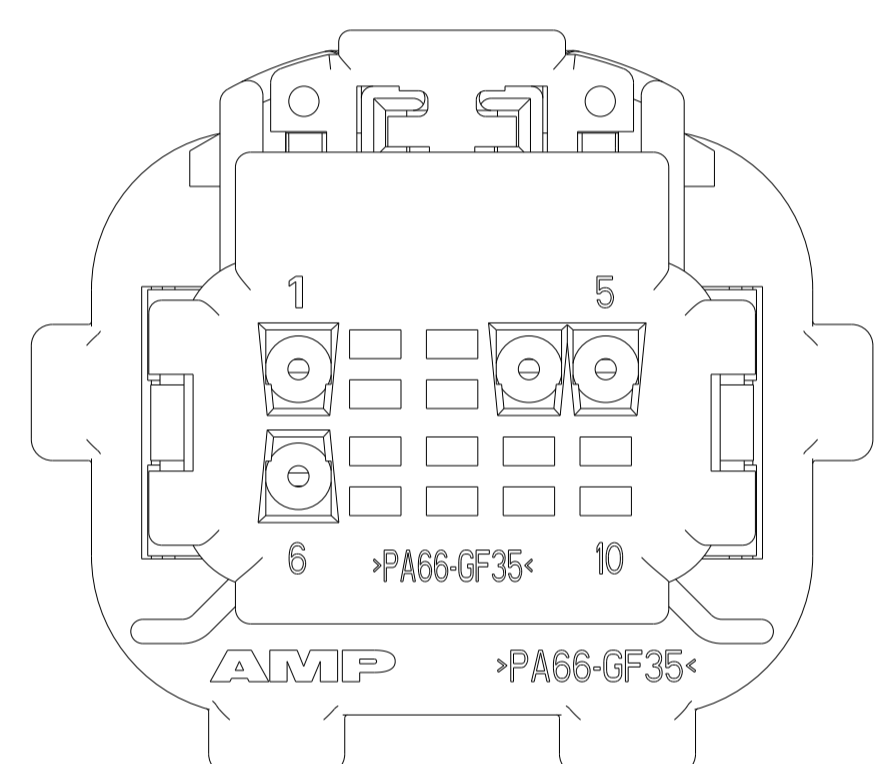
VIEW SHOWS COVER, FOR 2-638517-3



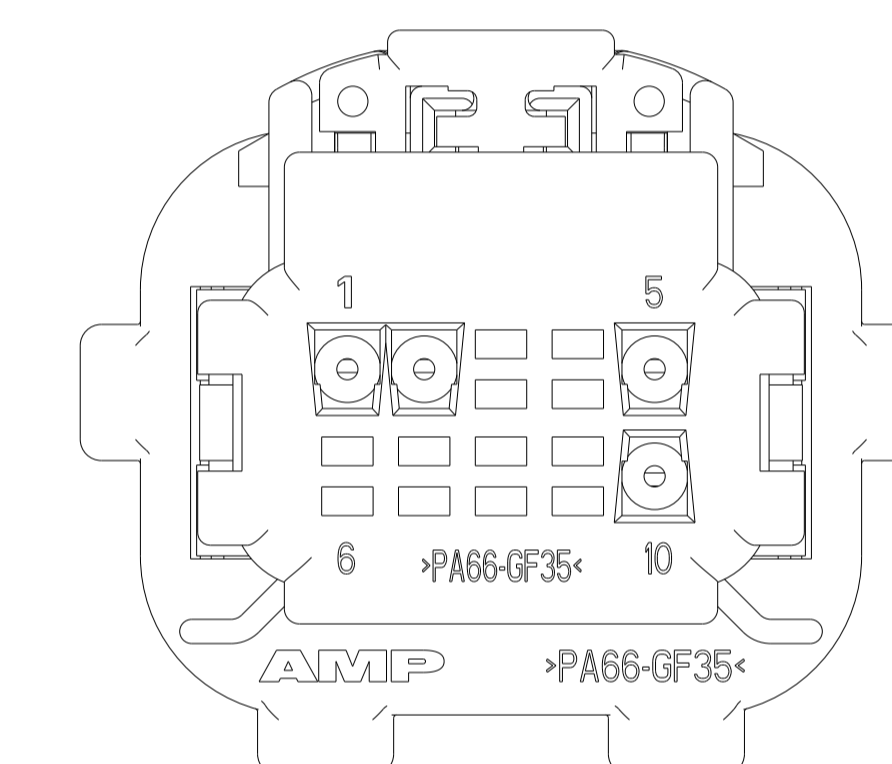
VIEW SHOWS COVER, FOR 2-638517-4 & 5-638517-4



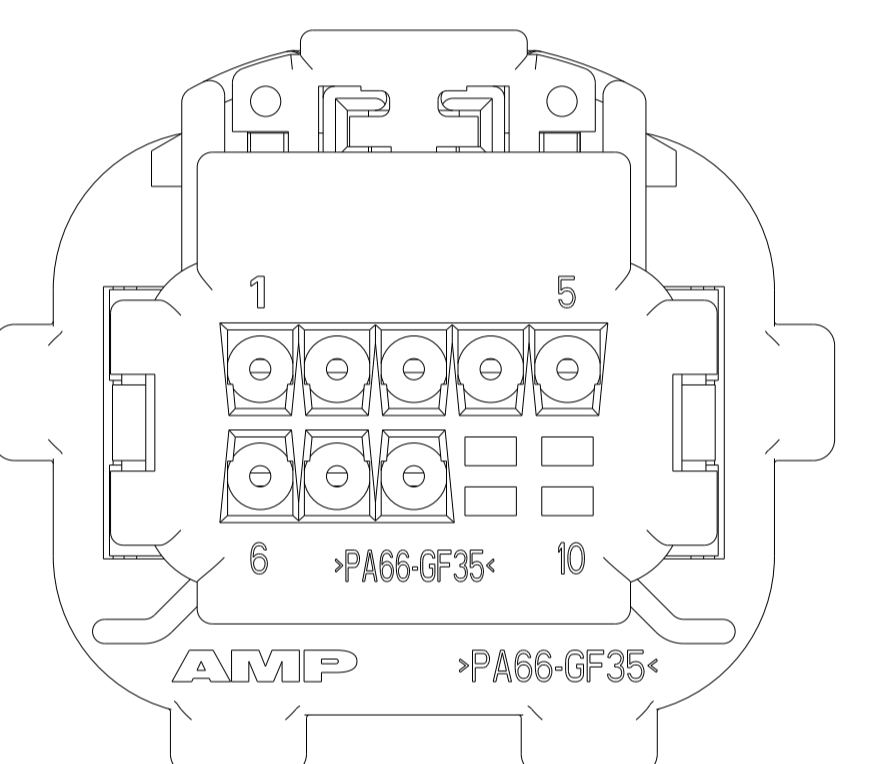
VIEW SHOWS COVER, FOR 2-638517-5



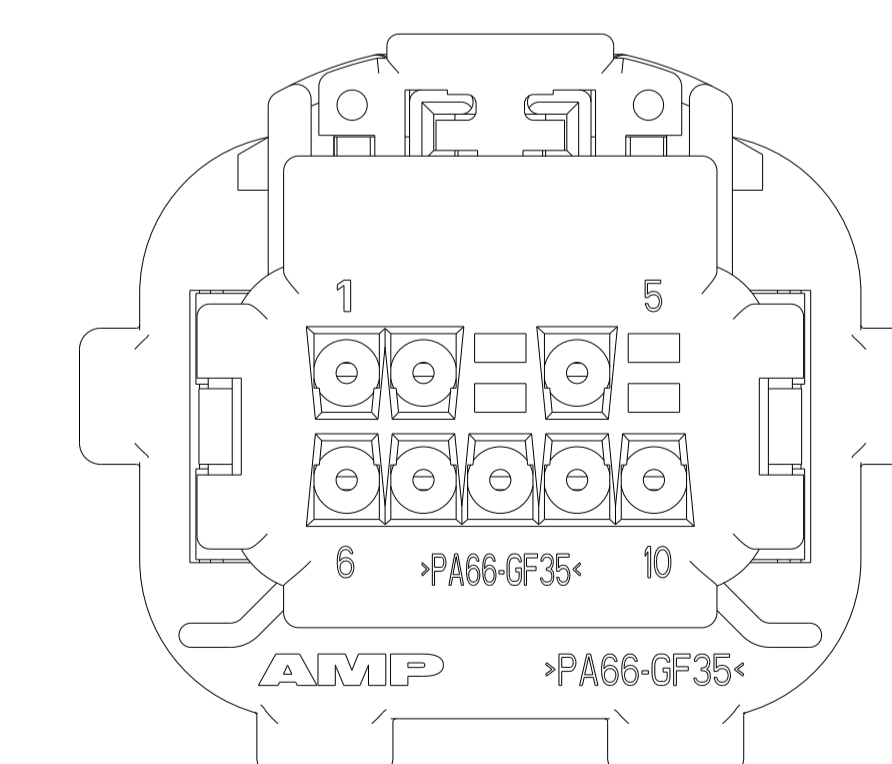
VIEW SHOWS COVER, FOR 2-638517-6



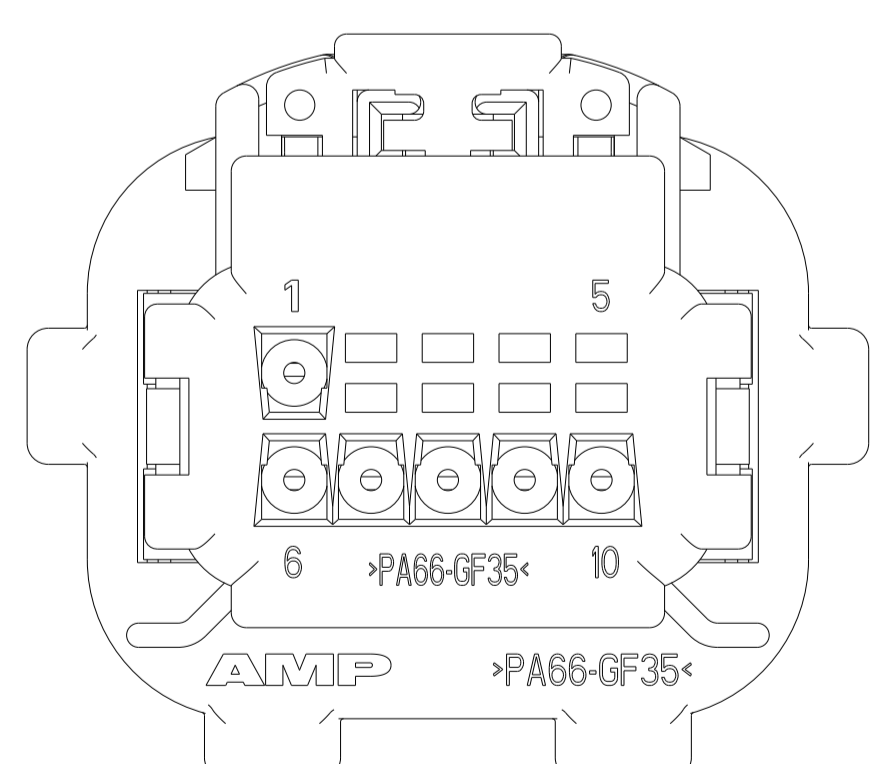
VIEW SHOWS COVER, FOR 2-638517-7



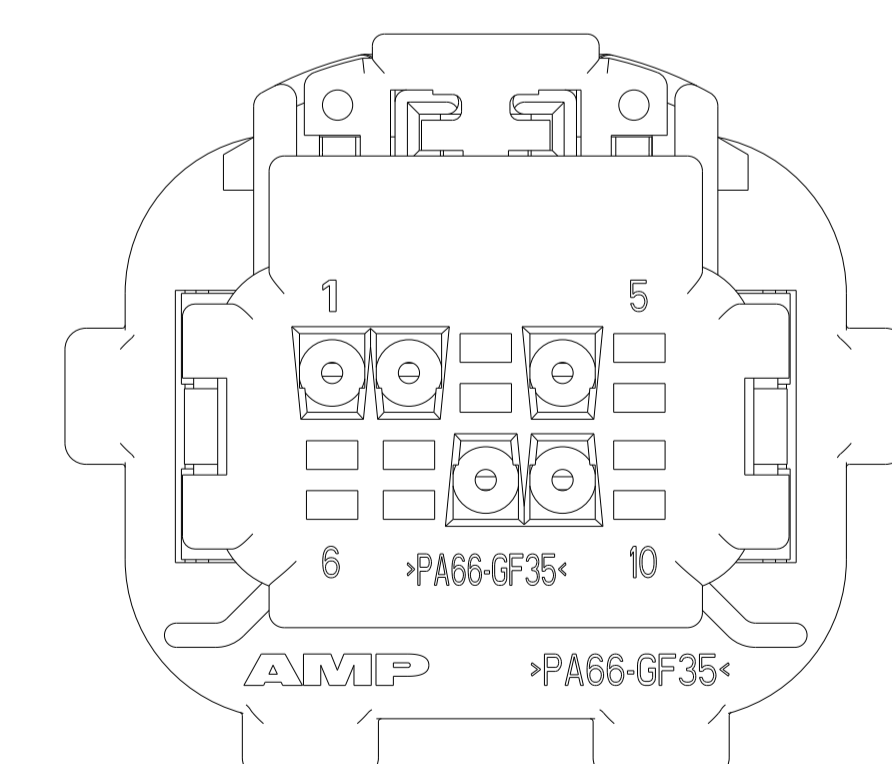
VIEW SHOWS COVER, FOR 2-638517-8



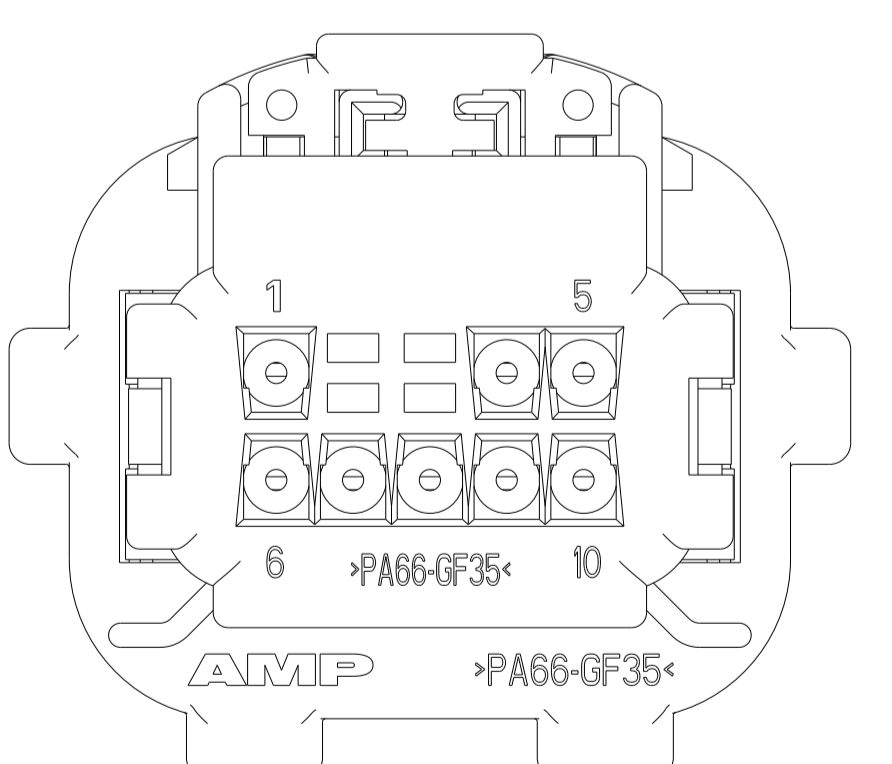
VIEW SHOWS COVER, FOR 2-638517-9



VIEW SHOWS COVER, FOR 3-638517-0



VIEW SHOWS COVER, FOR 3-638517-1



VIEW SHOWS COVER, FOR 3-638517-2

THIS DRAWING IS A CONTROLLED DOCUMENT.		OWN: F. FOLTZ 22FEB00	TE Connectivity
DIMENSIONS: mm		CHK: M. SHORE 08MAY01	
TOLERANCES UNLESS OTHERWISE SPECIFIED:		APPD: G. BALON 08MAY01	NAME: PLUG ASSEMBLY, 10 POSITION 2X5, SEALED, 0.64mm CONNECTOR
0 PLC ± 1 PLC ±0.2 2 PLC ±0.10 3 PLC ± 4 PLC ± ANGLES ± FINISH ±		PRODUCT SPEC: SAE/USCAR-2 8/97	
MATERIAL:		WEIGHT:	RESTRICTED TO:
CUSTOMER DRAWING		SIZE: A1 CAGE CODE: 00779 DRAWING NO: 638517	SCALE: 4:1 SHEET: 3 OF 3