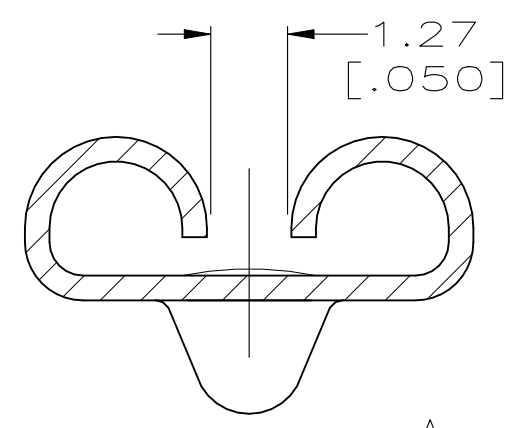
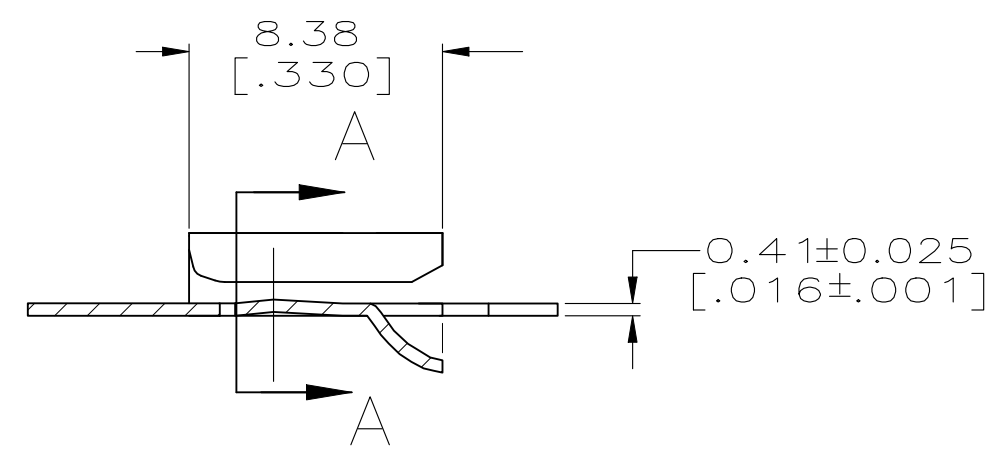
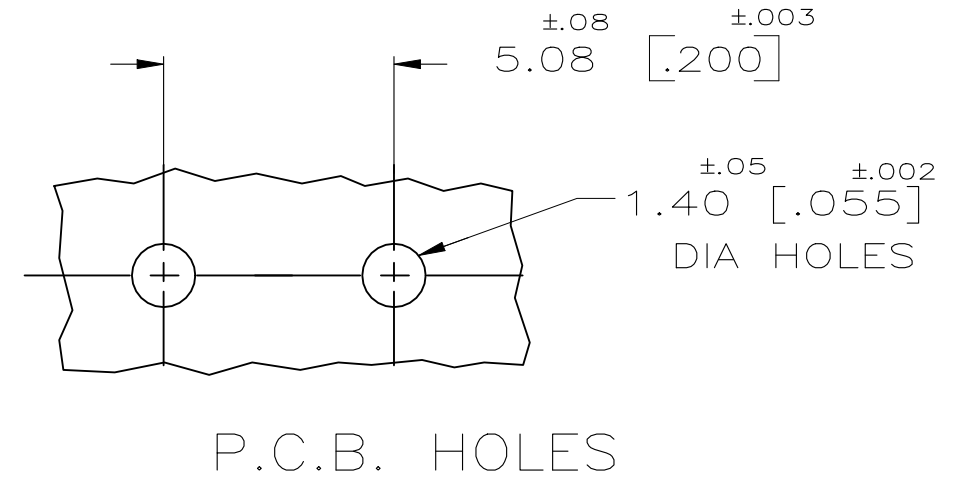
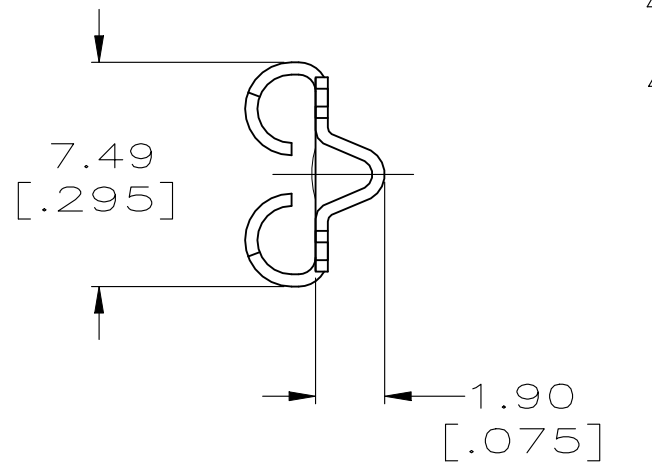
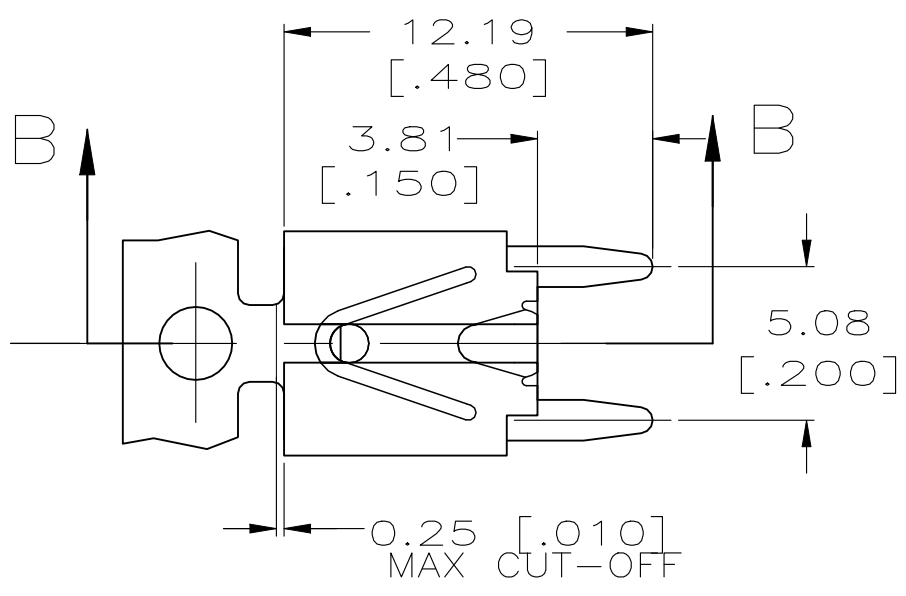


THIS DRAWING IS UNPUBLISHED. RELEASED FOR PUBLICATION  
 © COPYRIGHT - By - ALL RIGHTS RESERVED.

REVISIONS				
P	LTR	DESCRIPTION	DATE	APVD
G		REV PER ECN-23-241256	08MAY2024	DB BW

- 1 CONTINUOUS STRIP ON REELS.
- 2 0.00254 [.000100] MIN THK TIN OVER 0.00127 [.000050] MIN NICKEL
- 3 MATING TAB THK IS 0.635±0.025 [.025±.001].
- 4 REELED WITH INTERLEAVING
- 5 PRELIMINARY - NOT FOR PRODUCTION



SECTION A-A  
SCALE 8:1

SECTION B-B

SUPERSEDED BY -1	4	5	63994-2
	4		63994-1
PART NO.			

THIS DRAWING IS A CONTROLLED DOCUMENT.		DWN JR RUTH 3/12/97	<b>STE</b> TE Connectivity														
DIMENSIONS: MM [ INCHES ]		CHK MS FEHER 3/12/97															
TOLERANCES UNLESS OTHERWISE SPECIFIED:		APVD DAVE BRATINA 3/12/97	NAME RECEPTACLE, FASTON, 6.35/5.21 [.250/.205] SERIES, PC BOARD MOUNTED														
<table border="0"> <tr><td>0 PLC</td><td>± -</td></tr> <tr><td>1 PLC</td><td>± -</td></tr> <tr><td>2 PLC</td><td>± 0.25 [.010]</td></tr> <tr><td>3 PLC</td><td>± -</td></tr> <tr><td>4 PLC</td><td>± -</td></tr> <tr><td>ANGLES</td><td>± -</td></tr> </table>		0 PLC	± -	1 PLC	± -	2 PLC	± 0.25 [.010]	3 PLC	± -	4 PLC	± -	ANGLES	± -	PRODUCT SPEC -	APPLICATION SPEC -		
0 PLC	± -																
1 PLC	± -																
2 PLC	± 0.25 [.010]																
3 PLC	± -																
4 PLC	± -																
ANGLES	± -																
MATERIAL BRASS		FINISH TIN OVER NICKEL 2	114-2156	SIZE A3	CAGE CODE 00779												
CUSTOMER DRAWING			WEIGHT -	DRAWING NO C-63994	RESTRICTED TO -												
			SCALE 4:1	SHEET 1 OF 1	REV G												