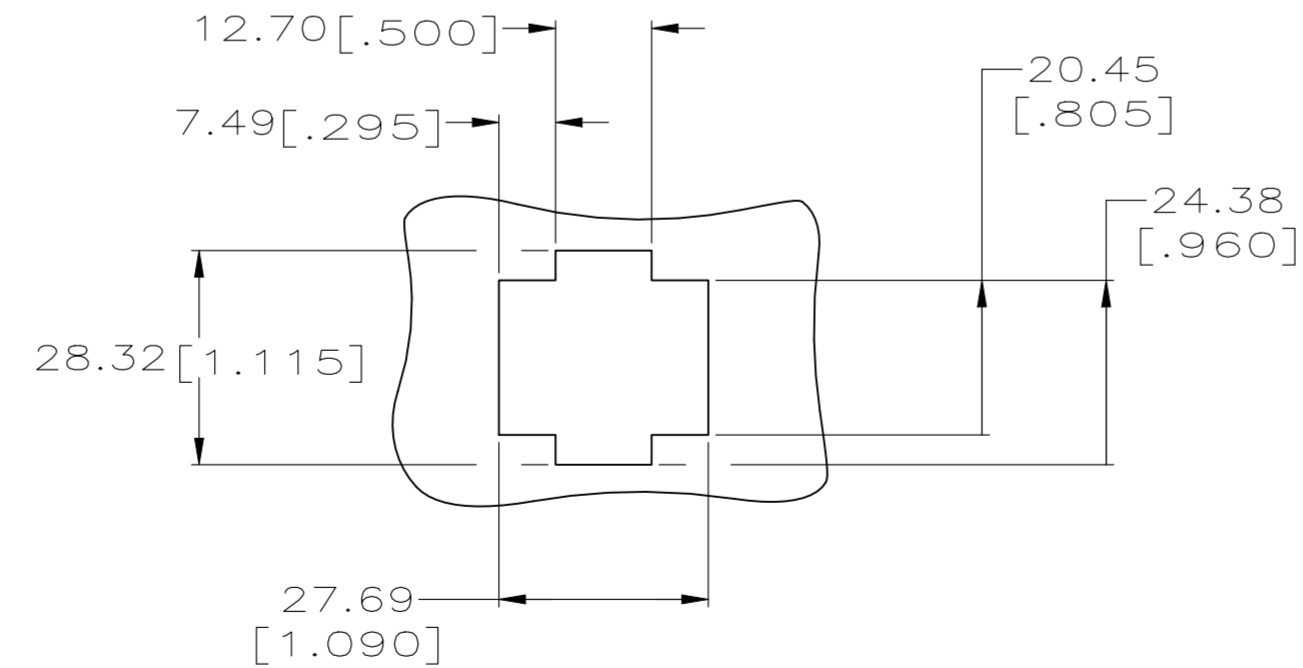
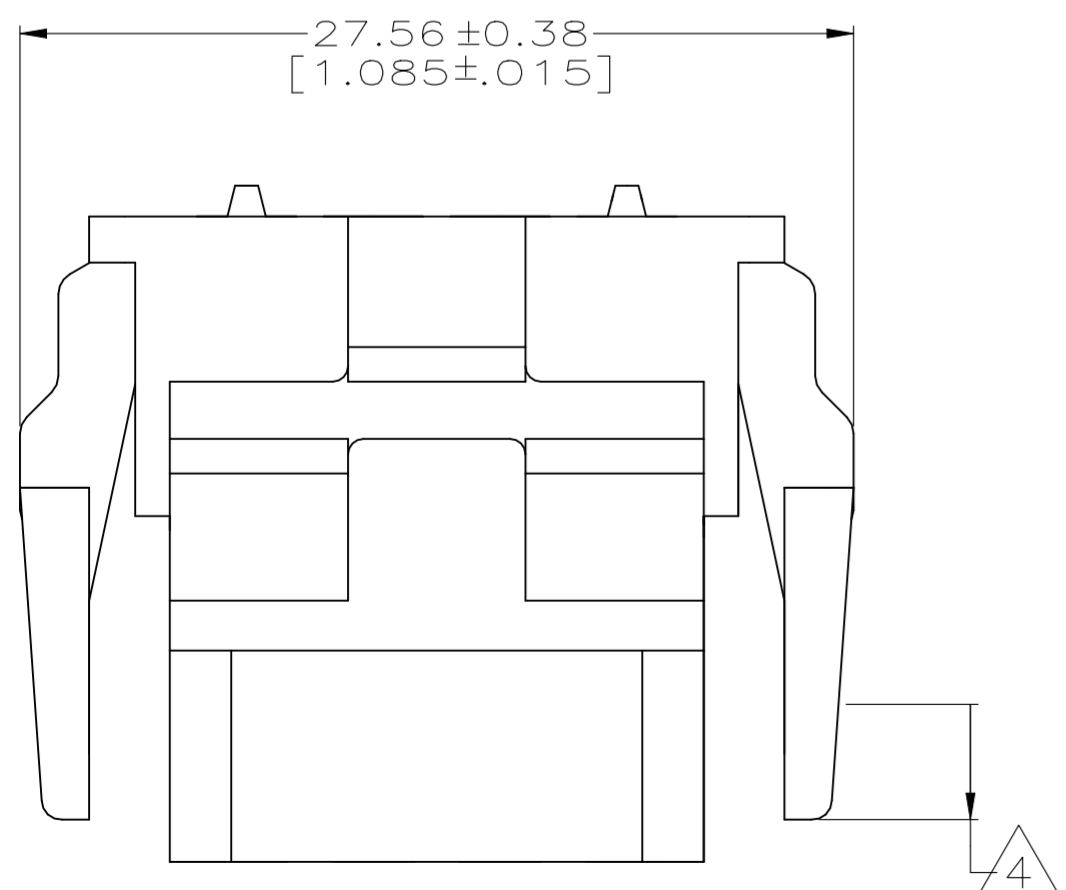
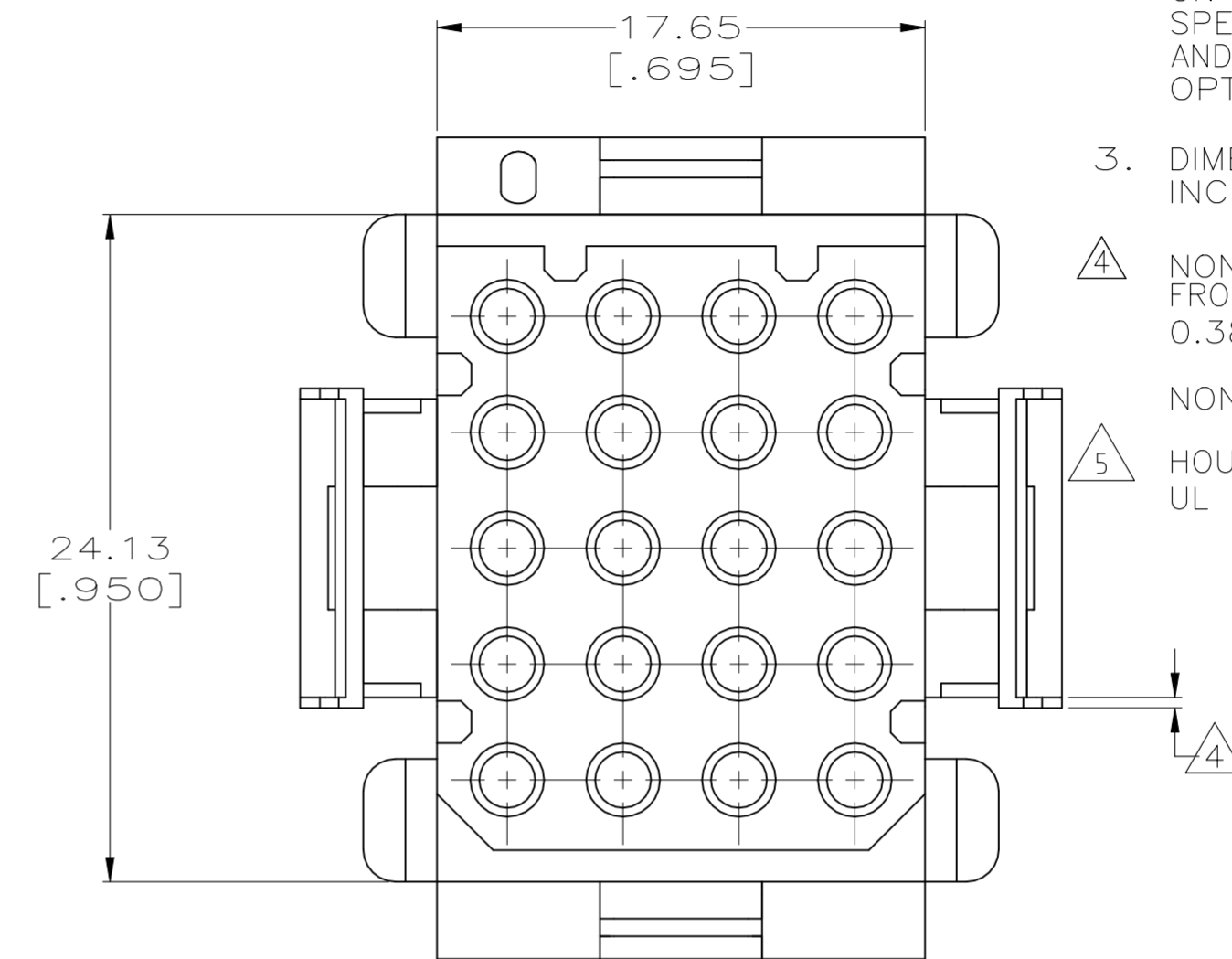
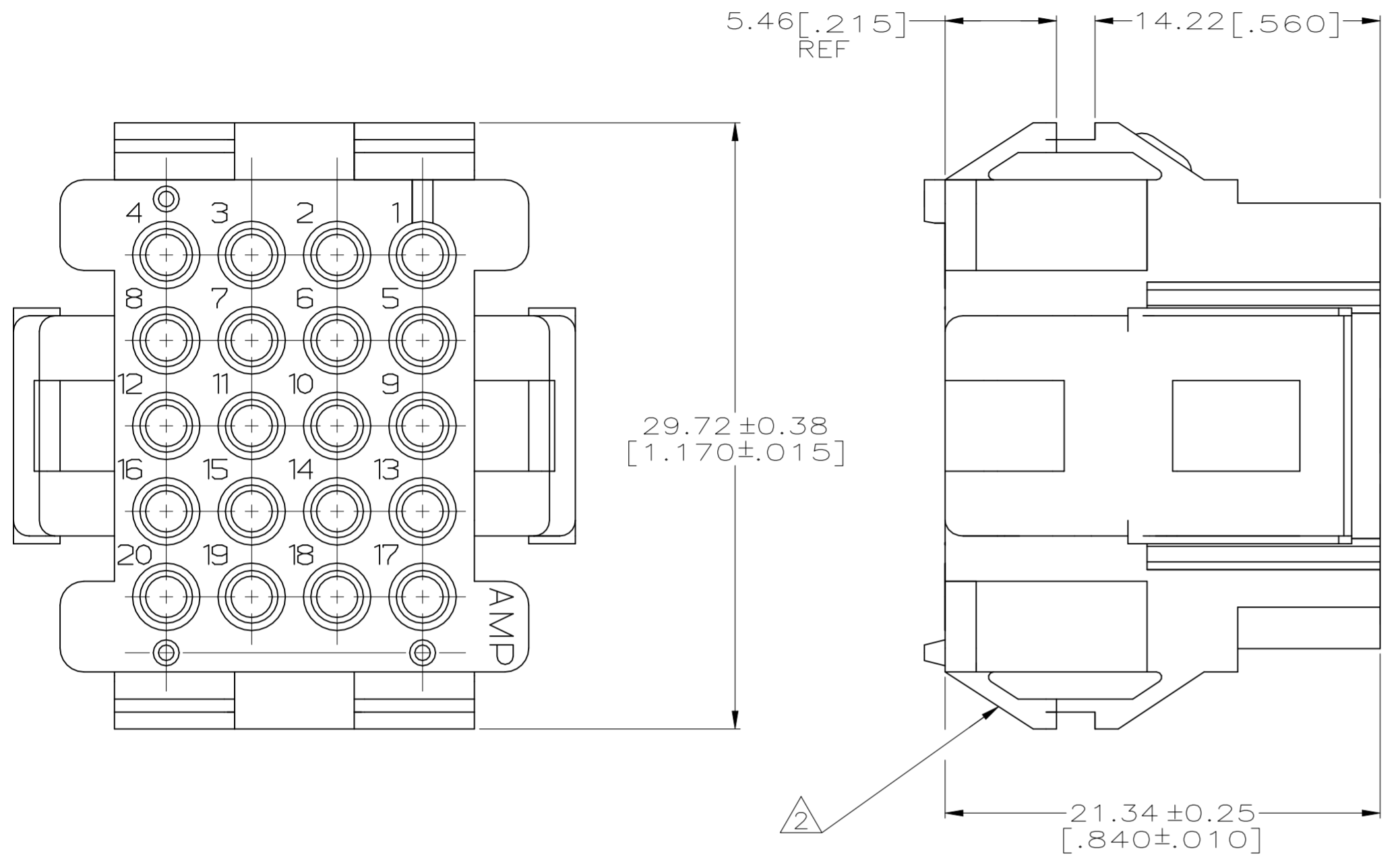


REVISIONS					
P	LTR	DESCRIPTION	DATE	DWN	APVD
F		ECO-21-006898	14DEC2021	RK	MZ

- MATES WITH HOUSING 640514.
- UL LOGO AND CSA LOGO TO APPEAR ON EITHER LATCH SURFACE PER AMP SPEC 202-20, I.D. NO. 1-18838-3 AND 1-18839-3. FROST BACKGROUND OPTIONAL.
- DIMENSIONS IN BRACKETS ARE IN INCHES.
- NON-FILL PERMITTED UP TO 3.8[.15] FROM EDGE OF LATCH ARM ON THE 0.38[.015] THICK FLANGE, 4 PLC. NON-FILL PERMITTED UP TO 3.8[.15]
- HOUSING MATERIAL: PA66, BLACK, UL 94 V-0 RATED



RECOMMENDED CUT OUT FOR 1.73[.068] MAX THICK PANEL SCALE 1:1

1-640524-0
PART NUMBER

THIS DRAWING IS A CONTROLLED DOCUMENT.		DWN R. VESTAL 12-01-97			
DIMENSIONS: mm [INCHES]		CHK R. SWING 12-01-97			
TOLERANCES UNLESS OTHERWISE SPECIFIED:		APVD A. BEDDICK 12-01-97	NAME HOUSING, PLUG MRII 20 POSITION		
0 PLC ± -		PRODUCT SPEC	SIZE	CAGE CODE	DRAWING NO
1 PLC ± -		APPLICATION SPEC	A2	00779	C=640524
2 PLC ± 0.13[.005]		WEIGHT	RESTRICTED TO		
3 PLC ± -		MATERIAL	-		
4 PLC ± -		FINISH	-		
ANGLES ± 0° 30'		CUSTOMER DRAWING	SCALE	SHEET	REV
MATERIAL		5	4:1	1 OF 1	F