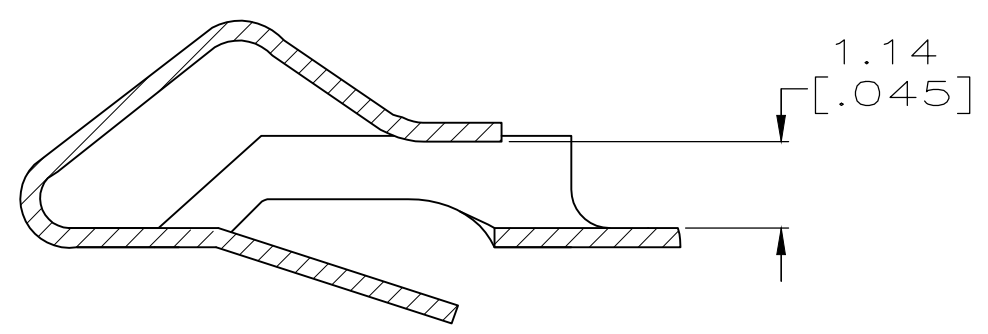
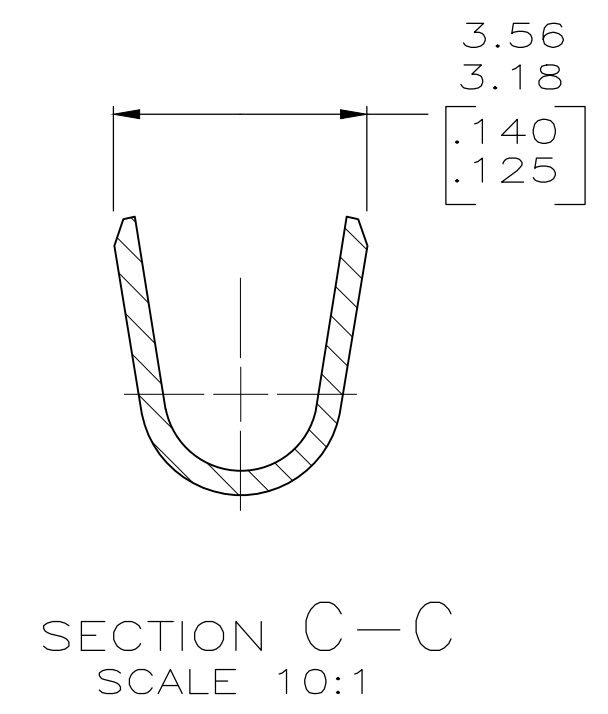
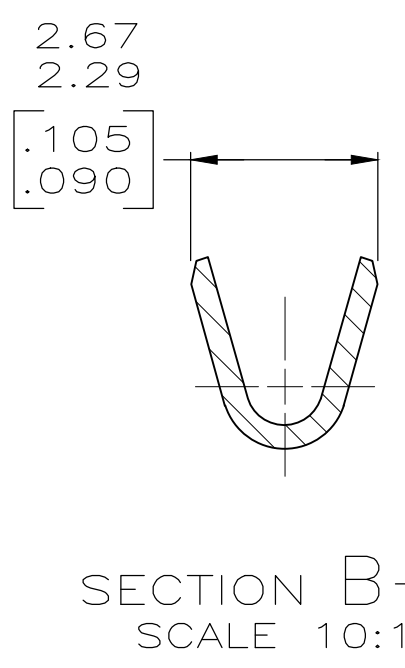
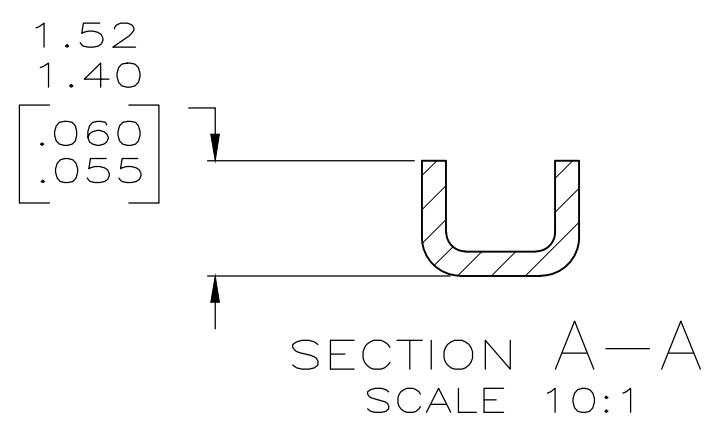
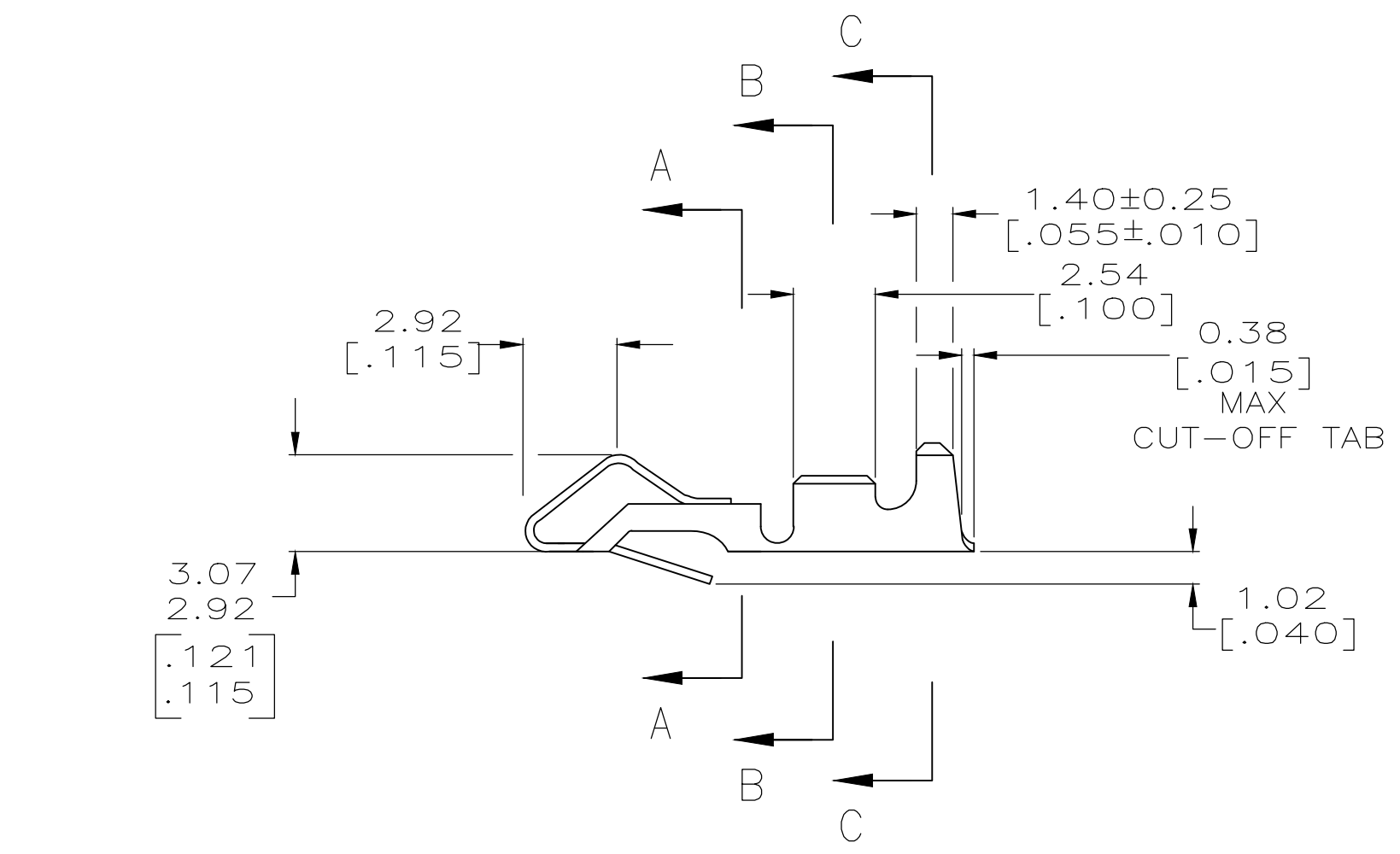
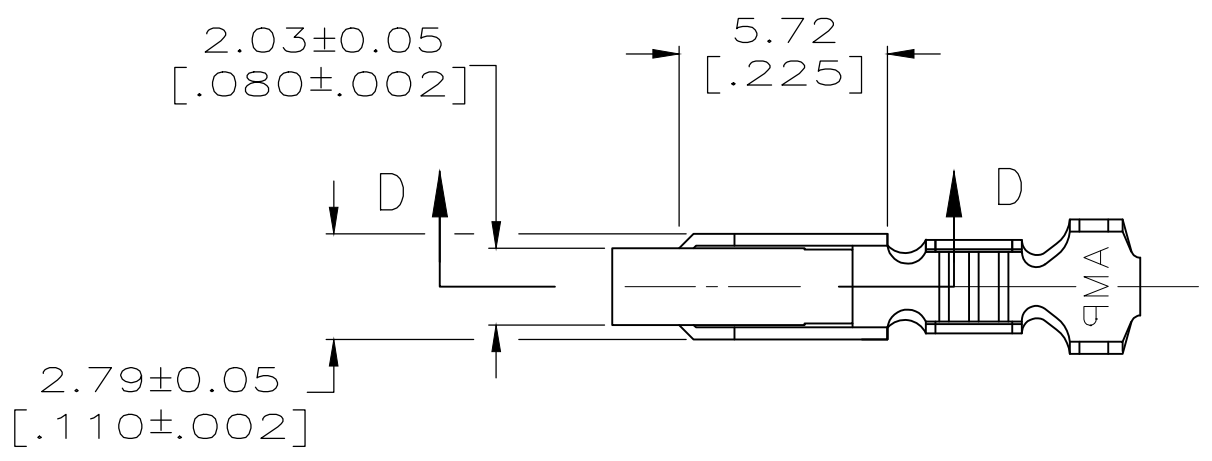


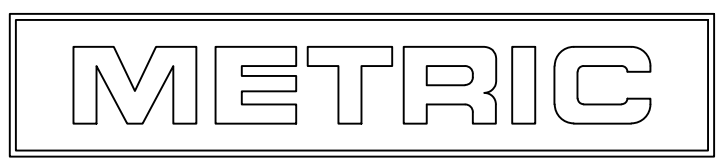
THIS DRAWING IS UNPUBLISHED. RELEASED FOR PUBLICATION
 © COPYRIGHT - By - ALL RIGHTS RESERVED.

| REVISIONS | | | | |
|-----------|-----|---------------------------|---------|--------|
| P | LTR | DESCRIPTION | DATE | APVD |
| E1 | | REVISED PER ECO-11-004820 | 11MAR11 | RK HMR |

- ① 0.00203 [.000080] MIN BRIGHT TIN-LEAD OVER
0.00127 [.000050] MIN NICKEL.
- ② 0.00330 [.000130] MAX PRE-TIN.
- 3. WIRE RANGE: 0.2-0.9mm² (24-18 AWG).
INSULATION RANGE: 2.79 [.110] DIA MAX.
- 4. DIMENSIONS IN BRACKETS ARE IN INCHES.
- ⑤ 0.00203 [.000080] MIN BRIGHT TIN OVER
0.00127 [.000050] MIN NICKEL.
- ⑥ OBSOLETE



SECTION D-D
SCALE 10:1



| | |
|--------|------------|
| ⑤ | 3-640706-1 |
| ② | 640706-2 |
| ① | ⑥ 640706-1 |
| FINISH | PART NO |

| | | | | |
|---|---------------------|----------------------------------|------------------------------------|---------------|
| THIS DRAWING IS A CONTROLLED DOCUMENT. | | DWN S. CARPENTER 21AUG2003 | TE Connectivity Ltd. | |
| DIMENSIONS: INCHES | | CHK J. ELLIS 21AUG2003 | RECEPTACLE, SL-156, LOOSE PIECE | |
| TOLERANCES UNLESS OTHERWISE SPECIFIED: | | APVD J. ELLIS 21AUG2003 | NAME | |
| 0 PLC ± | | PRODUCT SPEC | SIZE | CAGE CODE |
| 1 PLC ± | | APPLICATION SPEC | A2 | 00779 |
| 2 PLC ± 0.13 [.005] | | | DRAWING NO | RESTRICTED TO |
| 3 PLC ± | | | C-640706 | - |
| 4 PLC ± | | | SCALE | SHEET |
| ANGLES ± | | | 5:1 | 1 of 1 |
| MATERIAL 0.33 [.013] BRASS | FINISH SEE TABLE | WEIGHT 0.000000 | CUSTOMER DRAWING | REV E1 |

A/C BUSINESS GROUP 3323 177-34 'KIM SALMON'

640706